

Programming Manual

VNA Master™

MS20xxC

MS2026C Vector Network Analyzer

MS2027C Vector Network Analyzer

MS2028C Vector Network Analyzer

MS2036C Vector Network Analyzer and Spectrum Analyzer

MS2037C Vector Network Analyzer and Spectrum Analyzer

MS2038C Vector Network Analyzer and Spectrum Analyzer

Note

SCPI programming commands may not be available for all instrument operating modes and functions.

The Anritsu logo consists of the word "Anritsu" in a bold, sans-serif font. The letter "A" is stylized with a diagonal slash through it. The logo is positioned in the bottom right corner of the page.

Table of Contents

Chapter 1—General Information

1-1	About this Manual	1-1
1-2	Introduction	1-1
1-3	Contacting Anritsu	1-1
1-4	Remote Programming Setup and Interface	1-2
	Ethernet Interface Connection and Setup	1-2
	Connectivity	1-3
	MS20xxC LAN Connections	1-4
	USB Interface Connection and Setup	1-5
	USB Interface, Type Mini-B	1-7
1-5	Sending SCPI Commands	1-7

Chapter 2—Programming with SCPI

2-1	Introduction	2-1
2-2	Introduction to SCPI Programming	2-1
2-3	SCPI Common Commands	2-2
2-4	SCPI Required Commands	2-3
2-5	SCPI Optional Commands	2-3
2-6	Subsystem Commands	2-4
	Command Names	2-4
	Hierarchical Command Structure	2-5
	Query Commands	2-7
	Identifiers	2-7
	Data Parameters	2-8
	Data Parameter Notations	2-9
	Unit Suffixes	2-9
2-7	Notational Conventions	2-10
2-8	Notational Examples	2-11
	Command Terminators	2-11
2-9	Formatting Conventions	2-12
2-10	Command and Query Notational Conventions	2-12
	Examples:	2-12
2-11	Parameter Names	2-13

Table of Contents (Continued)

Chapter 3—VNA Commands

3-1	Introduction	3-1
	VNA Commands	3-1
3-2	:CALCulate Subsystem	3-2
	Trace Data Transfer	3-2
3-3	:CALCulate<Tr>:FILTer[:GATE] Subsystem	3-4
	Gate Coupling State	3-4
3-4	:CALCulate<Tr>:FILTer[:GATE]:DISTance Subsystem	3-5
	Gate Center Distance	3-5
	Gate Center Distance (continued)	3-6
	Distance Domain Gate Notch State	3-7
	Distance Domain Gate Shape	3-8
	Gate Span Distance	3-9
	Gate Start Distance	3-10
	Distance Domain Gate Display Settings	3-11
	Gate Stop Distance	3-12
3-5	:CALCulate<Tr>:FILTer[:GATE]:TIME Subsystem	3-13
	Gate Center Time	3-13
	Time Domain Gate Notch State	3-14
	Time Domain Gate Shape	3-15
	Gate Span Time	3-16
	Gate Start Time	3-17
	Time Domain Gate Display Setting	3-18
	Gate Stop Time	3-19
3-6	:CALCulate:FORMat Subsystem	3-20
	Graph Type	3-20

Table of Contents (Continued)

3-7	:CALCulate:LIMit Subsystem	3-21
	Limit Alarm	3-21
	Limit Fail	3-22
	Lower Limit Fail State	3-22
	Limit Pass/Fail	3-23
	Upper Limit Fail State	3-24
	Number of Lower Limit Points	3-24
	Add Lower Limit Point	3-25
	Delete Lower Limit Point	3-25
	Lower Limit Next Point Left	3-26
	Lower Limit Next Point Right	3-26
	Lower Limit Point X Value	3-27
	Lower Limit Point X Value (continued)	3-28
	Lower Limit Point Y Value	3-29
	Lower Limit State	3-30
	Lower Limit X Value	3-31
	Lower Limit X Value (continued)	3-32
	Lower Limit Y Value	3-33
	Number of Limit Points	3-33
	Add Limit Point	3-34
	Delete Limit Point	3-34
	Next Point Left	3-35
	Next Point Right	3-35
	Limit Point X Value	3-36
	Limit Point X Value (continued)	3-37
	Limit Point Y Value	3-38
	Limit State	3-39
	Limit Type	3-40
	Number of Upper Limit Points	3-40
	Add Upper Limit Point	3-41
	Delete Upper Limit Point	3-41
	Upper Limit Next Point Left	3-42
	Upper Limit Next Point Right	3-42
	Upper Limit Point X Value	3-43
	Upper Limit Point X Value (continued)	3-44
	Upper Limit Point Y Value	3-45
	Upper Limit State	3-46
	Upper Limit X Value	3-47
	Upper Limit X Value (continued)	3-48
	Upper Limit Y Value	3-49
	Limit X Value	3-50
	Limit X Value (continued)	3-51

Table of Contents (Continued)

	Limit Y Value	3-52
3-8	:CALCulate:MARKer Subsystem	3-53
	Turn All Markers Off.	3-53
	Marker Data	3-53
	Delta Marker Reference To	3-54
	Delta Marker State	3-55
	Marker Readout Format.	3-56
	Marker Domain Type	3-56
	Marker Readout Style	3-57
	Marker (Maximum) Peak Search	3-58
	Marker (Minimum) Valley Search	3-58
	Reference Marker State.	3-59
	Marker On Trace	3-60
	Marker Type.	3-61
	Marker X Value	3-62
	Marker X Value (continued).	3-63
	Marker Read Y Value	3-64
	Marker Read Y Value (continued)	3-65
3-9	:CALCulate:MATH Subsystem	3-66
	Trace To Memory	3-66
3-10	:CALCulate:SMOothing Subsystem	3-67
	Smoothing	3-67
3-11	:CALCulate:TRANSform Subsystem	3-68
	Maximum Distance	3-68
	Distance Resolution.	3-68
	Start Distance	3-69
	Stop Distance	3-69
	Distance Units	3-70
	Distance Domain Window Shape	3-71
	Maximum Time	3-72
	Time Resolution.	3-72
	Start Time	3-73
	Stop Time	3-73
	Reflection Calculation for Time Domain	3-74
	Time Domain Processing Type	3-74
	Time Domain Processing Mode.	3-75
	Time Domain Window Shape	3-76
	Get Distance List	3-77
	Band Pass Mode Response	3-78
	Get Time List	3-79
	Low Pass Mode Response	3-80

Table of Contents (Continued)

3-12	:Display Subsystem	3-81
	Trace Display	3-81
	Trace Format	3-81
	Group Delay Aperture	3-82
	Scale Resolution Per Division	3-83
	Scale Resolution Per Division (continued)	3-84
	Scale Reference Level	3-84
	Scale Reference Level (continued)	3-85
	Scale Reference Line	3-86
	Smith Chart Scalable Type	3-87
3-13	:Format Subsystem	3-88
	Numeric Data Format	3-88
3-14	:INITiate Subsystem	3-89
	Continuous/Single Sweep	3-89
	Hold Sweep	3-90
	Trigger Sweep/Measurement	3-90
3-15	:INPut Subsystem	3-91
	IF Gain Mode Setting	3-91
	Internal Bias Tee Current	3-92
	External Bias Tee Current	3-92
	External Bias Tee Tripped State	3-93
	External Bias Tee Voltage	3-93
	Internal Bias Tee Tripped State	3-93
	Internal Bias Tee Port Selection	3-94
	Bias Tee State	3-94
	Internal Bias Tee Voltage	3-95
3-16	:MMEMory Subsystem	3-96
3-17	:MMEMory:LOAD Subsystem	3-97
	Recall Setup	3-97
	Recall Measurement	3-98
3-18	:MMEMory:STORe Subsystem	3-99
	Save Setup	3-99
	Save Measurement	3-100
3-19	[:SENSe] Subsystem	3-101
3-20	[:SENSe]:APPLication Subsystem	3-102
	Application Self Test	3-102
	Application Self Test Result	3-102
3-21	[:SENSe]:AVERage Subsystem	3-103
	Restart Averaging	3-103
	Number of Traces to Average	3-103

Table of Contents (Continued)

3-22	[:SENSe]:CALibration Subsystem	3-104
	Calibration State	3-104
3-23	[:SENSe]:CORRection Subsystem	3-105
	Error Correction Data	3-105
	Error Correction Data (continued)	3-106
	Smith Chart Reference Impedance	3-106
	Calibration Correction State	3-107
3-24	[:SENSe]:CORRection:CKIT Subsystem	3-108
	Calibration Connector Information	3-108
3-25	[:SENSe]:CORRection:CKIT:USER Subsystem	3-114
	DUT User Inductance Coefficient value	3-114
	DUT User Capacitance Coefficient value	3-114
	DUT User Cutoff Frequency	3-115
	DUT User Name	3-115
	DUT User Open Offset	3-116
	DUT User Short Offset (SSLT)	3-116
	DUT User Short Offset (SSST)	3-117
	DUT User Short Offset for calibration method SOLT	3-117
3-26	[:SENSe]:CORRection:COLLect Subsystem	3-118
	Calibration Abort	3-118
	Calibration Steps	3-119
	Calibration Steps and Calibration Types:	3-120
	Calibration Steps and Calibration Types (continued):	3-121
	Calibration Steps and Calibration Types (continued):	3-122
	Calibration Step Status	3-123
	DUT Port Setup	3-124
	Configure Calibration Type	3-129
	Calibration Type	3-130
	Calibration Thru Line Length	3-131
	Calibration Thru Line Length	3-132
	Calibration Interpolation	3-132
	Calibration Line Type	3-133
	Calibration Method	3-133
	Calculate Calibration Data	3-133
	Calibration Status	3-134
	Calibration Accuracy Status	3-134
	Calibration Type	3-135

Table of Contents (Continued)

3-27	[:SENSe]:FREQuency Subsystem	3-136
	Center Frequency	3-136
	Frequency Span	3-137
	Distance Suggested Frequency Span	3-137
	Time Suggested Frequency Span	3-138
	Start Frequency	3-139
	Stop Frequency	3-140
	Get Frequency List	3-141
3-28	[:SENSe]:RFON[:STATe] Subsystem	3-141
	RF Power In Hold State	3-141
3-29	[:SENSe]:ROSCillator Subsystem	3-142
	Reference Frequency Oscillator	3-142
	External Reference Oscillator Frequency	3-142
3-30	[:SENSe]:SWEep Subsystem	3-143
	IF Bandwidth	3-143
	Number of Sweep Points	3-144
	Sweep Type	3-144
3-31	[:SENSe]:TRACe Subsystem	3-145
	Trace Domain	3-145
	Trace Select	3-146
	S Parameter	3-147
	Number of Traces	3-147
	Active Trace	3-148
3-32	:SOURce Subsystem	3-148
	Power Levels	3-148
3-33	:SOURce:CORRection:RVELocity Subsystem	3-149
	Propagation Velocity	3-149
	Cable Loss	3-149
	Cutoff Freq.	3-150
	DUT Line Type	3-150
	Waveguide Loss	3-151
3-34	:STATus Subsystem	3-152
	Query Operation Status	3-152
3-35	:SYSTEM Subsystem	3-153
	Motherboard Temperature	3-153
3-36	Trace Subsystem	3-153
	Trace Data Transfer	3-153
	Trace Header Transfer	3-154
	Trace Header Transfer (continued)	3-155
	Trace Header Transfer (continued)	3-164
	Trace Header Transfer (continued)	3-165

Table of Contents (Continued)

Chapter 4—Vector Voltmeter Commands

4-1	Introduction	4-1
4-2	VVM Commands	4-2
4-3	:MMEMory Subsystem	4-3
4-4	:MMEMory:LOAD Subsystem	4-4
	Recall Setup	4-4
	Recall Measurement	4-5
4-5	:MMEMory:STORe Subsystem	4-6
	Save Setup	4-6
	Save Measurement	4-7
4-6	:TRACe VVM Subsystem	4-8
	Trace Header Transfer	4-8
	Trace Header Transfer (continued)	4-9
	Trace Header Parameters	4-9
4-7	[:SENSe]:VVM Subsystem	4-11
	Return Measurement Format	4-11
	Measurement Mode	4-12
	Port	4-12
	Measurement Type	4-13
4-8	[:SENSe]:VVM:CABLe Subsystem	4-14
	Cable	4-14
4-9	[:SENSe]:VVM:FREQUency Subsystem	4-15
	CW Frequency	4-15
4-10	[:SENSe]:VVM:REFerence Subsystem	4-16
	Clear Reference	4-16
	Set Reference	4-16
4-11	:FETCh:VVM Subsystem	4-17
	Data	4-18
4-12	FETCh:VVM:REFerence Subsystem	4-20
	Reference Data	4-20

Chapter 5—Power Monitor Commands

5-1	Introduction	5-1
5-2	Power Monitor Commands	5-1
5-3	:TRACe Power Monitor Subsystem	5-2
	Trace Header Transfer	5-2
	Trace Header Parameters	5-3
5-4	:CALCulate Subsystem	5-4

Table of Contents (Continued)

5-5	:CALCulate:PMONitor Subsystem	5-5
	Offset	5-5
	Units	5-6
5-6	:CALCulate:PMONitor:RELative Subsystem	5-7
	Relative State	5-7
5-7	:CALCulate:PMONitor:ZERO Subsystem.	5-8
	Zero State	5-8
5-8	:FETCh:PMONitor Subsystem	5-9
	Displayed Data	5-9
5-9	:FETCh:PMONitor:RELative Subsystem	5-10
	Reference Power Level	5-10
5-10	:FETCh:PMONitor:ZERO Subsystem.	5-11
	Zero Power Level	5-11

Chapter 6—Spectrum Analyzer Commands

6-1	Introduction	6-1
	Spectrum Analyzer Commands	6-1
6-2	:ABORt Subsystem.	6-2

Table of Contents (Continued)

6-3	:CALCulate Subsystem	6-3
	Limit Alarm	6-3
	Move Limit to Current Center Frequency	6-3
	Create Limit Envelope	6-4
	Limit Envelope Offset	6-4
	Number of Limit Envelope Points	6-5
	Limit Envelope Shape	6-5
	Update Limit Envelope Frequency	6-6
	Update Limit Envelope Amplitude	6-6
	Limit Fail State	6-6
	Lower Limit Alarm	6-7
	Lower Limit Fail State	6-7
	Number of Lower Limit Points	6-7
	Lower Limit State	6-8
	Limit Line Type	6-9
	Limit Mirror	6-9
	Add Limit Point	6-9
	Delete Limit Point	6-10
	Next Point Left	6-10
	Next Point Right	6-10
	Limit Point X Value	6-11
	Limit Point Y Value	6-12
	Number of Limit Points	6-12
	Set Limit Line Upper or Lower	6-13
	Upper Limit Alarm	6-13
	Upper Limit Fail State	6-14
	Number of Upper Limit Points	6-14
	Upper Limit State	6-14
	Move Limit	6-15
	Add Vertical	6-15
	Limit X Value	6-16
	Limit Line Y Value	6-17
	Set Default Limit	6-17
	Limit State	6-18
	Turn All Markers Off	6-18
	Peak Threshold	6-19
	Marker Data	6-19
	Marker Table State	6-20
	Marker Noise	6-21
	Delta Marker X Value	6-22
	Delta Marker Read Y Value	6-22
	Delta Marker to Span	6-23

Table of Contents (Continued)

	Delta Marker State	6-23
	Marker Counter	6-24
	Marker Fixed State	6-24
	Marker (Maximum) Peak Search	6-25
	Marker (Maximum) Peak Search Left	6-25
	Marker (Maximum) Peak Search Next	6-25
	Marker (Maximum) Peak Search Right	6-26
	Marker Noise	6-26
	Marker X Value	6-27
	Marker Read Y Value	6-27
	Marker Frequency to Center	6-28
	Marker to Reference Level	6-28
	Marker State	6-28
6-4	:CONFigure Subsystem	6-29
	Configure Adjacent Channel Power Ratio	6-29
	Configure Channel Power	6-30
	Configure Field Strength	6-30
	Configure Occupied Bandwidth	6-31
	Measurement Mode	6-31
6-5	:DISPlay Subsystem	6-32
	Display Grid	6-32
	Scale	6-32
	Reference Level	6-33
	Reference Level Offset	6-33
6-6	:FETCh Subsystem	6-34
	Fetch Adjacent Channel Power Ratio	6-34
	Fetch Channel Power	6-34
	Fetch Channel Power Density	6-35
	Fetch Channel Power/Density	6-35
	Fetch Occupied Bandwidth Frequency	6-36
	Fetch Occupied Bandwidth	6-36
6-7	:FORMat Subsystem	6-37
	Numeric Data Format	6-38
6-8	:INITiate Subsystem	6-39
	Continuous/Single Sweep	6-39
	Trigger Sweep/Measurement	6-40

Table of Contents (Continued)

6-9	:MEASure Subsystem	6-41
	Measure Adjacent Channel Power Ratio	6-41
	Measure Channel Power	6-42
	Measure Channel Power Density	6-43
	Measure Channel Power/Density	6-44
	Measure Occupied Bandwidth	6-45
6-10	:MMEMory Subsystem	6-46
	Recall Limit	6-46
	Recall Setup	6-46
	Recall Measurement	6-47
	Save Limit	6-48
	Save Setup	6-48
	Save Measurement	6-49
6-11	:READ Subsystem	6-50
	Read Adjacent Channel Power Ratio	6-50
	Read Channel Power Density	6-51
	Read Channel Power	6-51
	Read Occupied Bandwidth	6-52
6-12	:TRACe Subsystem	6-53
	Trace Copy	6-53
	Trace Exchange	6-53
	Trace Header Transfer	6-54
	Trace Header Parameters	6-55
	Trace Data Transfer	6-59
	Trace View State	6-60
	Trace Write State	6-61
	Trace A Operation	6-62
	Trace B Operation	6-63
	Trace C Operation	6-64
6-13	:TRIGger Subsystem	6-65
	Trigger Source	6-65
	Video Trigger Position (time)	6-66
	Video Trigger Level	6-66
6-14	:UNIT Subsystem	6-67
	Measurement Units	6-67

Table of Contents (Continued)

6-15	[:SENSe] Subsystem	6-68
	ACPR Adjacent Channel Bandwidth	6-68
	ACPR Main Channel Bandwidth	6-68
	ACPR Channel Spacing	6-69
	ACPR Measurement State	6-69
	Number of Traces to Average	6-70
	Trace Mode (Normal/Average/Max Hold/Min Hold)	6-71
	Video Bandwidth	6-72
	Video Bandwidth Coupling	6-72
	Video Bandwidth to Resolution Bandwidth Ratio	6-73
	Video Bandwidth	6-73
	Resolution Bandwidth	6-74
	Resolution Bandwidth Coupling	6-74
	Resolution Bandwidth to Span Ratio	6-75
	Channel Power Integration Bandwidth	6-75
	Channel Power Measurement State	6-76
	Other Input Impedance Loss	6-76
	Input Impedance	6-77
	Detection Type	6-78
	Center Frequency	6-79
	Channel Selection	6-79
	Signal Standard	6-80
	Frequency Span	6-80
	Frequency Span – Full	6-81
	Frequency Span – Last	6-81
	Start Frequency	6-82
	Frequency Step	6-82
	Stop Frequency	6-83
	Field Strength Antenna	6-84
	Field Strength Measurement State	6-84
	Occupied Bandwidth Measurement Method	6-85
	Occupied Bandwidth Percent of Power	6-85
	Occupied Bandwidth Measurement State	6-86
	Occupied Bandwidth dB Down	6-86
	Input Attenuation	6-87
	Input Attenuation Coupling	6-87
	Preamp State	6-88
	Sweep Mode	6-88
	Sweep Status	6-88
	Minimum Sweep Time	6-89
	Actual Sweep Time	6-89
	Auto Sweep Time	6-89

Table of Contents (Continued)

Chapter 7—AM/FM/PM Commands

7-1	Introduction	7-1
	AM/FM/PM Analyzer Commands	7-1
7-2	:CALCulate Subsystem	7-2
7-3	:DISPlay Subsystem	7-6
7-4	:FORMat Subsystem	7-7
7-5	:INITiate Subsystem	7-9
7-6	:MMEMory Subsystem	7-10
7-7	:TRACe Subsystem	7-13
7-8	[:SENSe] Subsystem	7-14

Chapter 8—All Mode Commands

8-1	Introduction	8-1
8-2	All Mode Commands	8-1
8-3	:INSTrument Subsystem	8-2
	Query Available Modes	8-2
	Select Mode by Number	8-2
	Select Mode by Name	8-4
8-4	:MMEMory Subsystem	8-5
	Transfer Data	8-5
	Delete Data/Location	8-6
8-5	:MMEMory:MSIS Subsystem	8-7
	Save Location	8-7
	Copy From Current Save Location To Destination	8-7
	Destination of Copied Files	8-8
8-6	:MMEMory:STORe Subsystem	8-9
	Save Screen as JPEG	8-9
8-7	:SYSTem Subsystem	8-10
	Query Memory State	8-10
	Query Installed Options	8-10
	Preset	8-11
8-8	[:SENSe]:GPS Subsystem	8-12
	GPS State	8-12
	GPS Antenna Current	8-12
	GPS Receiver Reset	8-12
	GPS Antenna Voltage	8-13
8-9	:FETCh:GPS Subsystem	8-13
	Fetch GPS Fix Data	8-13

Table of Contents (Continued)

Appendix A—Example

A-1	Introduction	A-1
A-2	C/C++	A-1
A-3	Visual Basic	A-5
A-4	Visual Basic	A-7
A-5	LabVIEW™	A-10

Appendix B—List of All SCPI Commands

Appendix C—SCPI Commands by Mode

Chapter 1 — General Information

1-1 About this Manual

This SCPI Programming Manual provides information for remote operation of the MS20xxC Vector Network Analyzer (MS2026C, MS2027C, MS2028C, MS2036C, MS2037C, and MS2038C) using commands sent from an external controller via Ethernet or USB connection. This Programming Manual includes the following:

- An overview of Ethernet and USB connection to the MS20xxC
- An overview of Standard Commands for Programmable Instruments (SCPI) command structure and conventions
- The IEEE common commands that are supported by the MS20xxC
- A complete listing and description of all the SCPI commands that can be used to remotely control functions of the MS20xxC. These commands are organized by instrument mode and are listed in [Chapter 8, “All Mode Commands”](#).

This manual is intended to be used in conjunction with the VNA Master MS20xxC Vector Network Analyzer User Guide, Anritsu Part Number 10580-00306. Refer to that manual for general information about the MS20xxC, including equipment setup and operating instructions.

1-2 Introduction

This chapter provides a general description of remote programming setup, Ethernet and USB interface connections, and cable requirements.

1-3 Contacting Anritsu

To contact Anritsu, please visit:

<http://www.anritsu.com/contact-us>

From here, you can select the latest sales, select service and support contact information in your country or region, provide online feedback, complete a "Talk to Anritsu" form to have your questions answered, or obtain other services offered by Anritsu.

Updated product information can be found on the Anritsu website:

<http://www.anritsu.com/>

Search for the product model number. The latest documentation is on the product page under the Library tab.

1-4 Remote Programming Setup and Interface

Remote programming and operation of the MS20xxC is accessed via the Ethernet or USB interface. The following paragraphs provide information about the interface connections, cable requirements, and setup for remote operation.

Ethernet Interface Connection and Setup

The MS20xxC fully supports the IEEE-802.3 standard. Most MS20xxC functions (except power On/Off) can be controlled via an Ethernet connection to a PC that is connected directly (with an Ethernet cross-over cable) or through a network. The MS20xxC software supports the TCP/IP network protocol.

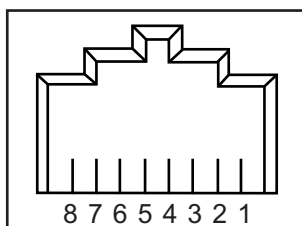
Ethernet networking uses a bus or star topology in which all of the interfacing devices are connected to a central cable called the bus, or are connected to a hub. Ethernet uses the CSMA/CD access method to handle simultaneous transmissions over the bus. CSMA/CD stands for *Carrier Sense Multiple Access/Collision Detection*. This standard enables network devices to detect simultaneous data channel usage (called a *collision*) and provides for a contention protocol. When a network device detects a collision, the CSMA/CD standard dictates that the data is retransmitted after waiting a random amount of time. If a second collision is detected, then the data is again retransmitted after waiting twice as long. This is known as exponential back off.

The TCP/IP setup requires the following:

- **IP Address:** Every computer/electronic device in a TCP/IP network requires an IP address. An IP address has four numbers (each between 0 and 255) separated by periods. For example: 128.111.122.42 is a valid IP address.
- **Subnet Mask:** The subnet mask distinguishes the portion of the IP address that is the network ID from the portion that is the station ID. The subnet mask 255.255.0.0, when applied to the IP address given above, would identify the network ID as 128.111 and the station ID as 122.42. All stations in the same local area network should have the same network ID, but different station IDs.
- **Default Gateway:** A TCP/IP network can have a gateway to communicate beyond the LAN that is identified by the network ID. A gateway is a computer or electronic device that is connected to two different networks and can move TCP/IP data from one network to the other. A single LAN that is not connected to other LANs requires a default gateway setting of 0.0.0.0. If you have a gateway, then the default gateway would be set to the appropriate value of your gateway.
- **Ethernet Address:** An Ethernet address (also known as a MAC address) is a unique 48-bit value that identifies a network interface card to the rest of the network. Every network card has a unique ethernet address permanently stored into its memory.

Interface between the MS20xxC and other devices on the network is via a category-five (CAT-5) interface cable that is connected to a network. This cable uses 4 twisted pairs of insulated copper wires that are terminated at an RJ45 connector. CAT-5 cabling is capable of supporting frequencies up to 100 MHz and data transfer speeds up to 1 Gbps, which accommodates 1000Base-T, 100Base-T, and 10Base-T networks. CAT-5 cables are based on the EIA/TIA 568 Commercial Building Telecommunications Wiring Standard developed by the Electronics Industries Association. A pinout diagram is shown in [Table 1-1](#).

Table 1-1. 8-pin Ethernet RJ45 Connector Pinout Diagram



Pin	Name	Description	Wire Color
1	TX+	Transmit data (> +3 volts)	White/Orange
2	TX-	Transmit data (< -3 volts)	Orange
3	RX+	Receive data (> +3 volts)	White/Green
4	—	Not used (common mode termination)	Blue
5	—	Not used (common mode termination)	White/Blue
6	RX-	Receive data (< -3 volts)	Green
7	—	Not used (common mode termination)	White/Brown
8	—	Not used (common mode termination)	Brown

Connectivity

TCP/IP connectivity requires setting up the parameters that are described at the beginning of this section. The following is a brief overview of how to set up a general LAN connection on the MS20xxC.

Note

You may need to consult your network documentation or network administrator for assistance in configuring your network setup.

MS20xxC LAN Connections

The RJ-45 connector is used to connect the MS20xxC to a local area network (LAN). Integrated into this connector are two LEDs. The amber LED (Light Emitting Diode) indicates the speed of the LAN connection (ON for 10 Mb/s and OFF for 100 Mb/s), and the green LED flashes to show that LAN traffic is present. The instrument IP address is set by pressing the **Shift** key, then the **System** (8) key, then the **System Options** soft key, and then the **Ethernet Config** soft key. The instrument IP address can be set automatically by using DHCP, or can be set manually by entering the desired IP address, gateway address, and subnet mask.

Note	<p>An active Ethernet cable must be connected to the MS20xxC before it is turned ON in order to enable the Ethernet port for DHCP or for a static IP address.</p> <p>Depending upon local conditions, the port may remain enabled when changing from DHCP to static IP address, when changing from static IP address to DHCP, or when temporarily disconnecting the Ethernet cable.</p> <p>If the port becomes disabled, ensure that an active Ethernet cable is attached to the MS20xxC, and then cycle the power OFF and back ON.</p>
-------------	-----------------------------------------------------------------------------------------------------------------------------------------------------------------------------------------------------------------------------------------------------------------------------------------------------------------------------------------------------------------------------------------------------------------------------------------------------------------------------------------------------------------------------------------

Dynamic Host Configuration Protocol (DHCP) is an Internet protocol that automates the process of setting IP addresses for devices that use TCP/IP, and is the most common method of configuring a device for network use. To determine if a network is set up for DHCP, connect the MS20xxC to the network and select DHCP protocol in the Ethernet Config menu.

Power cycle the MS20xxC. If the network is set up for DHCP, then the assigned IP address should be displayed briefly after the power-up sequence.

To display the IP address of the instrument, press the **Shift** key, then the **System** (8) key, then the **System Options** soft key, and then the **Ethernet Config** soft key.

USB Interface Connection and Setup

Note

For proper detection, Master Software Tools must be installed on the PC prior to connecting to the MS20xxC using the USB port. Master Software Tools provides the installation tools to install the USB and VISA drivers.

The Universal Serial Bus (USB) architecture is a high-performance networking standard that is considered “plug and play” compatible. The USB driver software is automatically detected and configured by the operating system of the devices that are connected to the bus. The MS20xxC conforms to the USB 2.0 standard and is a USB “full-speed” device that supports data rates of up to 10 Mbps with the following restrictions:

- One USB network can support up to 127 devices
- The maximum length of USB cables between active devices is 5 meters (for USB 2.0) and 3 meters (for USB 1.0)

To run the following example, you must have NI-VISA 2.5 or later installed on the controller PC, and you must select the VISA library (visa32.dll) as a reference in a Visual Basic project. For remote USB control, the controlling PC needs to have a version of VISA installed that supports USBTMC (USB Test and Measurement Class) devices.

1. Turn On power to the MS20xxC and controller PC and wait for the systems to power up completely.
2. Connect the USB cable mini-B connector to the MS20xxC.
3. Connect the USB cable A connector to the controller PC USB host port. The controller PC should indicate “New Hardware Found” if the combination of USB VID/PID/Serial Number has never been connected to this controller PC.



Figure 1-1. USB Found New Hardware Wizard

4. Select to allow the Wizard to search for and install the USB software automatically.

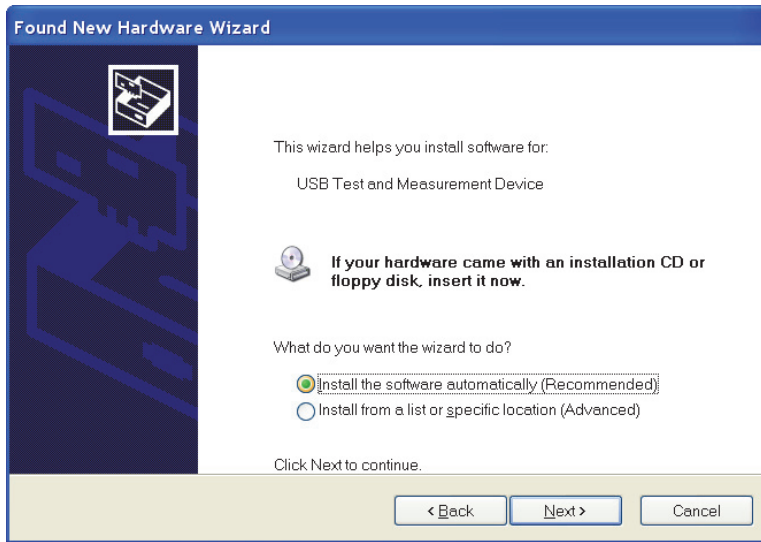


Figure 1-2. USB Found New Hardware Wizard

5. After the software is installed, close the Wizard by clicking Finish.

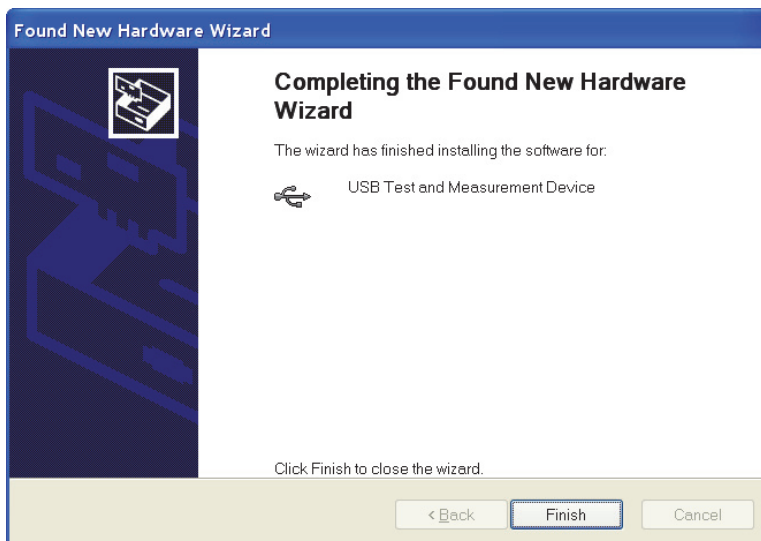


Figure 1-3. USB Found New Hardware Wizard

USB Interface, Type Mini-B

The USB 2.0 Mini-B device connector can be used to connect the MS20xxC directly to a PC. The first time that the MS20xxC is connected to a PC, the normal USB device detection is performed by the computer operating system. The CD-ROM that is shipped with the instrument contains a driver for Windows 2000, Windows XP, and Windows Vista. The driver is installed when Master Software Tools is installed.

Drivers are not available for earlier versions of the Windows operating system. During the driver installation process, place the CD-ROM in the computer drive and specify that the installation wizard should search the CD-ROM for the driver.

1-5 Sending SCPI Commands

SCPI commands can be sent to the MS20xxC through any Virtual Instrument Software Architecture (VISA) controller. VISA is a commonly-used API in the Test and Measurement industry for communicating with instruments from a PC. The physical connection between the PC and the MS20xxC can be Ethernet or USB.

NI-VISA is the National Instruments implementation of the VISA I/O standard. Information and downloads are available at the following link:

<http://www.ni.com/visa/>

The following example describes the verification that a VISA controller can detect the MS20xxC.

Note The images shown and the instructions for your instrument and software may differ from the examples in this manual.

1. On the PC, run VISA Interactive Control and double click on the MS20xxC.

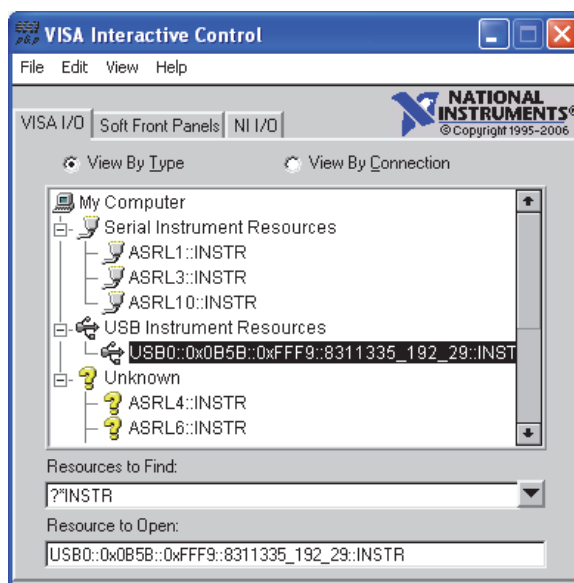


Figure 1-4. VISA Interactive Control

2. Select the viWrite tab and execute the default *IDN? write by clicking the Execute button.



Figure 1-5. VISA Interactive Control viWrite Tab

3. Select the viRead tab and click the Execute button. If the PC is connected to the MS20xxC, then the command returns the following information from the Buffer: manufacturer name ("Anritsu"), model number/options, serial number, and firmware package number.

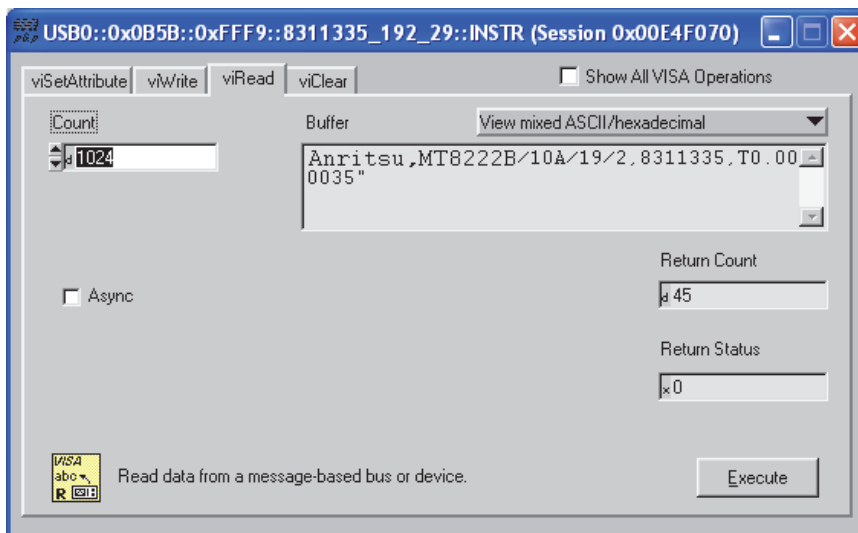


Figure 1-6. VISA Interactive Control viRead Tab

Chapter 2 — Programming with SCPI

2-1 Introduction

This chapter provides an introduction to SCPI programming that includes descriptions of the command types, hierarchical command structure, command subsystems, data parameters, and notational conventions.

2-2 Introduction to SCPI Programming

The Standard Commands for Programmable Instruments (SCPI) defines a set of standard programming commands for use by all SCPI-compatible instruments. SCPI is intended to give the user a consistent environment for program development. It does so by defining controller messages, instrument responses, and message formats for all SCPI-compatible instruments. SCPI commands are messages to the instrument to perform specific tasks. The MS20xxC command set includes:

- “SCPI Common Commands” on page 2-2
- “SCPI Required Commands” on page 2-3
- “SCPI Optional Commands” on page 2-3

Caution

Programs that receive SCPI commands may require support for Extended ASCII character codes in order to display some of the returned characters, such as Greek letter mu (μ). Some commands, for example, return the units of time in microseconds (μs). In this Anritsu programming manual, the Greek letter mu is represented by the English letter “u” to avoid typographic problems during publication.

Note

The MS20xxC follows the SCPI standard but is not fully compliant with that standard.

The main reason that MS20xxC is not fully compliant is because it does not support all of the required SCPI commands, and because it uses some exceptions in the use of short form and long form command syntax.

SCRE for SCREEn and TYP for TYPE are two examples of the command short forms that are used in MS20xxC in order to be compatible with older products.

2-3 SCPI Common Commands

Some common commands are defined in the IEEE 488.2 standard and must be implemented by all SCPI compatible instruments. These commands are identified by the asterisk (*) at the beginning of the command keyword. These commands are defined to control instrument status registers, status reporting, synchronization, and other common functions. The common commands that are supported by the MS20xxC are shown below.

*IDN?

Title: Identification Query

Description: This command returns the following information in <string> format separated by commas: manufacturer name (“Anritsu”), model number/options, serial number, firmware package number. The model number and options are separated by a “/” and each option is separated by a “/”.

For example, the return string might appear as follows:

```
"Anritsu,MS2028C/10/2,62011032,1.23"
```

*RST

Title: Reset

Description: This command restores parameters in the current application as well as system settings to their factory default values.

System settings that are affected by this command are Ethernet configuration, language, volume, and brightness. Note that the instrument will power cycle after this command is executed.

Front Panel

Access: Shift-8 (System), System Options, Reset, Factory Defaults

See Also: :SYSTem:PRESet

Note

The best practice when starting any remote program is to reset the instrument to a known state. This is especially important when the instrument is being used in both remote and front-panel operation. Use the ***RST** or the **:SYSTem:PRESet** command to restore the instrument to the factory default settings. If using Ethernet to connect to the instrument, then note that the use of ***RST** resets the Ethernet configuration and causes the instrument to reboot, which may reset the instrument IP address. If resetting the Ethernet configuration is not desired, then you may choose to use **:SYSTem:PRESet**.

Operating the instrument through the front panel and remotely at the same time could, under certain conditions, cause the instrument to hang up. To avoid conflicts, do not mix front-panel operation and remote operation.

2-4 SCPI Required Commands

The required SCPI commands that are supported by the MS20xxC are listed in the [Table 2-1](#). These commands work in all measurement modes and are described in [Chapter 3 on page 3-1](#)

Table 2-1. SCPI Required Commands

:STATus
:SYSTem

2-5 SCPI Optional Commands

[Table 2-2](#) lists the optional SCPI commands that comprise the majority of the command set that is described in this document. These commands control most of the programmable functions of the MS20xxC.

Table 2-2. SCPI Optional Commands

:ABORt	:FETCh	:INSTRument	:SOURce
:CALCulate	:FORMat	:MEASure	:TRACe
:CALibration	:INITiate	:MMEMory	:UNIT
:DISPlay	:INPut	:SENSe	: [SENSe]

The SCPI optional commands are sorted by measurement modes, and commands may be repeated in more than one mode.

- [Chapter 3, “VNA Commands”](#)
- [Chapter 4, “Vector Voltmeter Commands”](#)
- [Chapter 5, “Power Monitor Commands”](#)
- [Chapter 8, “All Mode Commands”](#)

2-6 Subsystem Commands

Subsystem commands control all instrument functions and some general purpose functions. All subsystem commands are identified by the colon that is used between keywords, as in `:INITiate:CONTinuous`.

The following information is provided for each subsystem command that is described in the following chapters:

- The command name (“[Command Names](#)” on page 2-4).
- The path from the subsystem root command (“[Hierarchical Command Structure](#)” on page 2-5).
- The query form of the command (if applicable) (“[Query Commands](#)” on page 2-7).
- The command title.
- A description of the purpose of the command.
- The data parameters that are used as arguments for the command (described in Section “[Data Parameters](#)” on page 2-8). This may include the parameter type and the available parameter choices.

Command Names

Typical SCPI commands consist of one or more keywords, parameters, and punctuation. SCPI command keywords can be a mixture of UPPERCASE and lowercase characters. Except for common commands, each keyword has a long form and a short form.

In this manual, the long form is presented with the short form portion in UPPERCASE and the remainder in lowercase. For example, the long form of the command keyword to control the instrument display is `:DISPLay`, and the short form is `:DISP`.

The short form keyword is usually the first four characters of the long form (example: `:CALC` for `:CALCulate`). The exception to this is when the long form is longer than four characters and the fourth character is a vowel. In such cases, the vowel is dropped and the short form becomes the first three characters of the long form. Example: the short form of the keyword `:POWer` is `:POW`.

Some command keywords may have a numeric suffix to differentiate between multiple instrument features such as multiple trace options. For example; keywords `:TRACe[:DATA]{1|2|3}`, `:TRACe1`, or `:TRACe3`.

Note

In the previous paragraph, `:TRACe` is identical to `:TRACe1`. If a numeric suffix is not included in a command, then the first option is implied. Braces (curly brackets) `{ }` designate optional keyword parameters. Square brackets `[]` designate optional command keywords.

As with any programming language, the exact command keywords and command syntax must be used. The syntax of the individual commands is described in detail in the programming command chapters. Unrecognized versions of long form or short form commands, or improper syntax, generate an error.

Long Format versus Short Format

Each keyword has a long format and a short format. The start frequency can be specified by :SENSE:FREQUENCY:START or :SENS:FREQ:STAR. The capital letters in the command specification indicate the short form of the command. A mixture of the entire short form elements with entire long form elements of each command is acceptable. For example, :SENS:FREQUENCY:STAR is an acceptable form of the command. However, :SENS:FREQUen:STAR is not an acceptable form of the command because :FREQUen is neither the short form nor the entire long form of the command element.

Hierarchical Command Structure

All SCPI commands, except the common commands, are organized in a hierarchical structure similar to the inverted tree file structure that is used in most computers. The SCPI standard refers to this structure as “the Command Tree.” The command keywords that correspond to the major instrument control functions are located at the top of the command tree. The root command keywords for the MS20xxC SCPI command set are shown in [Figure 2-1](#).

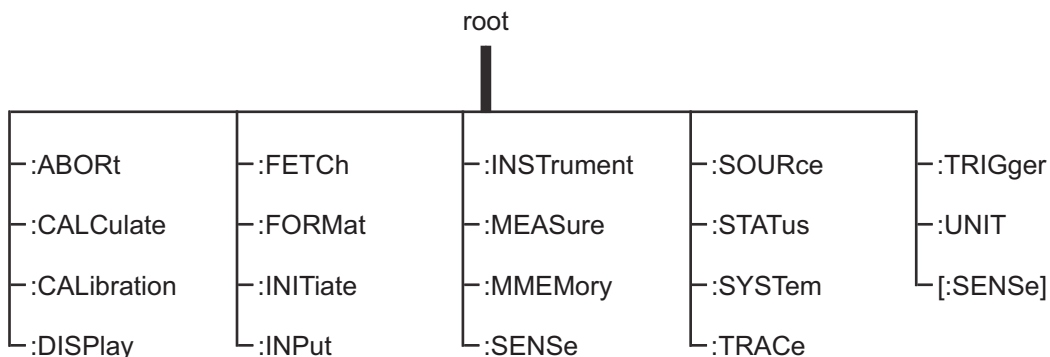


Figure 2-1. SCPI Command Tree

All MS20xxC SCPI commands, except the :ABORT command, have one or more subcommands (keywords) associated with them to further define the instrument function to be controlled. The subcommand keywords may also have one or more associated subcommands (keywords). Each subcommand level adds another layer to the command tree. The command keyword and its associated subcommand keywords form a portion of the command tree called a command subsystem. The :DISPlay command subsystem is shown in Figure 2-2.

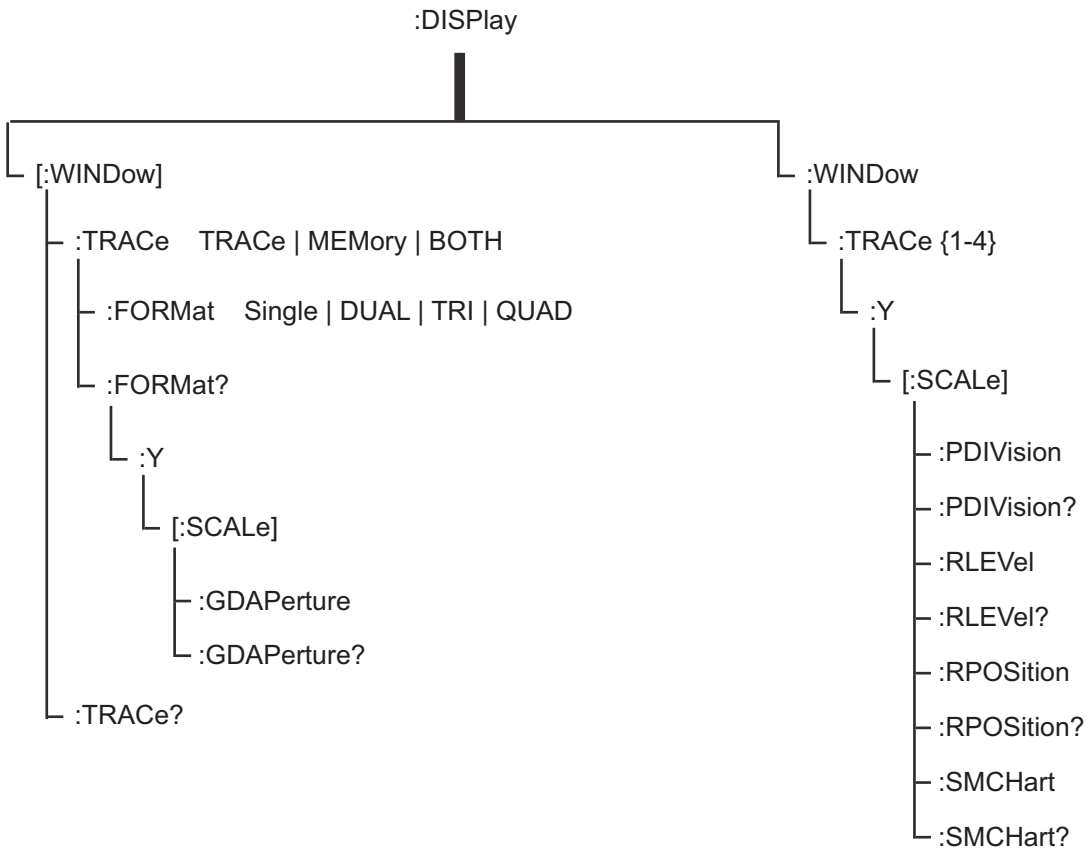


Figure 2-2. SCPI :DISPlay Subsystem

A colon (:) separates each subsystem. For example, the command :DISPlay:WINDow:Trace MEMory sets the window to display memory trace. Trace is part of the :WINDow subsystem, which is part of the :DISPlay subsystem. Y is also part of the :DISPlay:WINDow:Trace{1-4} subsystem.

Query Commands

All commands, unless specifically noted in the commands syntax descriptions, have a query form (refer also to [Section 2-10 “Command and Query Notational Conventions” on page 2-12](#)). As defined in IEEE-488.2, a query is a command with a question mark symbol appended (examples: *IDN? and :TRACe[:DATA]? [1] | 2 | 3 | 4). When a query form of a command is received, the current setting that is associated with the command is placed in the output buffer. Query commands usually return the short form of the parameter. Boolean values are returned as 1 or 0, even when they can be set as on or off.

Identifiers

Some or all of the following identifiers have been used throughout the optional command definitions. Descriptions are provided here. In most cases, units are specified with the individual command.

Table 2-3. Description of Command Identifiers

Identifier	Description
<amplitude>	Amplitude value. Units specified with the command.
<freq>	Frequency. Units specified with the command.
<integer>	Integer value, no units. Range specified with the command.
<number>	Numeric value, integer or real.
<percentage>	Percentage value from 0 to 100. Units are always %.
<rel ampl>	Relative amplitude. Units are always dB.
<x-parameter>	Parameter value in the units of the x-axis. Units are specified with the command.
<string>	The string should be enclosed in either single quotes (' ') or double quotes (" ").
<file name>	The name should be enclosed in either single quotes (' ') or double quotes (" "). The need for an extension is documented with applicable commands.
<voltage>	Voltage. Units specified with the command.
<current>	Current. Units specified with the command.

Data Parameters

Data parameters, referred to simply as “parameters,” are the quantitative values that are used as arguments for the command keywords. The parameter type that is associated with a particular SCPI command is determined by the type of information that is required to control the particular instrument function. For example, Boolean (ON | OFF) type parameters are used with commands that control switch functions.

Some command descriptions specify the type of data parameter that is to be used with each command. The most commonly used parameter types are numeric, extended numeric, discrete, and Boolean.

Numeric

Numeric parameters comprise integer numbers or any number in decimal or scientific notation, and may include polarity signs. This includes <NR1>, <NR2>, and <NR3> numeric data as defined in “Data Parameter Notations” on page 2-9. Parameters that accept all three <NR> formats are designated <NRf> throughout this document.

Extended Numeric

Extended numeric parameters include values such as MAXimum and MINimum.

Discrete

Discrete parameters, such as INTernal and EXTernal, are used to control program settings to a predetermined finite value or condition.

Boolean

Boolean parameters represent binary conditions and may be expressed as ON|OFF|<Numeric Value>. In the case of Numeric Value, if the integer conversion results in a 1 or any other non-zero value, then the Boolean value is interpreted as 1 (ON). Otherwise, the Boolean value is 0 (OFF). Boolean parameters are always returned by query commands as 1 or 0 in numeric value format.

Data Parameter Notations

The following syntax conventions are used for data parameter descriptions in this manual:

Table 2-4. Parameter Notations

<arg>	::=a generic command argument consisting of one or more of the other data types
<bNR1>	::=boolean values in <NR1> format; numeric 1 or 0
<boolean>	::=ON OFF. Can also be represented as 1 or 0, where 1 means ON and 0 means OFF Boolean parameters are always returned as 1 or 0 in <NR1> format by query commands
<integer>	::=an unsigned integer without a decimal point (implied radix point)
<NR1>	::=a signed integer without a decimal point (implied radix point)
<NR2>	::=a signed number with an explicit radix point
<NR3>	::=a scaled explicit decimal point numeric value with an exponent (for example, floating point number)
<NRf>	::=<NR1> <NR2> <NR3>
<nv>	::=SCPI numeric value: <NRf> MINimum MAXimum UP DOWN DEFault NAN (Not A Number), INFinity NINFinity (Negative Infinity), or other types
<char>	::=<CHARACTER PROGRAM DATA> Examples: CW, FIXed, UP, and DOWN
<string>	::=<STRING PROGRAM DATA> ASCII characters surrounded by double quotes For example: "OFF"
<block>	::=IEEE-488.2 block data format
<NA>	::=Not Applicable

Unit Suffixes

Unit suffixes are not required for data parameters, provided the values are scaled for the global default units. The MS20xxC SCPI default units are: Hz (Hertz) for frequency-related parameters, s (seconds) for time-related parameters, and m (meters) for distance-related parameters.

If the command accepts a terminator, then the following are the available unit choices:

- <freq> accepts GHZ (Giga Hertz), MHZ or MAHZ (Mega Hertz), KHZ (Kilo Hertz), HZ (Hertz)
- <time> accepts PS (picosecond), NS (nanosecond), US (microsecond), MS (millisecond), S (Second)
- <distance> in meters accepts MM (millimeter), M (meter)
- <distance> in feet accepts FT (feet)

2-7 Notational Conventions

The SCPI interface standardizes command syntax and style to simplify the task of programming across a wide range of instrumentation. As with any programming language, the exact command keywords and command syntax must be used. Unrecognized commands or improper syntax will not function.

Table 2-5. Notational Conventions

:	A colon links command keywords together to form commands. The colon is not an actual part of the keyword, but is a signal to the SCPI interface parser. A colon must precede a root keyword immediately following a semicolon (see “ Notational Examples ” on page 2-11).
;	A semicolon separates commands if multiple commands are placed on a single program line.
[]	Square brackets enclose one or more optional keywords.
{ }	Braces enclose one or more keyword or command parameters that may be included one or more times.
	A vertical bar indicates “or” and is used to separate alternative parameter options. Example: ON OFF is the same as ON or OFF.
< >	Angle brackets enclose parameter descriptions.
::=	Means “is defined as”. For example: <a>::=<c> indicates that <c> can replace <a>.
<i>sp</i>	Space, referred to as <i>white space</i> , must be used to separate keywords from their associated data parameters. It must not be used between keywords or inside keywords.
XXX	Indicates a root command name.

For further information about SCPI command syntax and style, refer to the Standard Commands for Programmable Instruments (SCPI) 1999.0 document.

2-8 Notational Examples

Table 2-6. Creating Valid Commands

Command Specification	Valid Forms
<code>[[:SENSE]:FREQUENCY:START <freq></code>	The following all produce the same result: <code>:SENSe:FREQUency:START 1 MHZ</code> <code>:SENS:FREQ:STAR 1 MHZ</code> <code>:sense:frequency:start 1000000</code> <code>:FREQ:STAR 1000 KHZ</code>
<code>:CALCulate:MARKer{1 2 3 4 5 6}:X <x-parameter></code>	The first 2 commands set the location of marker 1. The third command sets the location of marker 2. <code>:CALC:MARK:X 1 GHZ</code> <code>:CALC:MARK1:X 1 GHZ</code> <code>:CALC:MARK2:X 2 GHZ</code>
<code>:UNIT:POWer DBM DBV DBMV DBUV V W</code>	The following commands are identical: <code>:UNIT:POWer DBM</code> <code>:unit:pow dbm</code>
<code>:INITiate:CONTInuous OFF ON 0 1</code>	The following commands are identical: <code>:INITiate:CONTInuous OFF</code> <code>:init:cont 0</code>

Command statements read from left to right and from top to bottom. In the command statement above, the `:FREQUENCY` keyword immediately follows the `:SENSE` keyword with no separating space. A space (*sp*) is used between the command string and its argument.

Note that the first keyword in the command string does not require a leading colon. It is good practice, however, to always use a leading colon for all keywords. Note also that the `[[:SENSE]]` keyword is optional. This is a SCPI convention (for all voltage or signal source type instruments) that allows shorter command statements to be used.

The following is an example of a multiple command statement that uses two separate commands in a single statement:

```
:FREQUENCY:START 10E6;:FREQUENCY:STOP 20E9
```

Note A semicolon is used to join the commands, and a leading colon is used immediately after the semicolon to start the second command.

Command Terminators

The `<new line>` character (ASCII 10) in the last data byte of a command string is used as a command terminator. The use of a command terminator resets the command path to the root of the tree.

2-9 Formatting Conventions

This manual uses the following conventions in describing SCPI commands.

Table 2-7. Formatting Conventions

:COMMands:LOOK:LIKE:THIS	Commands are formatted to differentiate them from their description.
:COMMand:QUERies:LOOK:LIKE:THIS?	The query form of the command is followed by a “?”
Front panel key sequences use this formatting.	Front panel key presses are formatted to differentiate them from text descriptions. Key presses are separated by a comma (“,”).
<identifier>	Identifiers are enclosed in angular brackets, “< >”. They indicate that some type of data must be provided. Refer to Table 2-3 on page 2-7 for details on the types of identifiers.
	The pipe (or vertical bar), “ ” indicates that a choice must be made.
[optional input]	Optional input is enclosed in square brackets, “[]”. The “[]” are not part of the command.

2-10 Command and Query Notational Conventions

To distinguish the command types in the command descriptions, a question mark is included alone or within parentheses, or it is omitted.

- If the command syntax ends with (?), then it can be both a command and a query.
- If the command syntax ends with ?, then it is a query only.
- If the command syntax ends without a ?, then it has no query form.

Examples:

Select Mode by Number

```
:INSTrument:NSElect <integer>(?)
```

(both a command and a query – full description [on page 8-2](#))

Query Available Modes

```
:INSTrument:CATalog:FULL?
```

(a query only – full description [on page 8-2](#))

Delete Data/Location

```
:MMEMory:DELeTe <file name>
```

(no query – full description [on page 8-6](#))

2-11 Parameter Names

The parameters that are returned depend on the firmware version in the MS20xxC, and this document does not cover all possible parameter values that can be returned by the command.

Parameter names are dependent upon individual applications and are different for each application. They can be extracted via a Trace Preamble command.

The following tables list the parameter options for the `:TRACe:PREamble?` command in each supported measurement mode:

Vector Network Analyzer, refer to:

- [Table 3-12, “Trace Header Parameters” on page 3-155.](#)
- [Table 3-13, “Trace Header Marker Parameters” on page 3-164](#)
- [Table 3-14, “Trace Header Limits Parameters” on page 3-165](#)

Vector Voltmeter, refer to:

- [Table 4-4, “Trace Header Parameters” on page 4-9.](#)

Power Monitor, refer to:

- [Table 5-2, “Trace Header Parameters” on page 5-3.](#)

Spectrum Analyzer, refer to:

- [Table 6-2, “Trace Header Parameters” on page 6-55.](#)

Chapter 3 — VNA Commands

3-1 Introduction

This chapter describes commands for Vector Network Analyzer mode. Only the commands that are listed in this chapter and in [Chapter 8, “All Mode Commands”](#) can be used in Vector Network Analyzer mode. Using commands from other modes may produce unexpected results.

Note

Front Panel Access in VNA mode via the function hard keys may be listed as Freq/Time/Dist, as Freq/Dist, or as Freq. The first function hard key is displayed with the label Freq/Time/Dist when Option 2 is installed in the VNA Master and with the label Freq/Dist when Option 501 is installed in the VNA Master.

Notational conventions are described in [Section 2-10 “Command and Query Notational Conventions”](#) on page 2-12.

VNA Commands

Table 3-1. VNA Commands Subsystems

Keyword	Parameter Data or Units
:CALCulate{1-4}	“:CALCulate Subsystem” on page 3-2
:DISPlay	“:Display Subsystem” on page 3-81
:FORMat	“:Format Subsystem” on page 3-88
:INITiate	“:INITiate Subsystem” on page 3-89
:INPut	“:INPut Subsystem” on page 3-91
:MMEMory	“:MMEMory Subsystem” on page 3-96
[:SENSE]	“[:SENSE] Subsystem” on page 3-101
:SOURce	“:SOURce Subsystem” on page 3-148
:STATus	“:STATus Subsystem” on page 3-152
:SYSTem	“:SYSTem Subsystem” on page 3-153
:TRACe	“Trace Subsystem” on page 3-153

3-2 :CALCulate Subsystem

The commands in this subsystem process data that have been collected via the :CALCulate subsystem.

Table 3-2. :CALCulate Subsystem

Keyword	Parameter Data or Units
:CALCulate{1-4}	
:FILTer[:GATE]	Refer to “:CALCulate<Tr>:FILTer[:GATE] Subsystem” on page 3-4
:FILTer[:GATE]	Refer to “:CALCulate<Tr>:FILTer[:GATE]:DISTance Subsystem” on page 3-5
:FILTer[:GATE]	Refer to “:CALCulate<Tr>:FILTer[:GATE]:TIME Subsystem” on page 3-13
:FORMat	Refer to “:CALCulate:FORMat Subsystem” on page 3-20
:LIMit	Refer to “:CALCulate:LIMit Subsystem” on page 3-21
:MARKer	Refer to “:CALCulate:MARKer Subsystem” on page 3-53
:MATH	Refer to “:CALCulate:MATH Subsystem” on page 3-66
:SMOothing	Refer to “:CALCulate:SMOothing Subsystem” on page 3-67
:TRANSform	Refer to “:CALCulate:TRANSform Subsystem” on page 3-68

Trace Data Transfer

:CALCulate<Tr>:DATA?

Description: Transfers the given trace data specified by <Tr> from the instrument to the controller. <Tr> is the trace number in the range 1 to 4. If no trace number is specified, then the <Tr> parameter defaults to trace number 1.

FDATa: Formatted (or Final) data. The returned data are based on the Graph Type that is associated with the trace. For graph types that use only one number per point (such as Log Mag, SWR, Phase, Real, Imaginary, Group Delay, Log Mag/2), the command returns one number per data point. For graph types that use two numbers per point (such as Smith Chart, Inverted Smith Chart, Linear Polar, and Log Polar), the command returns two numbers per data point. Following is a list of the returned values for each Graph Type:

Graph Type	Returned Units
Log Magnitude	dB
Log Magnitude/2	dB
Phase	degree
SWR	unitless

Graph Type	Returned Units
Real	unitless
Imaginary	unitless
Group Delay	ns (nanosecond)
Smith Chart	R + jX ohm
Inverted Smith Chart	G + jB S
Linear Polar	unitless, degree
Log Polar	dB, degree
Real Impedance	ohm
Imaginary Impedance	ohm

SDATa: Complex measurement data. The returned numbers (which are independent of the Graph Type that is associated with the trace) are the complex measurement data (Real and Imaginary) for each point of the trace. A 551 point trace therefore has a total of 1102 points that get transferred.

FMEM: Formatted (or Final) Memory data. Similar to FDATA, but for memory data.

SMEM: Complex memory data. Similar to SDATa, but for memory data.

Note that in order to get valid data when querying for memory data, you must first store a trace into memory using the command CALC:MATH:MEMorize. The format of the block data that is returned can be specified by the command :FORMat:DATA. The response begins with an ASCII header that specifies the number of data bytes. It appears in the format #AX, where A is the number of digits in X, and X is the number of bytes that follow the header. Each data point is separated by a comma delimiter.

Syntax: :CALCulate<Tr>:DATA? FDATA | SDATa | FMEM | SMEM
:CALCulate{1-4}:DATA? FDATA | SDATa | FMEM | SMEM

Cmd Parameter: NA (query only)

Query Response: <char> FDATA | SDATa | FMEM | SMEM (returns block data)

Related Command: :FORMat:DATA

Front Panel

Access: NA

3-3 :CALCulate<Tr>:FILTer[:GATE] Subsystem

This subsystem includes commands that allow you to set up the gate configuration.

Gate Coupling State

:CALCulate:FILTer[:GATE]:COUPled[:STATe]

Description: Sets the gate coupling state. Setting the value to ON or to 1 turns on the gate coupling, which implies that the gate settings for all traces are identical. Setting the value to OFF or to 0 turns off the gate coupling, which implies that each trace can have different gate settings. The query version of this command returns 1 if gate coupling is currently on, otherwise returns 0 for off.

Syntax: :CALCulate:FILTer[:GATE]:COUPled[:STATe] ON|OFF|1|0
:CALCulate:FILTer[:GATE]:COUPled[:STATe] ?

Cmd Parameter: <boolean> ON|OFF|1|0

Query Response: <bNR1> 1|0

Default Value: 1

Example: To set gate coupling to off:

```
:CALC:FILT:COUP OFF
:CALCulate:FILTer:GATE:COUPled:STATe 0
```

Front Panel

Access: **Shift-8** (System), Application Options, Time Domain, Gate Coupled

3-4 :CALCulate<Tr>:FILTer[:GATE]:DISTance Subsystem

The commands in this subsystem define the gate configuration for the distance domain.

Note

All Front Panel Access sequences that are referenced in this subsystem require that the active trace domain is set to Distance.

Gate Center Distance

:CALCulate<Tr>:FILTer[:GATE]:DISTance:CENTer

Description: Sets the gate center distance for the given trace. <Tr> is the trace number in the range of 1 to 4. If no trace number is specified, then the <Tr> parameter defaults to trace number 1. The query version of this command returns the current gate center in millimeters. Note that setting this may also change the gate start, stop, and span for both time and distance gates. If gate coupling is on, then setting the gate center distance also sets the same gate center distance for all traces. Note that setting this also sets the given trace as the active trace if it is not already active.

Note that the command

:CALCulate<Tr>:FILTer[:GATE]:TIME:CENTer functions the same as this command. The only difference is that with this command, you must send the center in distance units rather than time units.

Syntax: :CALCulate<Tr>:FILTer[:GATE]:DISTance:CENTer
 <center distance>
 :CALCulate<Tr>:FILTer[:GATE]:DISTance:CENTer?

Cmd Parameter: <NRf> <center distance>

Query Response: <NR3> <center distance> (returned in millimeters)

Range: -3000.0 m to +3000 m

Default Value: 2055 mm

Default Unit: Meters (m) when setting. Millimeters (mm) for query. Note that if the distance unit is in feet, then both setting and query are in feet.

Gate Center Distance (continued)

Example: To set the gate center distance for Trace 4 to 12.5 m:

```
:CALCulate4:FILTer:GATE:DISTance:CENTer 12500 mm
```

or

```
:CALC4:FILT:GATE:DIST:CENT 12.5
```

After either of these two example commands, the following query:

```
:CALCulate4:FILTer:GATE:DISTance:CENTer?
```

Returns the result: 12500

To set the gate center distance for Trace 2 to 20.5 ft:

```
:CALCulate2:FILTer:GATE:DISTance:CENTer 20.5 ft
```

The query is:

```
CALCulate2:FILTer:GATE:DISTance:CENTer?
```

Return Value: 6248.4 (in units of mm, if instrument distance unit setting is meters)

Return Value: 20.5 (in units of ft, if instrument distance unit setting is feet)

Related Command: :CALCulate<Tr>:FILTer[:GATE]:TIME:CENTer
:CALCulate:TRANSform:DISTance:UNIT

Front Panel

Access: **Freq/Time/Dist**, Gate, Center Gate

Distance Domain Gate Notch State

:CALCulate<Tr>:FILTer[:GATE]:DISTance:NOTCh

Description: Sets the gate into notch mode for the given trace. Setting the value to ON or to 1 turns on the gate into a notch (in other words, the gate suppresses rather than passes through the time domain data within the start/stop gate settings). Setting the value to OFF or to 0 turns off the gate notch mode. The query version of this command returns 1 if gate notch is on, otherwise returns 0 for off. Note that if gate coupling is on, then setting the gate notch of one trace also sets the gate notch of all other traces. Also note that setting this also sets the given trace as the active trace if it is not already active.

Note that the command :CALC<Tr>:FILT[:GATE]:TIME:NOTC functions the same as this command.

Syntax: :CALCulate<Tr>:FILTer[:GATE]:DISTance:NOTCh ON|OFF|1|0
:CALCulate<Tr>:FILTer[:GATE]:DISTance:NOTCh?

Cmd Parameter: <boolean> ON|OFF|1|0

Query Response: <bNR1> 1|0

Default Value: 0

Example: To set the gate notch to ON for Trace 3:

```
:CALC3:FILT:GATE:DIST:NOTC ON
```

Related Command: :CALC<Tr>:FILT[:GATE]:TIME:NOTC

Front Panel

Access: **Freq/Time/Dist**, Gate, Gate Notch

Distance Domain Gate Shape

:CALCulate<Tr>:FILTer[:GATE]:DISTance:SHAPE

Description: Sets the gate shape for the given trace. The query version of this command returns the string “MAX” if the current gate shape is set to maximum, “WIDE” if set to wide, “NORM” if set to nominal, and “MIN” if set to minimum. Note that if gate coupling is on, then setting the gate shape of one trace also sets the gate shape of all other traces. Also note that setting this also sets the given trace as the active trace if it is not already active.

Note that the command :CALC<Tr>:FILT[:GATE]:TIME:SHAP functions the same as this command.

Syntax: :CALCulate<Tr>:FILTer[:GATE]:DISTance:SHAPE
 MAXimum|WIDE|NORMal|MINimum
 :CALCulate<Tr>:FILTer[:GATE]:DISTance:SHAPE?

Cmd Parameter: <char> MAXimum|WIDE|NORMal|MINimum

Query Response: <char> MAX|WIDE|NORM|MIN

Default Value: NORM

Example: To set the gate shape to Maximum for Trace 1:

```
:CALC:FILT:DIST:SHAP MAX
```

Related Command: :CALC<Tr>:FILT[:GATE]:TIME:SHAP

Front Panel

Access: **Freq/Time/Dist, Gate, Gate Shape**

Gate Span Distance

:CALCulate<Tr>:FILTer[:GATE]:DISTance:SPAN

Description: Sets the gate span distance for the given trace. <Tr> is the trace number in the range of 1 to 4. If no trace number is specified, then the <Tr> parameter defaults to trace number 1. The query version of this command returns the current gate span in millimeters. Note that setting this may also change the gate start, stop, and center for both time and distance gates. If gate coupling is on, then setting the gate span also sets the same gate span for all traces. Note that setting this also sets the given trace as the active trace if it is not already active.

Note that the command

:CALCulate<Tr>:FILTer[:GATE]:TIME:SPAN functions the same as this command. The only difference is that with this command, you must send the span in distance units rather than time units.

Syntax: :CALCulate<Tr>:FILTer[:GATE]:DISTance:SPAN

:CALCulate<Tr>:FILTer[:GATE]:DISTance:SPAN?

Cmd Parameter: <Nrf>

Query Response: <NR3>

Range: 0 m to 3000 m

Default Value: 4110 mm

Default Unit: Meters (m) when setting. Millimeters (mm) for query. Note that if the distance unit is in feet, then both setting and query are in feet.

Example: To set the gate span distance for Trace 3 to 7 m:

```
:CALC3:FILT:DIST:SPAN 7
```

Related Command: :CALCulate<Tr>:FILTer[:GATE]:TIME:SPAN

Front Panel

Access: **Freq/Time/Dist**, Gate, Span Gate

Gate Start Distance

:CALCulate<Tr>:FILTer[:GATE]:DISTance:STARt

Description: Sets the gate start distance for the given trace. <Tr> is the trace number in the range of 1 to 4. If no trace number is specified, then the <Tr> parameter defaults to trace number 1. The query version of this command returns the current gate start distance in millimeters. Note that setting this may also change the gate span, stop, and center for both time and distance gates. If gate coupling is on, then setting the gate start distance also sets the same gate start distance for all traces. Note that setting this also sets the given trace as the active trace if it is not already active.

Note that the command

:CALCulate<Tr>:FILTer[:GATE]:TIME:STARt functions the same as this command. The only difference is that with this command, you must send the start in distance units rather than time units.

Syntax: :CALCulate<Tr>:FILTer[:GATE]:DISTance:STARt
<start distance>
:CALCulate<Tr>:FILTer[:GATE]:DISTance:STARt?

Cmd Parameter: <NRf> <start distance>

Query Response: <NR3> <start distance> (returned in millimeters)

Range: -3000.0 m to +3000 m

Default Value: 1370 mm

Default Unit: Meters (m) when setting. Millimeters (mm) for query. Note that if the distance unit is in feet, then both setting and query are in feet.

Example: To set the gate start distance for Trace 1 to 2 meter:

```
:CALC:FILT:GATE:DIST:STAR 2
```

OR

```
:CALC:FILT:GATE:DIST:STAR 2000mm
```

Related Command: :CALCulate<Tr>:FILTer[:GATE]:TIME:STARt

Front Panel

Access: **Freq/Time/Dist, Gate, Start Gate**

Distance Domain Gate Display Settings

:CALCulate<Tr>:FILTer[:GATE]:DISTance:STATE

Description: Sets the gate display settings for the given trace. The gate can be either OFF, in DISPLAY mode, or ON. In DISPLAY mode, the gate is shown on the trace but is not applied to the transform. When set to ON, the gate is shown and applied to the transform. <Tr> is the trace number in the range of 1 to 4. If no trace number is specified, then the <Tr> parameter defaults to trace number 1. Note that setting this also sets the given trace as the active trace if it is not already active.

Syntax: :CALCulate<Tr>:FILTer[:GATE]:DISTance:STATE
OFF|DISPlay|ON
:CALCulate<Tr>:FILTer[:GATE]:DISTance:STATE?

Cmd Parameter: <char> OFF|DISPlay|ON

Query Response: <char> OFF|DISP|ON

Default Value: OFF

Example: To set Trace 2 to DISPLAY view:

```
:CALC2:FILT:GATE:STAT DISP
```

Front Panel

Access: **Freq/Time/Dist**, Gate, Gate Function

Gate Stop Distance

:CALCulate<Tr>:FILTer[:GATE]:DISTance:STOP

Description: Sets the gate stop distance for the given trace. <Tr> is the trace number in the range of 1 to 4. If no trace number is specified, then the <Tr> parameter defaults to trace number 1. The query version of this command returns the current gate stop distance in millimeters. Note that setting this may also change the gate span, start, and center for both time and distance gates. If gate coupling is on, then setting the gate stop distance also sets the same gate stop distance for all traces. Note that setting this also sets the given trace as the active trace if it is not already active.

Note that the command

:CALCulate<Tr>:FILTer[:GATE]:TIME:STOP functions the same as this command. The only difference is that with this command, you must send the stop in distance units rather than time units.

Syntax: :CALCulate<Tr>:FILTer[:GATE]:DISTance:STOP
<stop distance>
:CALCulate<Tr>:FILTer[:GATE]:DISTance:STOP?

Cmd Parameter: <NRf> <stop distance>

Query Response: <NR3> <stop distance>> (returned in millimeters)

Range: -3000.0 m to +3000 m

Default Value: 5480 mm

Default Unit: Meters (m) when setting. Millimeters (mm) for query. Note that if the distance unit is in feet, then both setting and query are in feet.

Example: To set the gate stop distance for Trace 4 to 10 meter:

```
:CALC4:FILT:GATE:DIST:STOP 10
```

Related Command: :CALCulate<Tr>:FILTer[:GATE]:TIME:STOP

Front Panel

Access: **Freq/Time/Dist**, Gate, Stop Gate

3-5 :CALCulate<Tr>:FILTer[:GATE]:TIME Subsystem

The commands in this subsystem define the gate configuration for the time domain.

Note

All Front Panel Access sequences that are referenced in this subsystem require that the active trace domain is set to Time.

Gate Center Time

:CALCulate<Tr>:FILTer[:GATE]:TIME:CENTer

Description: Sets the gate center time for the given trace. <Tr> is the trace number in the range of 1 to 4. If no trace number is specified, then the <Tr> parameter defaults to trace number 1. The query version of this command returns the current gate center in nanoseconds. Note that setting this may also change the gate start, stop, and span for both time and distance gates. If gate coupling is on, then setting the gate center time also sets the same gate center time for all traces. Note that setting this also sets the given trace as the active trace if it is not already active.

Note that the command

:CALCulate<Tr>:FILTer[:GATE]:DISTance:CENTer functions the same as this command. The only difference is that with this command, you must send the center in time units rather than distance units.

Syntax: :CALCulate<Tr>:FILTer[:GATE]:TIME:CENTer <center time>
:CALCulate<Tr>:FILTer[:GATE]:TIME:CENTer?

Cmd Parameter: <NRf> <center time>

Query Response: <NR3> <center time> (time returned in nanoseconds)

Range: -100 ms to +100 ms

Default Value: 6 ns

Default Unit: Seconds (s) when setting, nanoseconds (ns) for query.

Example: To set the gate center time for trace number 2 to 15 ns:

```
:CALC2:FILT:TIME:CENT 15ns
```

Related Command: :CALCulate<Tr>:FILTer[:GATE]:DISTance:CENTer

Front Panel

Access: **Freq/Time/Dist**, Gate, Center Gate

Time Domain Gate Notch State

:CALCulate<Tr>:FILTer[:GATE]:TIME:NOTCh

Description: Sets the gate into notch mode for the given trace. Setting the value to ON or to 1 turns on the gate into a notch (in other words, the gate suppresses rather than passes through the time domain data within the start/stop gate settings). Setting the value to OFF or to 0 turns off the gate notch mode. The query version of this command returns 1 if gate notch is on, otherwise returns 0 for off. Note that if gate coupling is on, then setting the gate notch of one trace also sets the gate notch of all other traces. Note that setting this also sets the given trace as the active trace if it is not already active.

Note that the command :CALC<Tr>:FILT[:GATE]:DIST:NOTC functions the same as this command.

Syntax: :CALCulate<Tr>:FILTer[:GATE]:TIME:NOTCh ON|OFF|1|0
:CALCulate<Tr>:FILTer[:GATE]:TIME:NOTCh?

Cmd Parameter: <boolean> ON|OFF|1|0

Query Response: <bNR1> 1|0

Default Value: 0

Example: To set the gate notch for Trace 3 to OFF:

```
:CALC3:FILT:GATE:TIME:NOTC 0
```

OR

```
:CALC3:FILT:GATE:TIME:NOTC OFF
```

Related Command: :CALC<Tr>:FILT[:GATE]:DIST:NOTC

Front Panel

Access: **Freq/Time/Dist, Gate, Gate Notch**

Time Domain Gate Shape

:CALCulate<Tr>:FILTer[:GATE]:TIME:SHAPE

Description: Sets the gate shape for the given trace. The query version of this command returns the string “MAX” if the current gate shape is set to maximum, “WIDE” if set to wide, “NORM” if set to nominal, and “MIN” if set to minimum. Note that if gate coupling is on, then setting the gate shape of one trace also sets the gate shape of all other traces. Note that setting this also sets the given trace as the active trace if it is not already active. Also note that the command :CALC<Tr>:FILT[:GATE]:DIST:SHAP functions the same as this command.

Syntax: :CALCulate<Tr>:FILTer[:GATE]:TIME:SHAPE
MAXimum|WIDE|NORMal|MINimum
:CALCulate<Tr>:FILTer[:GATE]:TIME:SHAPE?

Cmd Parameter: <char> MAXimum|WIDE|NORMal|MINimum

Query Response: <char> MAX|WIDE|NORM|MIN

Default Value: NORM

Example: To set the gate shape to Maximum for Trace 1:

```
:CALC:FILT:TIME:SHAP MAX
```

Related Command: :CALC<Tr>:FILT[:GATE]:DIST:SHAP

Front Panel

Access: **Freq/Time/Dist**, Gate, Gate Shape

Gate Span Time

:CALCulate<Tr>:FILTer[:GATE]:TIME:SPAN

Description: Sets the gate span time for the given trace. <Tr> is the trace number in the range of 1 to 4. If no trace number is specified, then the <Tr> parameter defaults to trace number 1. The query version of this command returns the current gate span in nanoseconds. Note that setting this may also change the gate start, stop, and center for both time and distance gates. If gate coupling is on, then setting the gate span also sets the same gate span for all traces. Note that setting this also sets the given trace as the active trace if it is not already active.

Note that the command

:CALCulate<Tr>:FILTer[:GATE]:DISTance:SPAN functions the same as this command. The only difference is that with this command, you must send the span in time units rather than distance units.

Syntax: :CALCulate<Tr>:FILTer[:GATE]:TIME:SPAN
:CALCulate<Tr>:FILTer[:GATE]:TIME:SPAN?

Cmd Parameter: <NRf>

Query Response: <NR3> (time returned in nanoseconds)

Range: 0 ms to 2000 ns

Default Value: 12 ns

Default Unit: Seconds (s) when setting, nanoseconds (ns) for query.

Example: To set the gate span time for Trace number 3 to 6 ns:

```
:CALC3:FILT:GATE:TIME:SPAN 6ns
```

Related Command: :CALCulate<Tr>:FILTer[:GATE]:DISTance:SPAN

Front Panel

Access: **Freq/Time/Dist**, Gate, Span Gate

Gate Start Time

:CALCulate<Tr>:FILTer[:GATE]:TIME:START

Description: Sets the gate start time for the given trace. <Tr> is the trace number in the range of 1 to 4. If no trace number is specified, then the <Tr> parameter defaults to trace number 1. The query version of this command returns the current gate start time in nanoseconds. Note that setting this may also change the gate span, stop, and center for both time and distance gates. If gate coupling is on, then setting the gate start time also sets the same gate start time for all traces. Note that setting this also sets the given trace as the active trace if it is not already active

Note that the command

:CALCulate<Tr>:FILTer[:GATE]:DISTance:START functions the same as this command. The only difference is that with this command, you must send the start in time units rather than distance units.

Syntax: :CALCulate<Tr>:FILTer[:GATE]:TIME:START <start time>
:CALCulate<Tr>:FILTer[:GATE]:TIME:START?

Cmd Parameter: <Nrf> <start time>

Query Response: <NR3> <start time> (time returned in nanoseconds)

Range: -100 ms to +100 ms

Default Value: 4 ns

Default Unit: Seconds (s) when setting, nanoseconds (ns) for query.

Example: To set the gate start time for Trace 2 to 6 ns:

```
:CALC2:FILT:GATE:TIME:STAR 6ns
```

Related Command: :CALCulate<Tr>:FILTer[:GATE]:DISTance:START

Front Panel

Access: **Freq/Time/Dist**, Gate, Start Gate

Time Domain Gate Display Setting

:CALCulate<Tr>:FILTer[:GATE]:TIME:STATe

Description: Sets the gate display settings for the given trace. The gate can be OFF, in DISPLAY mode, or ON. In DISPLAY mode, the gate is shown on the trace but is not applied to the transform. When set to ON, the gate is shown and applied to the transform. <Tr> is the trace number in the range of 1 to 4. If no trace number is specified, then the <Tr> parameter defaults to trace number 1. Note that setting this also sets the given trace as the active trace if it is not already active. Also note that the command :CALC<Tr>:FILT[:GATE]:DIST:STAT functions the same as this command.

Syntax: :CALCulate<Tr>:FILTer[:GATE]:TIME:STATe OFF|DISPlay|ON
:CALCulate<Tr>:FILTer[:GATE]:TIME:STATe?

Cmd Parameter: <char> OFF|DISPlay|ON

Query Response: <char> OFF|DISP|ON

Default Value: OFF

Example: To set Trace 2 to DISPLAY view:

```
:CALC2:FILT:GATE:TIME:STAT DISP
```

Related Command: :CALC<Tr>:FILT[:GATE]:DIST:STAT

Front Panel

Access: **Freq/Time/Dist**, Gate, Gate Function

Gate Stop Time

:CALCulate<Tr>:FILTer[:GATE]:TIME:STOP

Description: Sets the gate stop time for the given trace. <Tr> is the trace number in the range of 1 to 4. If no trace number is specified, then the <Tr> parameter defaults to trace number 1. The query version of this command returns the current gate stop time in nanoseconds. Note that setting this may also change the gate span, start, and center for both time and distance gates. If gate coupling is on, then setting the gate stop time also sets the same gate stop time for all traces. Note that setting this also sets the given trace as the active trace if it is not already active

Note that the command

:CALCulate<Tr>:FILTer[:GATE]:DISTance:STOP functions the same as this command. The only difference is that with this command, you must send the stop in time units rather than distance units.

Syntax: :CALCulate<Tr>:FILTer[:GATE]:TIME:STOP <stop time>
:CALCulate<Tr>:FILTer[:GATE]:TIME:STOP?

Cmd Parameter: <Nrf> <stop time>

Query Response: <NR3> <stop time> (time returned in nanoseconds)

Range: -100 ms to +100 ms

Default Value: 16 ns

Default Unit: Seconds (s) when setting, nanoseconds (ns) for query.

Example: To set the gate stop time for Trace 2 to 6 ns:

```
:CALC2:FILT:GATE:TIME:STOP 6ns
```

Related Command: :CALCulate<Tr>:FILTer[:GATE]:DISTance:STOP

Front Panel

Access: **Freq/Time/Dist**, Gate, Stop Gate

3-6 :CALCulate:FORMat Subsystem

Commands in this subsystem define the display format for a measurement.

Graph Type

:CALCulate<Tr>:FORMat

Description: Defines the graph type for the given trace <Tr>. <Tr> is the trace number in the range 1 to 4. If no trace number is specified, then the <Tr> parameter defaults to trace number 1. <Graph Type> is the graph type to which the specified trace is set, and it must be one of the following values:

LMAGnitude | SWR | PHASe | REAL | IMAGinary | GDElay | SMITh |
ISMith | LM/2 | LINPolar | LOGPolar | RIMPedance | IIMPedance

Note that setting this also sets the given trace as the active trace if it is not already active.

The query version of this command returns "LMAG" if the specified trace graph type is set to Log Mag, "SWR" if set to SWR, "PHAS" if set to Phase, "REAL" if set to Real, "IMAG" if set to Imaginary, "GDEL" if set to Group Delay, "SMIT" if set to Smith Chart, "ISM" if set to Inverted Smith Chart, "LM/2" if set to Log Mag/2 (cable loss), "LINP" if set to Linear Polar, "LOGP" if set to Log Polar, "RIMP" if set to Real Impedance, and "IIMP" if set to Imaginary Impedance.

Syntax: :CALCulate<Tr>:FORMat <Graph Type>
:CALCulate{1-4}:FORMat <Graph Type>
:CALCulate<Tr>:FORMat?

Cmd Parameter: <char> <Graph Type>
(LMAGnitude | SWR | PHASe | REAL | IMAGinary | GDElay | SMITh | LM/2 |
LINPolar | LOGPolar | RIMPedance | IIMPedance)

Query Response: <char> <Graph Type>
(LMAG | SWR | PHAS | REAL | IMAG | GDEL | SMIT | ISM | LM/2 | LINP |
LOGP | RIMP | IIMP)

Default Value: Trace 1: SMIT
Trace 2: LMAG
Trace 3: LMAG
Trace 4: SMIT

Example: To set Trace 2 graph type to Log Magnitude
:CALC2:FORM LMAG

Front Panel

Access: **Measure**, Graph Type

3-7 :CALCulate:LIMit Subsystem

This subsystem defines the limit lines and controls the limit check.

Limit Alarm

:CALCulate:LIMit:ALARm

Description: Enables/disables the active trace currently selected limit line alarm. Setting the value to ON or 1 turns on the active trace limit alarm. Setting the value to OFF or 0 turns off the active trace limit alarm. The query version of the command returns a 1 if the active trace currently selected limit line alarm is set to ON and returns 0 if set to OFF. Use :CALCulate:LIMit:TYPE to set the currently active limit line.

Syntax: :CALCulate:LIMit:ALARm OFF|ON|0|1
:CALCulate:LIMit:ALARm?

Cmd Parameter: <boolean> OFF|ON|0|1

Query Response: <bNR1> 0|1

Default Value: OFF or 0 (query returns 0 for OFF)

Example: To turn off limit alarm

```
:CALCulate:LIMit:ALARm OFF  
:CALCulate:LIMit:ALARm 0
```

To turn on limit alarm

```
:CALCulate:LIMit:ALARm ON  
:CALC:LIM:ALAR 1
```

Related Command: :CALCulate:LIMit:TYPE

Front Panel

Access: **Shift 6** (Limit), Limit Alarm

Limit Fail

:CALCulate<Tr>:LIMit:FAIL?

Description: Returns the fail status of the given trace <Tr> based on the limits. The limit and the limit message must be ON in order to return a valid boolean value. If either or both limits fail, then a 1 is returned.

<Tr> is the trace number in the range 1 to 4. If no trace number is specified, then the <Tr> parameter defaults to trace number 1.

Syntax: :CALCulate<Tr>:LIMit:FAIL?

Cmd Parameter: NA (query Only)

Cmd Parameter: <NR1> <integer>

Example: To query the fail status on trace 2:

```
CALCulate2:LIMit:FAIL?
:CALC2:LIM:FAIL?
```

Related Command: :CALCulate:LIMit[:STATe]

```
:CALCulate<Tr>:LIMit:PFMessage
```

Front Panel

Access: NA

Lower Limit Fail State

:CALCulate<Tr>:LIMit:LOWer:FAIL?

Description: Returns the fail status of the given trace <Tr>. The lower limit and the limit message must be ON in order to return a valid boolean value. If the lower limit fails, then a 1 is returned. Otherwise, a 0 is returned.

<Tr> is the trace number in the range 1 to 4. If no trace number is specified, then the <Tr> parameter defaults to trace number 1.

Syntax: :CALCulate<Tr>:LIMit:LOWer:FAIL?

Cmd Parameter: NA (query Only)

Query Parameter: <NR1> <integer>

Example: To query for the fail status on trace 2 for the lower limit:

```
:CALC2:LIM:LOW:FAIL?
:CALCulate2:LIMit:LOWer:FAIL?
```

Related Command: :CALCulate<Tr>:LIMit:PFMessage

```
:CALCulate:LIMit:TYPE
```

Front Panel

Access: NA

Limit Pass/Fail

:CALCulate<Tr>:LIMit:PFMessage

Description: Enables or disables the selected trace pass fail message. <Tr> is the trace number in the range 1 to 4. If no trace number is specified, then the <Tr> parameter defaults to trace number 1. Setting the value to ON or to 1 turns on the selected trace pass fail message. Setting the value to OFF or to 0 turns off the selected trace pass fail message.

The query version of the command returns a 1 if the selected trace pass fail message is set to ON, and the query returns a 0 if the selected trace pass fail message is set to OFF.

Syntax: :CALCulate<Tr>:LIMit:PFMessage OFF|ON|0|1
:CALCulate<Tr>:LIMit:PFMessage?

Cmd Parameter: <boolean> OFF|ON|0|1

Query Parameter: <boolean> 0|1

Default Value: OFF or 0 (query returns 0 for OFF)

Example: To turn off pass/fail message:

```
:CALCulate:LIMit:PFMessage OFF
:CALCulate:LIMit:PFMessage 0
:CALC:LIM:PFM 0
```

To turn on pass fail message:

```
:CALCulate:LIMit:PFMessage ON
:CALCulate:LIMit:PFMessage 1
:CALC:LIM:PFM 1
```

Related Command: :CALCulate<Tr>:LIMit:PFMessage
:CALCulate:LIMit:TYPE

Front Panel

Access: **Shift 6** (Limit), Pass Fail Message

Upper Limit Fail State

:CALCulate<Tr>:LIMit:UPPer:FAIL?

Description: Returns the fail status of the given trace <Tr>. The upper limit and the limit message must be ON in order to return a valid boolean value. If the upper limit fails, then a 1 is returned. Otherwise, a 0 is returned. <Tr> is the trace number in the range 1 to 4. If no trace number is specified, then the <Tr> parameter defaults to trace number 1.

Syntax: :CALCulate<Tr>:LIMit:UPPer:FAIL?

Cmd Parameter: NA (query Only)

Query Parameter: <NR1> <integer>

Example: To query for the fail status on trace 2 for the upper limit:

```
:CALC2:LIM:UPP:FAIL?
```

```
:CALCulate2:LIMit:UPPer:FAIL?
```

Related Command: :CALCulate:LIMit[:STATe]

```
:CALCulate<Tr>:LIMit:PFMessage
```

```
:CALCulate:LIMit:TYPE
```

Front Panel

Access: NA

Number of Lower Limit Points

:CALCulate<Tr>:LIMit:LOWer:POINT?

Description: Returns the number of points currently in the lower limit line of the given trace <Tr>. <Tr> is the trace number in the range 1 to 4. If no trace number is specified, then the <Tr> parameter defaults to trace number 1.

Syntax: :CALCulate<Tr>:LIMit:LOWer:POINT?

Cmd Parameter: NA (query Only)

Query Response: <NR1> <integer>

Example: To query for the lower limit total point on trace #2:

```
:CALC2:LIM:LOW:POIN?
```

Front Panel

Access: NA

Add Lower Limit Point

:CALCulate<Tr>:LIMit:LOWer:POINT:ADD

Description: Adds a new limit point to the lower limit line of the given trace <Tr>. <Tr> is the trace number in the range 1 to 4. If no trace number is specified, then the <Tr> parameter defaults to trace number 1.

Syntax: :CALCulate<Tr>:LIMit:LOWer:POINT:ADD

Cmd Parameter: NA

Query Response: NA (no query)

Example: To add a point to the lower limit line on trace 2:

:CALC2:LIM:LOW:POIN:ADD

Front Panel

Access: **Shift 6** (Limit), Limit Edit, Add Point

Delete Lower Limit Point

:CALCulate<Tr>:LIMit:LOWer:POINT:DELeTe

Description: Deletes the lower limit point of the given trace <Tr>. After deletion, the point that is immediately to the left of the point that was deleted becomes the active point. <Tr> is the trace number in the range 1 to 4. If no trace number is specified, then the <Tr> parameter defaults to trace number 1. Note that deletion is valid only if more than 2 limit points are present.

Syntax: :CALCulate<Tr>:LIMit:LOWer:POINT:DELeTe

Cmd Parameter: NA

Query Response: NA (no query)

Example: To delete the trace 4 lower limit current active point:

:CALCulate4:LIMit:LOWer:POINT:DELeTe

Front Panel

Access: **Shift 6** (Limit), Limit Edit, Delete Point

Lower Limit Next Point Left

:CALCulate<Tr>:LIMit:LOWer:POINT:LEFT

Description: Sets the limit point to the left of the lower limit active point of the given trace <Tr> as the new active point. <Tr> is the trace number in the range 1 to 4. If no trace number is specified, then the <Tr> parameter defaults to trace number 1.

Syntax: :CALCulate<Tr>:LIMit:LOWer:POINT:LEFT

Cmd Parameter: NA

Query Response: NA (no query)

Example: To make the lower limit point to the left of the current active point of trace 2 as the new active point:

```
:CALCulate2:LIMit:LOWer:POINT:LEFT
```

Front Panel

Access: **Shift 6** (Limit), Limit Edit, Next Point Left

Lower Limit Next Point Right

:CALCulate<Tr>:LIMit:LOWer:POINT:RIGHT

Description: Sets the limit point to the right of the lower limit active point of the given trace <Tr> as the new active point. <Tr> is the trace number in the range 1 to 4. If no trace number is specified, then the <Tr> parameter defaults to trace number 1.

Syntax: :CALCulate<Tr>:LIMit:LOWer:POINT:RIGHT

Cmd Parameter: NA

Query Response: NA (no query)

Example: To make the lower limit point to the right of the current active point of trace 2 as the new active point:

```
:CALCulate2:LIMit:LOWer:POINT:RIGHT
```

Front Panel

Access: **Shift 6** (Limit), Limit Edit, Next Point Right

Lower Limit Point X Value

:CALCulate<Tr>:LIMit:LOWer:POINT:X

Description: Sets the location of the lower limit point of the given trace <Tr> on the x-axis at the specified location. <Tr> is the trace number in the range 1 to 4. If no trace number is specified, then the <Tr> parameter defaults to trace number 1. <x-parameter> is defined in the current x-axis. Sending the set command changes the Move Limit on the front panel to Point if it is currently set to Limit, and sets the given trace as the active trace. The <x-parameter> given unit must correspond to the given trace domain type. If no unit is specified with the <x-parameter>, then the default unit is used. The query version of the command returns the location of the given trace active lower limit point on the x-axis followed by the unit. If an error occurs, such as limit not ON, then the query version of the command returns -400 error codes. Limit line must be ON for the command to be valid. Use :CALCulate:LIMit:TYPE to set the currently active limit line.

Syntax: :CALCulate<Tr>:LIMit:LOWer:POINT:X <x-parameter>
:CALCulate<Tr>:LIMit:LOWer:POINT:X?

Cmd Parameter: <Nrf> <x-parameter> (hertz, seconds, meters, feet)

Query Response: <NR3> <x-parameter> (hertz, nanoseconds, meters, feet)

Default Unit: Hz for Frequency domain,
Seconds for Time domain
Meters or Feet for distance domain.

Lower Limit Point X Value (continued)

Example: To set the trace 4 lower limit point to 5000 Hertz (trace 4 in frequency domain):

```
:CALCulate4:LIMit:LOWer:POINT:X 5000
```

OR to 500 MHz:

```
:CALCulate4:LIMit:LOWer:POINT:X 500 MHz
```

To set the trace 1 lower limit point to 5 Feet (trace 1 in distance domain with current distance unit in meter):

```
:CALCulate:LIMit:LOWer:POINT:X 5 FT
```

OR to 4 Meter

```
:CALCulate1:LIMit:LOWer:POINT:X 4 M
```

OR to 4 Meter

```
:CALCulate:LIMit:LOWer:POINT:X 4
```

To set the trace 2 lower limit point to 2.5 nanoseconds (trace 2 in time domain):

```
:CALCulate2:LIMit:LOWer:POINT:X 2.5 ns
```

To set the trace 3 lower limit point to 25 us (trace 3 in time domain):

```
:CALC3:LIM:LOW:POIN:X 25 us
```

Related Command: :CALCulate:LIMit:TYPE
[:SENSE]:TRACe<Tr>:DOMain
[:SENSE]:TRACe<Tr>:SELEct

Front Panel

Access: **Shift 6** (Limit), Limit Edit, Limit X

Lower Limit Point Y Value

:CALCulate<Tr>:LIMit:LOWer:POINT:Y

Description: Sets the location of the lower limit point of the given trace <Tr> on the y-axis at the specified location. <Tr> is the trace number in the range 1 to 4. If no trace number is specified then default is trace number 1. Sending the set command changes the Move Limit on the front panel to Point if it is currently set to Limit, and sets the given trace as the active trace. The <y-parameter> is defined in the given trace current y-axis. If no unit is specified with the <y-parameter>, then the default unit is used. The query version of the command returns the location of the given trace lower limit point on the y-axis. If an error occurs, such as limit not ON, then the query version of the command returns -400 error codes. Limit line must be ON for the command to be valid. Use :CALCulate:LIMit:TYPE to set the currently active limit line.

Syntax: :CALCulate<Tr>:LIMit:LOWer:POINT:Y <y-parameter>
:CALCulate<Tr>:LIMit:LOWer:POINT:Y?

Cmd Parameter: <Nrf> <y-parameter> (depends on display type)

Query Response: <NR3> <y-parameter> (depends on display type)

Default Unit: Current active trace y-axis unit

Related Command: :CALCulate:LIMit:TYPE
[:SENSe]:TRACe<Tr>:SElect
:CALCulate<Tr>:FORMat

Front Panel

Access: **Shift 6** (Limit), Limit Edit, Amplitude

Lower Limit State

:CALCulate<Tr>:LIMit:LOWer[:STATe]

Description: Turns the lower limit line of the given trace <Tr> ON or OFF. <Tr> is the trace number in the range 1 to 4. If no trace number is specified, then the <Tr> parameter defaults to trace number 1. <Tr> is the trace number in the range 1 to 4. If no trace number is specified, then the <Tr> parameter defaults to trace number 1. The query version of the command returns a 1 if the lower limit line of the given trace is ON, and returns a 0 if it is OFF.

Syntax: :CALCulate<Tr>:LIMit:LOWer[:STATe] OFF|ON|0|1
:CALCulate<Tr>:LIMit:LOWer[:STATe]?

Cmd Parameter: <boolean> OFF|ON|0|1

Query Response: <bNR1> 0|1

Default Value: OFF or 0 (query returns 0 for OFF)

Example: To turn on lower limit of trace 1

```
:CALCulate:LIMit:LOWer ON
:CALCulate1:LIMit:LOWer 1
:CALCulate:LIMit:LOWer:STATe ON
```

To turn off upper limit of trace 4

```
:CALCulate4:LIMit:LOWer OFF
:CALCulate4:LIMit:LOWer 0
:CALC4:LIM:LOW:STAT 0
```

Related Command: :CALCulate:LIMit[:STATe]

Front Panel

Access: **Shift 6** (Limit), Limit State

Lower Limit X Value

:CALCulate<Tr>:LIMit:LOWer:X

Description: Moves the lower limit of the given trace <Tr> on the x-axis to the given value. <Tr> is the trace number in the range 1 to 4. If no trace number is specified, then the <Tr> parameter defaults to trace number 1. <x-parameter> is defined in the given trace current x-axis. The unit given with the <x-parameter> must correspond to the given trace domain type. If no unit is specified with the <x-parameter>, then the default unit is used. The set version of the command changes the Move Limit on the front panel to Limit if it is currently set to Point, and sets the given trace as the active trace. The query version of the command returns the location of the given trace lower limit point on the x-axis followed by the unit. If an error occurs, such as limit not ON, then the query version of the command returns -400 error codes. Limit line must be ON for the command to be valid. Use :CALCulate:LIMit:TYPE to set the currently active limit line.

Syntax: :CALCulate<Tr>:LIMit:LOWer:X <x-parameter>
:CALCulate<Tr>:LIMit:LOWer:X?

Cmd Parameter: <NRf> <x-parameter> (hertz, seconds, meters, feet)

Query Response: <NR3> <x-parameter> (hertz, nanoseconds, meters, feet)

Default Unit: Hz for Frequency domain,
Seconds for Time domain
Meters or Feet for distance domain.

Lower Limit X Value (continued)

Example: To move the trace 4 lower limit to 5000 Hertz (trace 4 in frequency domain)

```
:CALCulate4:LIMit:LOWer:X 5000
```

OR to 500 MHz:

```
:CALCulate4:LIMit:LOWer:X 500 MHz
```

To move the trace 1 lower limit to 5 Feet (trace 1 in distance domain with current distance unit in meter)

```
:CALCulate:LIMit:LOWer:X 5 FT
```

OR to 4 Meter

```
:CALCulate1:LIMit:LOWer:X 4 M
```

```
:CALCulate:LIMit:LOWer:X 4
```

To set the trace 2 lower limit point to 2.5 nanoseconds (trace 2 in time domain)

```
:CALCulate2:LIMit:LOWer:X 2.5 ns
```

To set the trace 3 lower limit point to 25 microseconds (trace 3 in time domain)

```
:CALCulate3:LIMit:LOWer:X 25 µs
```

Related Command: :CALCulate:LIMit[:STATe]
:CALCulate<Tr>:LIMit:LOWer:Y

Front Panel

Access: **Shift 6** (Limit), Limit Edit, Limit X

Lower Limit Y Value

:CALCulate<Tr>:LIMit:LOWer:Y

Description: Sets the location of the lower limit line of the given trace <Tr> on the y-axis at the given value. This moves the entire lower limit and moves the current active limit point by the given value. <Tr> is the trace number in the range 1 to 4. If no trace number is specified, then the <Tr> parameter defaults to trace number 1. The <y-parameter> is defined in the current y-axis. If no unit is specified with the <y-parameter>, then the default unit is used. The set version of the command changes the Move Limit on the front panel to Limit if it is currently set to Point, and sets the given trace as the active trace. The query version of the command returns the location of the active limit point on the y-axis. If an error occurs, such as limit not ON, then the query version of the command returns a -400 error codes. Limit line must be ON for the command to be valid.

Syntax: :CALCulate<Tr>:LIMit:LOWer:Y <y-parameter>
:CALCulate<Tr>:LIMit:LOWer:Y?

Cmd Parameter: <Nrf> <y-parameter> (depends on display type)

Query Response: <NR3> <y-parameter> (depends on display type)

Default Unit: Current active trace y-axis unit

Related Command: :CALCulate:LIMit[:STATe]
:CALCulate3:LIMit:LOWer:X

Front Panel

Access: **Shift 6** (Limit), Limit Edit, Amplitude

Number of Limit Points

:CALCulate:LIMit:POINT?

Description: Returns the number of points currently in the selected limit line. Use :CALCulate:LIMit:TYPE to set the currently active limit line.

Syntax: :CALCulate:LIMit:POINT?

Cmd Parameter: NA (query only)

Query Response: <NR1> <integer>

Related Command: :CALCulate:LIMit:TYPE

Front Panel

Access: NA

Add Limit Point

:CALCulate:LIMit:POINT:ADD

Description: Adds a new limit point to the currently active limit line. Use :CALCulate:LIMit:TYPE to set the currently active limit line.

Syntax: :CALCulate:LIMit:POINT:ADD

Cmd Parameter: NA

Query Response: NA (no query)

Related Command: :CALCulate:LIMit:TYPE
:CALCulate:LIMit:POINT:DELeTe

Front Panel

Access: **Shift 6** (Limit), Limit Edit, Add Point

Delete Limit Point

:CALCulate:LIMit:POINT:DELeTe

Description: Deletes the active trace active limit point. After deletion, the point that is immediately to the left of the point that was deleted becomes the active point. Note that deletion is valid only if 2 or more limit points exist. Use :CALCulate:LIMit:TYPE to set the currently active limit line.

Syntax: :CALCulate:LIMit:POINT:DELeTe

Cmd Parameter: NA

Query Response: NA (no query)

Example: To delete the currently active limit point

:CALCulate:LIMit:POINT:DELeTe

Related Command: :CALCulate:LIMit:POINT:ADD

Front Panel

Access: **Shift 6** (Limit), Limit Edit, Delete Point

Next Point Left

:CALCulate:LIMit:POINT:LEFT

Description: Sets the limit point immediately to the left of the active limit point as the active point. This makes it active for editing or deleting. Use :CALCulate:LIMit:TYPE to set the currently active limit line.

Syntax: :CALCulate:LIMit:POINT:LEFT

Cmd Parameter: NA

Query Response: NA (no query)

Example: To select the point to the left of the active point

:CALCulate:LIMit:POINT:LEFT

Related Command: :CALCulate:LIMit:POINT:RIGHT

Front Panel

Access: **Shift 6** (Limit), Limit Edit, Next Point Left

Next Point Right

:CALCulate:LIMit:POINT:RIGHT

Description: Sets the limit point immediately to the right of the active limit point as the active point. This makes it active for editing or deleting. Use :CALCulate:LIMit:TYPE to set the currently active limit line.

Syntax: :CALCulate:LIMit:POINT:RIGHT

Cmd Parameter: NA

Query Response: NA (no query)

Example: To select the point to the right of the active point:

:CALCulate:LIMit:POINT:RIGHT

Related Command: :CALCulate:LIMit:POINT:LEFT

Front Panel

Access: **Shift 6** (Limit), Limit Edit, Next Point Right

Limit Point X Value

:CALCulate:LIMit:POINT:X

Description: Sets the location of the active limit point on the x-axis at the specified location. Sending this command changes the Move Limit on the front panel to Point if it is currently set to Limit. The <x-parameter> must correspond to the current active trace domain type. If no unit is specified with the <x-parameter>, then the default unit is used. The query version of the command returns the location of the active limit point on the x-axis followed by the unit. If an error occurs, such as limit not ON, then the query version of the command returns -400 error codes. Limit line must be ON for the command to be valid. Use :CALCulate:LIMit:TYPE to set the currently active limit line.

Syntax: :CALCulate:LIMit:POINT:X <x-parameter>
:CALCulate:LIMit:POINT:X?

Cmd Parameter: <NRf> <x-parameter> (hertz, seconds, meters, feet)

Query Response: <NR3> <x-parameter> (hertz, nanoseconds, meters, feet)

Default Unit: Hz for Frequency domain,
Seconds for Time domain
Meters or Feet for distance domain.

Limit Point X Value (continued)

Example: To set the active limit point to 5000 Hertz (active trace in frequency domain):

```
:CALCulate:LIMit:POINT:X 5000
```

OR to 500 MHz:

```
:CALCulate:LIMit:POINT:X 500 MHz
```

To set the active limit point to 5 Feet (active trace in distance domain with current distance unit in meter):

```
:CALCulate:LIMit:POINT:X 5 FT
```

OR to 4 Meter

```
:CALCulate:LIMit:POINT:X 4 M
```

```
:CALCulate:LIMit:POINT:X 4
```

To set the active limit point to 2.5 nanoseconds (active trace in time domain):

```
:CALCulate:LIMit:POINT:X 2.5
```

```
:CALCulate:LIMit:POINT:X 2.5 ns
```

To set the active limit point to 25 us (active trace in time domain):

```
:CALCulate:LIMit:POINT:X 25 us
```

Related Command: :CALCulate:LIMit:POINT:Y
:CALCulate:LIMit:TYPE
[:SENSe]:TRACe<Tr>:DOMain
[:SENSe]:TRACe<Tr>:SElect

Front Panel

Access: **Shift 6** (Limit), Limit Edit, Limit X

Limit Point Y Value

:CALCulate:LIMit:POINT:Y

Description: Sets the location of the active limit point on the y-axis at the specified location. Sending this command changes the Move Limit on the front panel to Point if it is currently set to Limit. The <y-parameter> is defined in the current y-axis. If no unit is specified with the <y-parameter>, then the default unit is used. The query version of the command returns the location of the active limit point on the y-axis. If an error occurs, such as limit not ON, the query version of the command returns an error code of -400. Limit line must be ON for the command to be valid. Use :CALCulate:LIMit:TYPE to set the currently active limit line.

Syntax: :CALCulate:LIMit:POINT:Y <y-parameter>
:CALCulate:LIMit:POINT:Y?

Cmd Parameter: <NRf> <y-parameter> (depends on display)

Query Response: <NR3> <y-parameter> (depends on display)

Default Unit: Current active trace y-axis unit

Related Command: :CALCulate:LIMit:POINT:X
:CALCulate:LIMit:TYPE
[:SENSe]:TRACe<Tr>:SElect
:CALCulate<Tr>:FORMat

Front Panel

Access: **Shift 6** (Limit), Limit Edit, Amplitude

Limit State

:CALCulate:LIMit[:STATe]

Description: Turns the active trace currently selected limit line (upper or lower) ON or OFF. If the value is set to ON or 1, then the active trace selected limit line is turned ON. If the value is set to OFF or 0, then the active trace selected limit line is turned OFF. The query version of the command returns a 1 if the active trace selected limit line is ON and returns a 0 if it is OFF. Use :CALCulate:LIMit:TYPE to set the currently active limit line.

Syntax: :CALCulate:LIMit[:STATe] OFF|ON|0|1
:CALCulate:LIMit[:STATe]?

Cmd Parameter: <boolean> OFF|ON|0|1

Query Response: <bNR1> 0|1

Default Value: OFF or 0 (query returns 0 for OFF)

Example: To turn on the currently selected limit line:

```
:CALCulate:LIMit ON  
:CALCulate:LIMit:STATe ON  
:CALCulate:LIMit:STATe 1
```

To turn off the currently selected limit line:

```
:CALCulate:LIMit OFF  
:CALCulate:LIMit:STATe 0  
:CALCulate:LIMit 0
```

Front Panel

Access: **Shift 6** (Limit), Limit State

Limit Type

:CALCulate:LIMit:TYPE

Description: Sets the limit line segment type (upper or lower) to be edited. Set the value to 1 for Lower limit segment and to 0 for Upper limit line segment. The query version of the command returns a 1 if the lower limit line is currently active for editing and returns a 0 if the upper limit line is currently active for editing.

Syntax: :CALCulate:LIMit:TYPE 0|1
:CALCulate:LIMit:TYPE?

Cmd Parameter: <char> 0|1

Query Response: <char> 0|1

Default Value: 0

Example: To set upper limit line active for editing:

```
:CALCulate:LIMit:TYPE 0
```

To set lower limit line active for editing:

```
:CALCulate:LIMit:TYPE 1
```

Front Panel

Access: **Shift 6** (Limit), Limit

Number of Upper Limit Points

:CALCulate<Tr>:LIMit:UPPer:POINt?

Description: Query only. Returns the number of points currently in the upper limit line of the given trace <Tr>. <Tr> is the trace number in the range 1 to 4. If no trace number is specified, then the <Tr> parameter defaults to trace number 1.

Syntax: :CALCulate<Tr>:LIMit:UPPer:POINt?

Cmd Parameter: **NA** (query only)

Query Response: <NR1> <integer>

Example: To query for the upper limit line total point on trace #2:

```
:CALC2:LIM:UPP:POIN?
```

Front Panel

Access: **NA**

Add Upper Limit Point

:CALCulate<Tr>:LIMit:UPPer:POINt:ADD

Description: Adds a new limit point to the upper limit line of the given trace <Tr>. <Tr> is the trace number in the range 1 to 4. If no trace number is specified, then the <Tr> parameter defaults to trace number 1.

Syntax: :CALCulate<Tr>:LIMit:UPPer:POINt:ADD

Cmd Parameter: NA

Query Response: NA (no query)

Example: To add a point to the upper limit line on trace 2:

```
:CALC2:LIM:UPP:POIN:ADD
```

Related Command: :CALCulate<Tr>:LIMit:UPPer:POINt:DELeTe

Front Panel

Access: **Shift 6** (Limit), Limit Edit, Add Point

Delete Upper Limit Point

:CALCulate<Tr>:LIMit:UPPer:POINt:DELeTe

Description: Deletes the upper limit point of the given trace <Tr>. After deletion, the point that is immediately to the left of the point that was deleted becomes the active point. <Tr> is the trace number in the range 1 to 4. If no trace number is specified, then the <Tr> parameter defaults to trace number 1. Note that deletion is valid only if 2 or more limit points are active.

Syntax: :CALCulate<Tr>:LIMit:UPPer:POINt:DELeTe

Cmd Parameter: NA

Query Response: NA (no query)

Example: To delete trace 3 upper limit current active point:

```
:CALCulate3:LIMit:UPPer:POINt:DELeTe
```

Related Command: :CALCulate<Tr>:LIMit:UPPer:POINt:ADD

Front Panel

Access: **Shift 6** (Limit), Limit Edit, Delete Point

Upper Limit Next Point Left

:CALCulate<Tr>:LIMit:UPPer:POINt:LEFT

Description: Sets the limit point to the left of the upper limit active point of the given trace <Tr> as the new active point. <Tr> is the trace number in the range 1 to 4. If no trace number is specified, then the <Tr> parameter defaults to trace number 1.

Syntax: :CALCulate<Tr>:LIMit:UPPer:POINt:LEFT

Cmd Parameter: NA

Query Response: NA (no query)

Example: To make the upper limit point to the left of the current active point of trace 2 as the new active point:

```
:CALCulate2:LIMit:UPPer:POINt:LEFT
:CALC2:LIM:UPP:POIN:LEFT
```

Related Command: :CALCulate<Tr>:LIMit:UPPer:POINt:RIGHT

Front Panel

Access: **Shift 6** (Limit), Limit Edit, Next Point Left

Upper Limit Next Point Right

:CALCulate<Tr>:LIMit:UPPer:POINt:RIGHT

Description: Sets the limit point to the right of the upper limit active point of the given trace <Tr> as the new active point. <Tr> is the trace number in the range 1 to 4. If no trace number is specified, then default trace is trace number 1.

Syntax: :CALCulate<Tr>:LIMit:UPPer:POINt:RIGHT

Cmd Parameter: NA

Query Response: NA (no query)

Example: To make the upper limit point to the right of the current active point of trace 2 as the new active point:

```
:CALCulate2:LIMit:UPPer:POINt:RIGHT
:CALC2:LIM:UPP:POIN:RIGH
```

Related Command: :CALCulate<Tr>:LIMit:UPPer:POINt:LEFT

Front Panel

Access: **Shift 6** (Limit), Limit Edit, Next Point Right

Upper Limit Point X Value

:CALCulate<Tr>:LIMit:UPPer:POINt:X

Description: Sets the location of the upper limit point of the given trace <Tr> on the x-axis at the specified location. <Tr> is the trace number in the range 1 to 4. If no trace number is specified, then default trace is trace number 1. Sending the set command changes the Move Limit on the front panel to Point if it is currently set to Limit and sets the given trace as the active trace. <x-parameter> is defined in the given trace current x-axis. The given unit must correspond to the given trace domain type. If no unit is specified with the <x-parameter>, then the default unit is used. The query version of the command returns the location of the given trace upper limit point on the x-axis followed by the unit. If an error occurs, such as limit not ON, then the query version of the command returns an error code of -400. Limit line must be on for the command to be valid. Use :CALCulate:LIMit:TYPE to set the currently active limit line.

Syntax: :CALCulate<Tr>:LIMit:UPPer:POINt:X <x-parameter>
:CALCulate<Tr>:LIMit:UPPer:POINt:X?

Cmd Parameter: <Nrf> <x-parameter> (hertz, seconds, meters, feet)

Query Response: <NR3> <x-parameter> (hertz, nanoseconds, meters, feet)

Default Unit: Hz for Frequency domain,
Seconds for Time domain
Meters or Feet for distance domain.

Upper Limit Point X Value (continued)

Example: To set the trace 4 upper limit point to 5000 Hertz (trace 4 in frequency domain):

```
:CALCulate4:LIMit:UPPer:POINt:X 5000
```

OR to 500 MHz:

```
:CALCulate4:LIMit:UPPer:POINt:X 500 MHz
```

To set the trace 1 upper limit point to 5 Feet (trace 1 in distance domain with current distance unit in meter):

```
:CALCulate:LIMit:UPPer:POINt:X 5 FT
```

OR to 4 Meter

```
:CALCulate1:LIMit:UPPer:POINt:X 4 M
```

```
:CALCulate:LIMit:UPPer:POINt:X 4
```

To set the trace 2 upper limit point to 2.5 nanoseconds (trace 2 in time domain):

```
:CALCulate2:LIMit:UPPer:POINt:X 2.5 ns
```

To set the trace 3 upper limit point to 25 microseconds (trace 3 in time domain):

```
:CALCulate3:LIMit:UPPer:POINt:X 25 μs
```

Related Command: :CALCulate:LIMit:TYPe
:CALCulate<Tr>:LIMit:UPPer:POINt:Y
[:SENSe]:TRACe<Tr>:DOMain
[:SENSe]:TRACe<Tr>:SElect

Front Panel

Access: **Shift 6** (Limit), Limit Edit, Limit X

Upper Limit Point Y Value

:CALCulate<Tr>:LIMit:UPPer:POINt:Y

Description: Sets the location of the upper limit point of the given trace <Tr> on the y-axis at the specified location. <Tr> is the trace number in the range 1 to 4. If no trace number is specified then default trace is trace number 1. Sending the set command changes the Move Limit on the front panel to Point if it is currently set to Limit and sets the given trace as the active trace. The <y-parameter> is defined in the given trace current y-axis. If no unit is specified with the <y-parameter>, then the default unit is used. The query version of the command returns the location of the given trace upper limit point on the y-axis. If an error occurs, such as limit not ON, then the query version of the command returns an error code of -400. Limit line must be on for the command to be valid. Use :CALCulate:LIMit:TYPE to set the currently active limit line.

Syntax: :CALCulate<Tr>:LIMit:UPPer:POINt:Y <y-parameter>
:CALCulate<Tr>:LIMit:UPPer:POINt:Y?

Cmd Parameter: <Nrf> <y-parameter> (depends on display type)

Query Response: <NR3> <y-parameter> (depends on display type)

Default Unit: Current active trace y-axis unit

Related Command: :CALCulate:LIMit:TYPE
:CALCulate<Tr>:LIMit:UPPer:POINt:X
[:SENSe]:TRACe<Tr>:SElect
:CALCulate<Tr>:FORMat

Front Panel

Access: **Shift 6** (Limit), Limit Edit, Amplitude

Upper Limit State

:CALCulate<Tr>:LIMit:UPPer [:STATe]

Description: Turns the upper limit line of the given trace <Tr> ON or OFF. <Tr> is the trace number in the range 1 to 4. If no trace number is specified, then default trace is trace number 1. The query version of the command returns a 1 if the upper limit line of the given trace is ON and returns a 0 if the upper limit line of the given trace is OFF.

Syntax
 :CALCulate<Tr>:LIMit:UPPer [:STATe] OFF|ON|0|1
 :CALCulate<Tr>:LIMit:UPPer [:STATe]?

Cmd Parameter: <boolean> OFF|ON|0|1

Query Response: <bNR1> 0|1

Default Value: OFF or 0 (query returns 0 for OFF)

Example: To turn on upper limit of trace 1:

```
:CALCulate:LIMit:UPPer ON
:CALCulate1:LIMit:UPPer 1
:CALCulate:LIMit:UPPer:STATe ON
```

To turn off upper limit of trace 4:

```
:CALCulate4:LIMit:UPPer OFF
:CALCulate4:LIMit:UPPer 0
:CALC4:LIM:UPP:STAT 0
```

Related Command: :CALCulate:LIMit [:STATe]

Front Panel

Access: **Shift 6** (Limit), Limit State

Upper Limit X Value

:CALCulate<Tr>:LIMit:UPPer:X

Description: Moves the upper limit of the given trace <Tr> on the x-axis to the given value. <Tr> is the trace number in the range 1 to 4. If no trace number is specified, then the <Tr> parameter defaults to trace number 1. <x-parameter> is defined in the given trace current x-axis. The unit given with the <x-parameter> must correspond to the given trace domain type. If no unit is specified with the <x-parameter>, then the default unit is used. The set version of the command changes the Move Limit on the front panel to Limit if it is currently set to Point and sets the given trace as the active trace. The query version of the command returns the location of the given trace upper limit point on the x-axis followed by the unit. If an error occurs, such as limit not ON, then the query version of the command returns an error code of -400. Limit line must be on for the command to be valid. Use the command :CALCulate:LIMit:TYPE to set the currently active limit line.

Syntax: :CALCulate<Tr>:LIMit:UPPer:X <x-parameter>
:CALCulate<Tr>:LIMit:UPPer:X?

Cmd Parameter: <NRf> <x-parameter> (hertz, seconds, meters, feet)

Query Response: <NR3> <x-parameter> (hertz, nanoseconds, meters, feet)

Default Unit: Hz for Frequency domain,
Seconds for Time domain
Meters or Feet for distance domain.

Upper Limit X Value (continued)

Example: To move the trace 4 upper limit to 5000 Hertz (trace 4 in frequency domain):

```
:CALCulate4:LIMit:UPPer:X 5000
```

OR to 500 MHz:

```
:CALCulate4:LIMit:UPPer:X 500 MHz
```

To move the trace 1 upper limit to 5 feet (trace 1 in distance domain with current distance unit in meter):

```
:CALCulate:LIMit:UPPer:X 5 FT
```

OR to 4 Meter

```
:CALCulate1:LIMit:UPPer:X 4 M
```

```
:CALCulate:LIMit:UPPer:X 4
```

To set the trace 2 upper limit point to 2.5 nanoseconds (trace 2 in time domain):

```
:CALCulate2:LIMit:UPPer:X 2.5
```

```
:CALCulate2:LIMit:UPPer:X 2.5 ns
```

To set the trace 3 upper limit point to 25 microseconds (trace 3 in time domain):

```
:CALCulate3:LIMit:UPPer:X 25 µs
```

Related Command: :CALCulate:LIMit:TYPe
:CALCulate<Tr>:LIMit:UPPer:Y
[:SENSe]:TRACe<Tr>:DOMain
[:SENSe]:TRACe<Tr>:SElect

Front Panel

Access: **Shift 6** (Limit), Limit Edit, Limit X

Upper Limit Y Value

:CALCulate<Tr>:LIMit:UPPer:Y

Description: Sets the location of the upper limit line of the given trace <Tr> on the y-axis at the given value. This moves the entire upper limit and moves the current active limit point by the given value. <Tr> is the trace number in the range 1 to 4. If no trace number is specified, then default trace is trace number 1. The <y-parameter> is defined in the current y-axis. If no unit is specified with the <y-parameter>, then the default unit is used. The set version of the command changes the Move Limit on the front panel to Limit if it is currently set to Point and sets the given trace as the active trace. The query version of the command returns the location of the active limit point on the y-axis. If an error occurs, such as limit not ON, then the query version of the command returns an error code of -400. Limit line must be on for the command to be valid. Use :CALCulate:LIMit:TYPE to set the currently active limit line.

Syntax: :CALCulate<Tr>:LIMit:UPPer:Y <y-parameter>
:CALCulate<Tr>:LIMit:UPPer:Y?

Cmd Parameter: <Nrf> <y-parameter> (depends on display type)

Query Response: <NR3> <y-parameter> (depends on display type)

Default Unit: Current active trace y-axis unit

Related Command: :CALCulate:LIMit:TYPE
:CALCulate<Tr>:LIMit:UPPer:X
[:SENSe]:TRACe<Tr>:SELEct
:CALCulate<Tr>:FORMat

Front Panel

Access: **Shift 6** (Limit), Limit Edit, Amplitude

Limit X Value

:CALCulate:LIMit:X

Description: Sets the location of the active limit point on the x-axis at the specified location. This moves the entire limit and moves the active limit point to the given value. The `<x-parameter>` given unit must correspond to the current active trace domain type. If no unit is specified with the `<x-parameter>`, then the default unit is used. Sending the set command changes the Move Limit on the front panel to Limit if it is currently set to Point. The query version of the command returns the location of the active limit point on the x-axis followed by the unit. If an error occurs, such as limit not ON, then the query version of the command returns an error code of -400. Limit line must be on for the command to be valid. Use `:CALCulate:LIMit:TYPE` to set the currently active limit line.

Syntax: `:CALCulate:LIMit:X <x-parameter>`
`:CALCulate:LIMit:X?`

Cmd Parameter: `<NRf>` `<x-parameter>` (hertz, seconds, meters, feet)

Query Response: `<NR3>` `<x-parameter>` (hertz, nanoseconds, meters, feet)

Default Unit: Hz for Frequency domain,
Seconds for Time domain
Meters or Feet for distance domain.

Limit X Value (continued)

Example: To move the active limit to 5000 Hertz (active trace in frequency domain):

```
:CALCulate:LIMit:X 5000
```

OR to 500 MHz:

```
:CALCulate:LIMit:X 500MHz
```

To move the active limit to 5 Feet (active trace in distance domain with current distance unit in feet):

```
:CALCulate:LIMit:X 5FT
```

OR to 4 Meter

```
:CALCulate:LIMit:X 4M
```

```
:CALCulate:LIMit:X 4
```

To move the active limit to 2.5 nanoseconds (active trace in time domain):

```
:CALCulate:LIMit:X 2.5
```

```
:CALCulate:LIMit:X 2.5ns
```

To move the active limit point to 25 microseconds (active trace in time domain):

```
:CALCulate:LIMit:X 25µs
```

Related Command:

```
:CALCulate:LIMit:TYPE
```



```
:CALCulate:LIMit:Y
```



```
[:SENSe]:TRACe<Tr>:DOMain
```



```
[:SENSe]:TRACe<Tr>:SElect
```

Front Panel

Access: **Shift 6** (Limit), Limit Edit, Limit X

Limit Y Value

:CALCulate:LIMit:Y

Description: Sets the location of the active limit line on the y-axis at the given value. This moves the entire limit and moves the current active limit point by the given value. Sending this command changes the Move Limit on the front panel to Limit if it is currently set to Point. The <y-parameter> is defined in the current y-axis. If no unit is specified with the <y-parameter>, then the default unit is used. The query version of the command returns the location of the active limit point on the y-axis. If an error occurs, such as limit not ON, then the query version of the command returns an error code of -400. Limit line must be on for the command to be valid. Use :CALCulate:LIMit:TYPE to set the currently active limit line.

Syntax: :CALCulate:LIMit:Y <y-parameter>
:CALCulate:LIMit:Y?

Cmd Parameter: <NRf> <y-parameter> (depends on display type)

Query Response: <NR3> <y-parameter> (depends on display type)

Default Unit: Current active trace y-axis unit

Related Command: :CALCulate:LIMit:TYPE
:CALCulate:LIMit:X
[:SENSe]:TRACe<Tr>:SElect
:CALCulate<Tr>:FORMat

Front Panel

Access: **Shift 6** (Limit), Limit Edit, Amplitude

3-8 :CALCulate:MARKer Subsystem

This subsystem contains commands to manipulate data markers.

Turn All Markers Off

:CALCulate:MARKer:AOff

Turns off all markers. This command turns off all markers that are not currently set to off.

Marker Data

:CALCulate:MARKer:DATA?

Description: Reports the marker information. Each marker data is separated by a comma and data are returned similar to that when Readout Format is set to Table.

Syntax: :CALCulate:MARKer:DATA?

Cmd Parameter: NA (query only)

Query Response: <char> (comma separated data)

Front Panel

Access: NA

Delta Marker Reference To

:CALCulate:MARKer [1] | 2 | 3 | 4 | 5 | 6 | 7 | 8 :DELTA:REFERENCE

Description: Sets the specified delta marker reference to the given reference marker specified by <Mk>. <Mk> is the reference marker number in the range of 1 to 8. The query version of the command returns the reference marker number to which the specified delta marker should be referenced. If the selected marker is not a delta marker, then -230 is returned. Note that the set version of this command sets the specified delta marker as the active marker. The given reference marker number must be currently set as a reference marker, and the specified delta marker number must currently be set as delta marker. Also, both markers (delta and reference) must be in the same domain type.

Syntax: :CALCulate:MARKer [1] | 2 | 3 | 4 | 5 | 6 | 7 | 8 :DELTA:REFERENCE <Mk>
:CALCulate:MARKer [1] | 2 | 3 | 4 | 5 | 6 | 7 | 8 :DELTA:REFERENCE?

Cmd Parameter: <char> <Mk>

Query Response: <char> <Mk>

Default Value: -230 (The selected marker is a reference marker)

Example: Set Marker 1 as the reference marker of delta Marker 3:

```
:CALCulate:MARKer3:DELTA:REFERENCE 1
:CALC:MARK3:DELTA:REF 1
```

Related Command: :CALCulate:MARKer<Mk>:TYPE,
:CALCulate:MARKer<Mk>:DOMAIN?

Front Panel

Access: **Marker**, Avail Ref Mkr

Delta Marker State

:CALCulate:MARKer [1] | 2 | 3 | 4 | 5 | 6 | 7 | 8 :DELTA [:STATE]

Description: Sets the specified marker as the active marker and turns it on or off. If the value is set to ON or 1, then the specified marker is turned on and is set as a delta marker. If the value is set to OFF or 0, then the specified marker is turned off. The query version of the command returns a 1 if the specified marker is a delta marker, and returns a 0 if it is not a delta marker.

Syntax: :CALCulate:MARKer [1] | 2 | 3 | 4 | 5 | 6 | 7 | 8 :DELTA [:STATE]
 OFF | ON | 0 | 1
 :CALCulate:MARKer [1] | 2 | 3 | 4 | 5 | 6 | 7 | 8 :DELTA [:STATE] ?

Cmd Parameter: <boolean> OFF | ON | 0 | 1

Query Response: <bNR1> 0 | 1

Default Value: OFF

Example: To turn on marker #3 and set it as a delta marker:

```
:CALCulate:MARKer3:DELTA ON
:CALCulate:MARKer3:DELTA 1
:CALCulate:MARKer3:DELTA:STATE ON
:CALCulate:MARKer3:DELTA:STATE 1
```

To turn off delta marker #6:

```
:CALCulate:MARKer6:DELTA OFF
:CALCulate:MARKer6:DELTA:STATE OFF
:CALCulate:MARKer6:DELTA:STATE 0
```

Related Command: :CALCulate:MARKer:DELTA:REFERENCE

Front Panel

Access: **Marker**, Marker Type

Marker Readout Format

:CALCulate:MARKer:DISPlay:FORMat

Description: Sets the display readout format for markers. The query version of the command returns “NONE” if the display readout format is set to None, “SCRE” if Screen, “TABL” if Table, and “TRAC” if Trace.

Syntax: :CALCulate:MARKer:DISPlay:FORMat
 NONE | SCREen | TABLe | TRACe
 :CALCulate:MARKer:DISPlay:FORMat?

Cmd Parameter: <char> NONE | SCREen | TABLe | TRACe

Query Response: <char> NONE | SCRE | TABL | TRAC

Default Value: NONE

Example: To set marker readout format to Table:

```
:CALCulate:MARKer:DISPlay:FORMat TABLe
:CALCulate:MARKer:DISPlay:FORMat TABL
:CALC:MARK:DISP:FORM TABL
```

Front Panel

Access: **Marker**, Readout Format

Marker Domain Type

:CALCulate:MARKer<Mk>:DOMain?

Description: Query the specified marker <Mk> domain type. <Mk> is the marker number in the range of 1 to 8. If no marker number is specified, then the marker number (the <Mk> value) defaults to 1. This command returns “FREQ” if the specified marker domain is frequency, “TIME” if time, and “DIST” if distance.

Syntax: :CALCulate:MARKer<Mk>:DOMain?

Cmd Parameter: **NA** (query only)

Query Response: <char> FREQ | TIME | DIST

Front Panel

Access: **NA**

Marker Readout Style

:CALCulate:MARKer<Mk>:FORMat

Description: Sets the specified marker <Mk> readout style. <Mk> is the marker number in the range of 1 to 8. If no marker number is specified, then the marker number (the <Mk> value) defaults to 1. <Style> is the marker readout style and must be one of the following values:

GRAPH | LMAGnitude | LOGPhase | PHASe | RLIMaginary | SWR |
 IMPedance | ADMittance | NIMPedance | NADMittance |
 PIMPedance | GDElay | LM/2 | LINMagnitude | LINPhase

The query version of the command returns "GRAP" if the specified marker readout style is set to Graph Type, "LMAG" if the specified marker readout style is set to Log Magnitude, "LOGP" if Log Mag and Phase, "PHAS" if Phase, "RLIM" if Real and Imaginary, "SWR" if standing wave ratio, "IMP" for impedance, "ADM" for admittance, "NIMP" for normalized impedance, "NADM" for normalized admittance, "PIMP" for polar impedance, "GDEL" if group delay, "LM/2" for log mag/2 (cable loss), "LINM" for Linear Magnitude (Lin Mag), and "LINP" for Linear Magnitude and Phase. Note that the set version of this command sets the specified marker as the active marker.

Syntax: :CALCulate:MARKer<Mk>:FORMat <Style>
 :CALCulate:MARKer<Mk>:FORMat?

Cmd Parameter: <char> <Style> (GRAPH|LMAGnitude|LOGPhase|and so forth)

Query Response: <char> <Style> (GRAP|LMAG|LOGP|and so forth)

Default Value: GRAP

Example: To set marker #3 readout style to Log Mag:

```
:CALCulate:MARKer3:FORMat LMAG
:CALCulate:MARKer3:FORMat LMAGnitude
:CALC:MARK3:FORM LMAG
```

Related Command: :CALCulate:MARKer<Mk>:Y?
 :CALCulate:MARKer:DATA?

Front Panel

Access: **Marker**, Readout Style

Marker (Maximum) Peak Search

:CALCulate:MARKer [1] | 2 | 3 | 4 | 5 | 6 | 7 | 8:MAXimum

Description: Puts the specified marker at the maximum value in the trace. Note that this turns on the selected marker (if it is not already on) and sets the selected marker as the active marker.

Syntax: :CALCulate:MARKer [1] | 2 | 3 | 4 | 5 | 6 | 7 | 8:MAXimum

Cmd Parameter: **NA**

Query Response: **NA** (no query)

Related Command: :CALCulate:MARKer [1] | 2 | 3 | 4 | 5 | 6 | 7 | 8:MINimum

Front Panel

Access: **Marker**, Marker Search, Peak Search

Marker (Minimum) Valley Search

:CALCulate:MARKer [1] | 2 | 3 | 4 | 5 | 6 | 7 | 8:MINimum

Description: Puts the specified marker at the minimum value in the trace. Note that this turns on the selected marker (if it is not already on) and set the selected marker as the active marker.

Syntax: :CALCulate:MARKer [1] | 2 | 3 | 4 | 5 | 6 | 7 | 8:MINimum

Cmd Parameter: **NA**

Query Response: **NA** (no query)

Related Command: :CALCulate:MARKer [1] | 2 | 3 | 4 | 5 | 6 | 7 | 8:MAXimum

Front Panel

Access: **Marker**, Marker Search, Valley Search

Reference Marker State

:CALCulate:MARKer<Mk>:REFerence [:STATe]

Description: Sets the specified marker <Mk> as the active marker and turns it on or off. If the value is set to ON or 1, the specified marker is turned on and set as a reference marker. If the value is set to OFF or 0, the specified marker is turned off. The query version of the command returns a 1 if the specified marker is ON and is a reference marker, and returns a 0 if not. <Mk> is the marker number in the range of 1 to 8. If no marker number is specified, then the marker number (the <Mk> value) defaults to 1.

Syntax: :CALCulate:MARKer<Mk>:REFerence [:STATe] OFF|ON|0|1
:CALCulate:MARKer<Mk>:REFerence [:STATe] ?

Cmd Parameter: <boolean> OFF|ON|0|1

Query Response: <bNR1> 0|1

Default Value: OFF

Example: To turn on marker #3 and set it as reference marker:

```
:CALCulate:MARKer3:REFerence ON
:CALCulate:MARKer3:REFerence 1
:CALCulate:MARKer3:REFerence:STATe ON
:CALCulate:MARKer3:REFerence:STATe 1
```

To turn off marker #6:

```
:CALCulate:MARKer6:REFerence OFF
:CALCulate:MARKer6:REFerence:STATe OFF
:CALCulate:MARKer6:REFerence:STATe 0
```

Front Panel

Access: **Marker**, Marker Type

Marker On Trace

:CALCulate:MARKer<Mk>:SOURce

Description: Sets the specified marker <Mk> to the given trace <Tr>. <Mk> is the marker number in the range of 1 to 8. If no marker number is specified, then the marker number (the <Mk> value) defaults to 1. <Tr> is the trace and must be one of the following 9 values:

TR1 | TR2 | TR3 | TR4 | MEM1 | MEM2 | MEM3 | MEM4 | ALL

The query version of the command returns “TR1” if the specified marker is on trace 1, “TR2” if on trace 2, “TR3” if on trace 3, “TR4” if on trace 4, “MEM1” if on trace 1 memory, “MEM2” if on trace 2 memory, “MEM3” if on trace 3 memory, “MEM4” if on trace 4 memory, and “ALL” if the specified marker is on all 4 traces. Note that the set version of this command sets the specified marker as the active marker.

If an error occurs, such as “Marker not ON”, then the query version of the command returns an error code of -400.

Syntax: :CALCulate:MARKer<Mk>:SOURce <Tr>
:CALCulate:MARKer<Mk>:SOURce?

Cmd Parameter: <char> <Tr>

Query Response: <char> <Tr>

Front Panel

Access: **Marker**, Marker on Trace

Marker Type

:CALCulate:MARKer [1] | 2 | 3 | 4 | 5 | 6 | 7 | 8 :TYPE

Description: Sets the specified marker to the given marker type and makes it the active marker. If set to REF, then the specified marker is turned on and is set as reference marker. If set to DELT, then the specified marker is turned on and is set as a delta marker. If set to OFF, then the specified marker is turned off. The query version of this command returns the string "REF" if the specified marker is set as reference marker, "DELT" if set as delta marker, or "OFF" if the specified marker is currently set to off.

Syntax: :CALCulate:MARKer [1] | 2 | 3 | 4 | 5 | 6 | 7 | 8 :TYPE
REFERENCE | DELT | OFF
:CALCulate:MARKer [1] | 2 | 3 | 4 | 5 | 6 | 7 | 8 :TYPE?

Cmd Parameter: <char> REFERENCE | DELT | OFF

Query Response: <char> REF | DELT | OFF

Default Value: OFF

Example: To set marker #1 as the reference marker and turn it on:

```
:CALCulate:MARKer1:TYPE REFERENCE  
:CALCulate:MARKer:TYPE REF
```

Front Panel

Access: **Marker**, Marker Type

Marker X Value

:CALCulate:MARKer [1] | 2 | 3 | 4 | 5 | 6 | 7 | 8 :X

Description: Sets the location of the marker on the x-axis at the specified location. <x-parameter> is defined in the current x-axis units. The set command sets the specified marker as the active marker. The <x-parameter> given unit must correspond to the specified marker domain type. If no unit is specified with the <x-parameter>, then the default unit is used.

The query version of the command returns the location of the marker on the x-axis followed by the unit. If the Start and Stop values of the domain are the same, then the query returns the X value along with the marker point number within the brackets. The marker point number is determined with the following formula:

$$\text{Marker Point Number} = \frac{\text{No. of Points}}{2} + 1$$

For example, if 201 points are used in the measurement display, then the query returns: <x-value> (101). When the results of division include a fraction, as in the current example, the result is rounded DOWN. $201/2 = 100.5$ Rounding down to 100 before adding 1 yields the 101 that is returned by the query.

If an error occurs, such as marker not ON, then the query version of the command returns an error code of -400. Note that the marker is snapped to the data point closest to the specified value. The selected marker must be ON for the command to be valid.

Syntax: :CALCulate:MARKer [1] | 2 | 3 | 4 | 5 | 6 | 7 | 8 :X <x-parameter>
:CALCulate:MARKer [1] | 2 | 3 | 4 | 5 | 6 | 7 | 8 :X?

Cmd Parameter: <NRf> <x-parameter> (hertz, seconds, meters, feet)

Query Response: <NR3> <x-parameter> (hertz, nanoseconds, meters, feet)

Default Unit: Hz for frequency domain,
Seconds for Time domain,
Meters or Feet for distance domain.

Marker X Value (continued)

Example: To set reference marker #2 (frequency domain) to 5000 hertz on the x-axis:

```
:CALCulate:MARKer2:X 5000  
:CALCulate:MARKer2:X 5000Hz
```

To set reference marker #1 to 1.5 GHz on the x-axis:

```
:CALCulate:MARKer1:X 1.5GHz  
:CALCulate:MARKer1:X 1.5GHz
```

To set reference marker #3 (time domain) to 1.5 nanoseconds on the x-axis:

```
:CALCulate:MARKer3:X 1.5ns
```

To set reference marker #1 (time domain) to 25 us:

```
:CALCulate:MARKer1:X 25us
```

Related Command: :CALCulate:MARKer#:DOMain?
:CALCulate:MARKer [1] | 2 | 3 | 4 | 5 | 6 | 7 | 8 :Y?

Front Panel

Access: **Marker**, [Marker 1/2/3/4/5/6/7/8]

Marker Read Y Value

:CALCulate:MARKer [1] | 2 | 3 | 4 | 5 | 6 | 7 | 8 :Y?

Description: Reads the current Y value for the specified marker. The units are in the y-axis unit. The command returns the marker readout style followed by the Y value and unit. If an error occurs, such as marker not ON, then the command returns an error code of -400. The selected marker must be ON for the command to be valid.

Table 3-3. Returned Readout Style

Returned Value Symbols	Graph Type
R&I: (real, imaginary)	Real and Imaginary
SWR: magnitude	SWR
LM: magnitude dB	Log Mag
LMP: (magnitude dB, phase deg)	Log Mag and Phase
PH: phase deg	Phase
Z: (real impedance ohm, imaginary impedance ohm)	Impedance
PZ: (magnitude impedance ohm, phase impedance deg)	Polar Impedance
NZ: (real normalized impedance, imaginary normalized impedance)	Normalized Impedance
Y: (real admittance S, imaginary admittance S)	Admittance
NY: (real normalized admittance, imaginary normalized admittance)	Normalized Admittance
GD: Group Delay unit	Group Delay
LM/2: magnitude dB	LogMag/2
LNM magnitude dB	Lin Mag
LNMP (magnitude dB, phase deg)	Lin Mag and Phase

Syntax: **:CALCulate:MARKer [1] | 2 | 3 | 4 | 5 | 6 | 7 | 8 :Y?**

Cmd Parameter: **NA** (query only)

Query Response: **<NR3>** (depends on display type)

Default Unit: Current y-axis unit

Marker Read Y Value (continued)

Related Command: :CALCulate:MARKer#:DOMain?
:CALCulate:MARKer<Mk>:FORMat <Style>
:CALCulate:MARKer [1] | 2 | 3 | 4 | 5 | 6 | 7 | 8 :X?

Front Panel

Access: NA

3-9 :CALCulate:MATH Subsystem

This subsystem contains functions for controlling math operations on the currently selected measurement and memory. Trace Math Function

:CALCulate:MATH:FUNCTION

Description: Sets the math operations on the currently active trace and the trace that is stored in memory. Note that a trace **MUST** be stored in Memory. Setting the FUNCTION to **NORMAL** is equivalent of setting the Trace Math to None on the front panel. Setting the FUNCTION to **ADD** is equivalent of setting the Trace Math to Trace Plus Memory on the front panel. Setting the FUNCTION to **SUBTRACT** is equivalent to setting the Trace Math to Trace Minus Memory on the front panel. Setting the FUNCTION to **MULTIPLY** is equivalent to setting the Trace Math to Trace Multiply Memory on the front panel. Setting the FUNCTION to **DIVIDE** is equivalent to setting the Trace Math to Trace Divide Memory on the front panel.

The query version of the command returns the string **NORM** for no trace math, **ADD** for trace plus memory, **SUBT** for trace minus memory, **MULT** for trace multiply memory, and **DIV** for trace divide memory.

Syntax: :CALCulate:MATH:FUNCTION
 NORMAL|ADD|SUBTRACT|MULTIPLY|DIVIDE
 :CALCulate:MATH:FUNCTION?

Cmd Parameter: <char> NORMAL|ADD|SUBTRACT|MULTIPLY|DIVIDE

Query Response: <char> NORM|ADD|SUBT|MULT|DIV

Default Value: NORM

Related Command: :CALCulate:MATH:MEMorize

Front Panel

Access: **Shift 5** (Trace), Trace Math

Trace To Memory

:CALCulate:MATH:MEMorize

Description: Copies the current measurement trace into memory.

Syntax: :CALCulate:MATH:MEMorize

Cmd Parameter: NA

Query Response: NA (no query)

Front Panel

Access: **Shift 5** (Trace), Save Trace to Memory

3-10 :CALCulate:SMOothing Subsystem

This subsystem contains functions for trace smoothing.

Smoothing

:CALCulate<Tr>:SMOothing:APERTure

Description: Sets the smoothing percentage for the given trace <Tr>. The query form of the command returns the current smoothing percentage. <Tr> is the trace number in the range 1 to 4. If no trace number is specified, then the <Tr> parameter defaults to trace number 1. Note that setting the smoothing also sets the given trace as the active trace if it is not already active.

Syntax: :CALCulate<Tr>:SMOothing:APERTure <integer>
:CALCulate<Tr>:SMOothing:APERTure?

Cmd Parameter: <NR1> <integer>

Query Response: <NR1> <integer>

Range: 0 to 20

Default Value: 0

Front Panel

Access: **Shift 4** (Measure), Smoothing %

3-11 :CALCulate:TRANSform Subsystem

Front panel soft keys that are related to distance measurements, such as the Additional Dist Setup soft key, appear in menus only when the Setup Domain is set up for distance.

Maximum Distance

:CALCulate:TRANSform:DIStance:MAXimum?

Description: This command returns the maximum distance in millimeters if the current distance unit is set to meter, and otherwise returns the maximum distance in feet. This value is set based on the number of data points, propagation velocity, and start and stop frequency.

Syntax: :CALCulate:TRANSform:DIStance:MAXimum?

Cmd Parameter: NA (query only)

Query Response: <NR3> (millimeters or feet)

Range: -3000.0 m to +3000.0 m

Default Unit: millimeters (mm)

Front Panel

Access: **Freq/Time/Dist**, Additional Dist Setup, Distance Info

Distance Resolution

:CALCulate:TRANSform:DIStance:RESolution?

Description: This command returns the distance resolution in millimeters if the current distance unit is set to meter, and otherwise returns the resolution in feet. This value is set based on the propagation velocity, start and stop frequency.

Syntax: :CALCulate:TRANSform:DIStance:RESolution?

Cmd Parameter: NA (query only)

Query Response: <NR3> (millimeters or feet)

Range: -3000.0 m to +3000.0 m

Default Unit: millimeters (mm)

Front Panel

Access: **Freq/Time/Dist**, Additional Dist Setup, Distance Info

Start Distance

:CALCulate:TRANSform:DIStance:STARt

Description: Sets the start distance for DTF measurements. The query version of this command returns the start distance in millimeters if the current distance unit is set to meter, and otherwise returns the start distance in feet.

Syntax: :CALCulate:TRANSform:DIStance:STARt
:CALCulate:TRANSform:DIStance:STARt?

Cmd Parameter: <NRf> (meters or feet)

Query Response: <NR3> (millimeters or feet)

Range: -3000.0 m to +3000.0 m

Default Value: 0.0 mm

Default Unit: Meters (m) when setting, Millimeters (mm) for query

Example: To set the start distance to 5 meters:

```
:CALC:TRAN:DISt:STAR 5
```

To set the start distance to 6 millimeters:

```
:CALCulate:TRANSform:DIStance:STARt 6mm
```

Front Panel

Access: **Freq/Time/Dist**, Start Dist

Stop Distance

:CALCulate:TRANSform:DIStance:STOP

Description: Sets the stop distance for DTF measurements. The query version of this command returns the stop distance in millimeters if the current distance unit is set to meter, and otherwise returns the stop distance in feet.

Syntax: :CALCulate:TRANSform:DIStance:STOP
:CALCulate:TRANSform:DIStance:STOP?

Cmd Parameter: <NRf> (meters or feet)

Query Response: <NR3> (millimeters or feet)

Range: -3000.0 m to +3000.0 m

Default Value: 6850 mm

Default Unit: Meters (m) when setting, Millimeters (mm) for query

Front Panel

Access: **Freq/Time/Dist**, Stop Dist

Distance Units

:CALCulate:TRANSform:DISTance:UNIT

Description: Sets the units to be used for DTF measurements. The query version of this command returns the string "METER" if the current distance unit is set to meter, and otherwise returns the string "FEET".

Syntax: :CALCulate:TRANSform:DISTance:UNIT METers | FEET
:CALCulate:TRANSform:DISTance:UNIT?

Cmd Parameter: <char> METers | FEET

Query Response: <char> METER | FEET

Default Value: METers when setting, METER for query

Example: To set the distance unit to Meter:

```
:CALCulate:TRANSform:DISTance:UNIT METers  
:CALC:TRAN:DIST:UNIT MET
```

To set the distance unit to Feet:

```
:CALC:TRAN:DIST:UNIT FEET  
:CALCulate:TRANSform:DISTance:UNIT FEET
```

Front Panel

Access: **Shift 8** (System), Application Options, Units

Distance Domain Window Shape

:CALCulate:TRANSform:DIStance:WINDow

Description: Sets the distance domain window shape (used for pre-processing the frequency domain data) for all traces. Setting the window to `RECTangular` sets the window shape to rectangular. Setting the window to `NSL` sets the window shape to Nominal Side Lobe view. Setting the window to `LSL` sets the window shape to Low Side Lobe view. Setting the window to `MSL` sets the window shape to Minimum Side Lobe.

This command performs the same function as the command `:CALCulate:TRANSform:TIME:WINDow`. Either command changes the window shape for both the time and distance domain traces.

The query version of this command returns `RECT` for Rectangular view, `NSL` for Nominal Side Lobe, `LSL` for Low Side Lobe, and `MSL` for Minimum Side Lobe view.

Syntax: `:CALCulate:TRANSform:DIStance:WINDow`
`RECTangular|NSL| |LSL|MSL`
`:CALCulate:TRANSform:DIStance:WINDow?`

Cmd Parameter: `<char> RECTangular|NSL| |LSL|MSL`

Query Response: `<char> RECT|NSL| |LSL|MSL`

Default Value: `NSL`

Example: To set the window to rectangular:

`:CALC:TRAN:DISt:WIND RECT`

OR:

`:CALCulate:TRANSform:DIStance:WINDow RECTangular`

Related Command: `:CALCulate:TRANSform:TIME:WINDow`

Front Panel

Access: **Freq/Time/Distance**, Windowing

Maximum Time

:CALCulate:TRANSform:TIME:MAXimum?

Description: This command returns the maximum time in nanoseconds. This value is set based on the number of data points and the start and stop frequencies.

Syntax: :CALCulate:TRANSform:TIME:MAXimum?

Cmd Parameter: NA (query only)

Query Response: <NR3> nanoseconds

Range: -100 ms to +100 ms

Default Unit: nanoseconds (ns)

Front Panel

Access: **Freq/Time/Dist**, Time Info

Time Resolution

:CALCulate:TRANSform:TIME:RESolution?

Description: This command returns the time resolution in nanoseconds. This value is set based on the start and stop frequencies.

Syntax: :CALCulate:TRANSform:TIME:RESolution?

Cmd Parameter: NA (query only)

Query Response: <NR3> nanoseconds

Range: -100 ms to +100 ms

Default Unit: nanoseconds (ns)

Front Panel

Access: **Freq/Time/Dist**, Time Info

Start Time

:CALCulate:TRANSform:TIME:START

Description: Sets the start time. The query version returns the current start time in nanoseconds.

Syntax: :CALCulate:TRANSform:TIME:START
:CALCulate:TRANSform:TIME:START?

Cmd Parameter: <NRf> seconds

Query Response: <NR3> nanoseconds

Range: -100 ms to +100 ms

Default Value: 0 ps

Default Unit: Seconds (s) when setting, nanoseconds (ns) for query

Example: To set the start time to 10 microseconds:

```
:CALC:TRAN:TIME:STAR 10us
```

To set the start time to 20 nanoseconds:

```
:CALCulate:TRANSform:TIME:START 20ns
```

Front Panel

Access: **Freq/Time/Dist**, Start Time

Stop Time

:CALCulate:TRANSform:TIME:STOP

Description: Sets the stop time. The query version returns the current stop time in nanoseconds.

Syntax: :CALCulate:TRANSform:TIME:STOP
:CALCulate:TRANSform:TIME:STOP?

Cmd Parameter: <NRf> seconds

Query Response: <NR3> nanoseconds

Range: -100 ms to +100 ms

Default Value: 20 ns

Default Unit: Seconds (s) when setting, nanoseconds (ns) for query

Front Panel

Access: **Freq/Time/Dist**, Stop Time

Reflection Calculation for Time Domain

:CALCulate:TRANSform:TIME:TRIP

Description: Sets the trip length of the time transform for the reflection parameters (S_{11} or S_{22}). For these reflection parameters, the x-axis scale can either represent a one-way path (the time required to reach the end of the DUT only – for example, the time to the end of the cable only) or a round-trip path (total time traversed through the DUT – for example, the time to the end of the cable and back).

The query version of this command returns the string `ONE` if the current reflection calculation is set to one-way and `ROUND` if set to round trip. Note that the distance transform always uses the one-way path and is not impacted by this setting.

Syntax: :CALCulate:TRANSform:TIME:TRIP `ONEway|ROUNDtrip`
:CALCulate:TRANSform:TIME:TRIP?

Cmd Parameter: <char> `ONEway|ROUNDtrip`

Query Response: <char> `ONE|ROUND`

Default Value: `ONE`

Front Panel

Access: **Shift-8** (System), Application Options, Time Domain, Reflection Calc in Time

Time Domain Processing Type

:CALCulate:TRANSform:TIME:TYPE?

Description: Queries the instrument to determine if the time domain processing currently being used is lowpass (query returns `LPAS`) or is bandpass (query returns `BPAS`).

Syntax: :CALCulate:TRANSform:TIME:TYPE?

Cmd Parameter: `NA` (query only)

Query Response: <char> `LPAS|BPAS`

Default Value: `LPAS`

Front Panel

Access: `NA`

Time Domain Processing Mode

:CALCulate:TRANSform:TIME:TYPE:AUTO

Description: Sets the time domain transformation mode to either Auto (use parameters ON or 1) or bandpass only (use parameters OFF or 0). In Auto mode, the instrument uses lowpass time domain processing if the instrument settings allow that (which typically occurs when the sweep is a harmonic sweep). Otherwise, it uses bandpass processing. In bandpass only mode (Auto OFF), the instrument forces the processing to be always bandpass.

The query version of this command returns 1 if time domain processing is currently set to automatic, or returns a 0 if Auto mode is set to OFF (bandpass only mode).

Syntax: :CALCulate:TRANSform:TIME:TYPE:AUTO ON|OFF|1|0
:CALCulate:TRANSform:TIME:TYPE:AUTO?

Cmd Parameter: <boolean> OFF|ON|0|1

Query Response: <bNR1> 0|1

Default Value: 1

Example: To set to Auto mode:

```
:CALCulate:TRANSform:TIME:TYPE:AUTO ON
```

Front Panel

Access: **Shift-8** (System), Application Options, Time Domain, Domain Processing

Time Domain Window Shape

:CALCulate:TRANSform:TIME:WINDow

Description: Sets the time domain window shape (which is used for pre-processing the frequency domain data) for all traces. Setting the window to `RECTangular` sets the window shape to rectangular. Setting the window to `NSL` sets the window shape to Nominal Side Lobe view. Setting the window to `LSL` sets the window shape to Low Side Lobe view. Setting the window to `MSL` sets the window shape to Minimum Side Lobe.

This command performs the same function as the command `:CALCulate:TRANSform:DISTance:WINDow`. Either command changes the window shape for both the time and distance domain traces.

The query version of this command returns `RECT` for Rectangular view, `NSL` for Nominal Side Lobe, `LSL` for Low Side Lobe, and `MSL` for Minimum Side Lobe view.

Syntax: `:CALCulate:TRANSform:TIME:WINDow`
`RECTangular|NSL||LSL|MSL`
`:CALCulate:TRANSform:TIME:WINDow?`

Cmd Parameter: `<char> RECTangular|NSL||LSL|MSL`

Query Response: `<char> RECT|NSL||LSL|MSL`

Default Value: `NSL`

Example: To set the window to rectangular:

```
:CALC:TRAN:TIME:WIND RECT
```

OR:

```
:CALCulate:TRANSform:TIME:WINDow RECTangular
```

Related Command: `:CALCulate:TRANSform:DISTance:WINDow`

Front Panel

Access: **Freq/Time/Distance**, Windowing

Get Distance List

:CALCulate<Tr>:TRANSform:DISTance:DATA?

Description: Produces the distance list in meters for the given trace. <Tr> is the trace number in the range 1 to 8 (1 to 4 for Traces TR1 to TR4 and 5 to 8 for Memory M1 to M4). If no trace number is specified, then the <Tr> parameter defaults to trace number 1. The response begins with an ASCII header that specifies the number of data bytes. It appears in the format #AX, where A is the number of digits in X, and X is the number of bytes that follow the header. Each distance value is returned in scientific notation and separated by a comma delimiter.

Syntax: :CALCulate<Tr>:TRANSform:DISTance:DATA?

Cmd Parameter: NA (query only)

Query Response: <char> returns block data (meters)

Default Unit: Meters

Related Command: :CALCulate<Tr>:TRANSform:TIME:DATA?
:SENSe<Tr>:FREQuency:DATA?

Front Panel

Access: **NA**

Band Pass Mode Response

:CALCulate<Tr>:TRANSform:TIME:BPASS:STIMulus

Description: Sets the response type to be used in the band pass transformation process for the given trace. The response type is set to either Standard or Phasor Impulse. <Tr> is the trace number in the range 1 to 4. If no trace number is specified, then the <Tr> parameter defaults to trace number 1. The query version of this command returns the string STAN for Standard (no phasor impulse) and PHAS for phasor impulse.

Syntax: :CALCulate<Tr>:TRANSform:TIME:BPASS:STIMulus
STANdard|PHASor
:CALCulate<Tr>:TRANSform:TIME:BPASS:STIMulus?

Cmd Parameter: <char> STANdard|PHASor

Query Response: <char> STAN|PHAS

Default Unit: STAN

Example: To Set Trace 1 to Phasor Impulse:

```
:CALCulate:TRANSform:TIME:BPASS:STIMulus PHASor
```

OR:

```
:CALC1:TRAN:TIME:BPAS:STIM PHAS
```

Related Command: :CALCulate:TRANSform:TIME:TYPE:AUTO

```
:CALCulate:TRANSform:TIME:TYPE?
```

Front Panel

Access: **Shift-4** (Measure), Domain Selection, Band Pass Response
(Note that access via this key sequence requires that the domain processing be set to "Band Pass".)

Get Time List

:CALCulate<Tr>:TRANSform:TIME:DATA?

Description: Produces the time list in nanoseconds for the given trace. <Tr> is the trace number in the range 1 to 8 (1 to 4 for Traces TR1 to TR4 and 5 to 8 for Memory M1 to M4). If no trace number is specified, then the <Tr> parameter defaults to trace number 1. The response begins with an ASCII header that specifies the number of data bytes. It appears in the format #AX, where A is the number of digits in X, and X is the number of bytes that follow the header. Each time value is returned in scientific notation and separated by a comma delimiter.

Syntax: :CALCulate<Tr>:TRANSform:TIME:DATA?

Cmd Parameter: NA (query only)

Query Response: <char> returns block data (nanoseconds)

Default Unit: Nanoseconds (ns)

Related Command: :CALCulate<Tr>:TRANSform:DIStance:DATA?
:SENSe<Tr>:FREQuency:DATA?

Front Panel

Access: **NA**

Low Pass Mode Response

:CALCulate<Tr>:TRANSform:TIME:LPASs:STIMulus

Description: Sets the response type to be used in the low pass transformation process for the given trace. The response type is set to either Impulse or Step. <Tr> is the trace number in the range 1 to 4. If no trace number is specified, then the <Tr> parameter defaults to trace number 1. The query version of this command returns the string STEP for step response and IMP for impulse response.

Syntax: :CALCulate<Tr>:TRANSform:TIME:LPASs:STIMulus
STEP|IMPulse
:CALCulate<Tr>:TRANSform:TIME:LPASs:STIMulus?

Cmd Parameter: <char> STEP|IMPulse

Query Response: <char> STEP|IMP

Default Unit: IMP

Example: To Set trace 1 to Step:

```
:CALCulate:TRANSform:TIME:LPASs:STIMulus STEP
```

OR:

```
:CALC1:TRAN:TIME:LPAS:STIM STEP
```

Related Command: :CALCulate:TRANSform:TIME:TYPE:AUTO

```
:CALCulate:TRANSform:TIME:TYPE?
```

Front Panel

Access: **Shift-4** (Measure), Domain Selection, Low Pass Response
(Note that access via this key sequence requires that the domain processing be set to “Low Pass”.)

3-12 :Display Subsystem

This subsystem provides commands that modify the display of data for the user. They do not modify the way in which data are returned to the controller.

Trace Display

:DISPlay[:WINDow]:TRACe TRACe|MEMory|BOTH

Description: Sets the display type for the current active trace. Setting the display type to TRAC displays the trace only. Setting the display type to MEM displays the trace memory only. Setting the display type to BOTH displays both the trace and memory.

Syntax: :DISPlay[:WINDow]:TRACe TRACe|MEMory|BOTH
:DISPlay[:WINDow]:TRACe?

Cmd Parameter: <char> TRACe|MEMory|BOTH

Query Response: <char> TRAC|MEM|BOTH

Default Value: TRAC

Front Panel

Access: **Shift 5** (Trace), Display

Trace Format

:DISPlay[:WINDow]:TRACe:FORMat

Description: Defines the display trace format. The query version of this command returns “SING” if the trace format is set to Single, “DUAL” if set to dual, “TRI” if set to Tri, and “QUAD” if set to Quad.

Syntax: :DISPlay[:WINDow]:TRACe:FORMat SINGle|DUAL|TRI|QUAD
:DISPlay[:WINDow]:TRACe:FORMat?

Cmd Parameter: <char> SINGle|DUAL|TRI|QUAD

Query Response: <char> SING|DUAL|TRI|QUAD

Default Value: QUAD

Example: To set the display trace format to Dual:

:DISPlay:TRACe:FORMat DUAL

Front Panel

Access: **Measure**, Trace Format

Group Delay Aperture

:DISPlay:WINDow:TRACe:Y[:SCALe]:GDAPerture

Description: Sets the Group Delay aperture value (which is common to all traces). The query version of this command produces the Group Delay aperture as its output.

Syntax: :DISPlay:WINDow:TRACe:Y[:SCALe]:GDAPerture <integer>
:DISPlay:WINDow:TRACe:Y[:SCALe]:GDAPerture?

Cmd Parameter: <NR1> <integer>

Query Response: <NR1> <integer>

Range: 2 to 20

Default Value: 2

Front Panel

Access: **Scale**, Aperture

Note	Graph type must be Group Delay in order to display the Aperture % soft key in the Scale menu.
-------------	-----------------------------------------------------------------------------------------------

Scale Resolution Per Division

:DISPlay:WINDow:TRACe<Tr>:Y[:SCALe]:PDIVision

Description: Sets the scale per division for the y-axis. For Group Delay, sets the scale (time/division) for the y-axis. For Phase, sets the scale (degree/division) for the y-axis. For Log Magnitude, Log Mag/2, and Log Polar, sets the scale (dB/division) for the y-axis. For Real Impedance and Imaginary Impedance, sets the scale (ohm/division) for the y-axis. For all other measurements, the y-axis is unitless. <Tr> is the trace number in the range 1 to 4. If no trace number is specified, then the <Tr> parameter defaults to trace number 1.

Syntax: :DISPlay:WINDow:TRACe<Tr>:Y[:SCALe]:PDIVision <value>
:DISPlay:WINDow:TRACe<Tr>:Y[:SCALe]:PDIVision?

Cmd Parameter: <Nrf> <value> (depends on display type)

Query Response: <NR3> <value> (depends on display type)

Range: Log Magnitude: 0.05 dB to 40 dB
Phase: 0.1° to 90°
SWR: 0.001 to 10
Group Delay: 1 ps to 260 ns
Real: 0.01 to 260
Imag: 0.01 to 260
Log Mag/2: 0.05 dB to 40 dB
Smith Chart: 1 to 260
Inverted Smith Chart: 1 to 260
Log Polar: 0.05 dB to 40 dB
Linear Polar: 0.001 to 26
Real Impedance: 0.01 ohm to 100000 ohm
Imaginary Impedance: 0.01 ohm to 100000 ohm

Default Value: Log Magnitude: 10 dB
Phase: 45°
SWR: 1
Group Delay: 1 ns
Real: 0.2
Imag: 0.2
Log Mag/2: 10 dB
Smith Chart: 10
Inverted Smith Chart: 10
Log Polar: 10 dB
Linear Polar: 0.2
Real Impedance: 10 ohm
Imaginary Impedance: 10 ohm

Scale Resolution Per Division (continued)

Default Unit: Current active value unit (For time, the default for setting is seconds, but the query is always returned in nanoseconds (ns).)

Note

Although these values are not used for Smith Chart or Inverted Smith Chart, when you query or set through SCPI, the instrument always returns a value. For Smith Chart or Inverted Smith Chart, use

```
:DISPlay:WINDow:TRACe<Tr>:Y[:SCALe]:SMCHart 0|10|20|30|-3
```

Front Panel

Access: **Scale**, Resolution Per Div

Scale Reference Level

:DISPlay:WINDow:TRACe<Tr>:Y[:SCALe]:RLEVEL

Description: Sets the reference level scale value for the y-axis. <Tr> is the trace number in the range 1 to 4. If no trace number is specified, then the <Tr> parameter defaults to trace number 1.

Syntax: :DISPlay:WINDow:TRACe<Tr>:Y[:SCALe]:RLEVEL <value>
:DISPlay:WINDow:TRACe<Tr>:Y[:SCALe]:RLEVEL?

Cmd Parameter: <NR3> <value> (depends on display type)

Query Response: <NR3> <value> (depends on display type)

Range: Log Magnitude: -120 dB to +120 dB
SWR: 1 to 10
Phase: -180° to +180°
Group Delay: 0 ps to 260 ns
Real: -10000 to +10000
Imag: -10000 to +10000
Log Mag/2: -120 dB to +120 dB
Smith Chart: 1 to 260
Inverted Smith Chart: 1 to 260
Log Polar: -120 dB to +120 dB
Linear Polar: 0.005 to 130
Real Impedance: -100000 ohm to +1000000 ohm
Imaginary Impedance: -100000 ohm to +1000000 ohm

Note

Although these values are not used for Smith Chart or Inverted Smith Chart, when you query or set through SCPI, the instrument always returns a value. For Smith Chart or Inverted Smith Chart, use

```
:DISPlay:WINDow:TRACe<Tr>:Y[:SCALe]:SMCHart 0|10|20|30|-3
```

Scale Reference Level (continued)

Default Value: Log Magnitude: 0 dB
SWR: 1
Phase: 0°
Group Delay: 0 ps
Real: 0
Imag: 0
Log Mag/2: 0 dB
Smith Chart: 10
Inverted Smith Chart: 10
Log Polar: 0 dB
Linear Polar: 1
Real Impedance: 50 ohm
Imaginary Impedance: 0 ohm

Default Unit: Current active value unit (For time, the default for setting is seconds, but the query is always returned in nanoseconds (ns).)

Related Command: :DISPlay:WINDow:TRACe<Tr>:Y[:SCALe]:RPOSition

Front Panel

Access: **Scale**, Reference Value

Scale Reference Line

:DISPlay:WINDow:TRACe<Tr>:Y[:SCALe]:RPOSition

Description: Sets the reference line scale value for the y-axis.

Syntax: :DISPlay:WINDow:TRACe<Tr>:Y[:SCALe]:RPOSition <integer>
:DISPlay:WINDow:TRACe<Tr>:Y[:SCALe]:RPOSition?

Cmd Parameter: <NR1> <integer>

Query Response: <NR1> <integer>

Range: Log Magnitude: 0 to 10
SWR: 0 to 10
Phase: 0 to 8
Group Delay: 0 to 10
Real: 0 to 10
Imag: 0 to 10
Log Mag/2: 0 to 10
Smith Chart: 0 to 10
Inverted Smith Chart: 0 to 10
Real Impedance: 0 ohm to 10 ohm
Imaginary Impedance: 0 ohm to 10 ohm

Note

Although this command is not used for Smith Chart, Inverted Smith Chart, or Polar Chart when you query or set through SCPI, the instrument always returns a value. For Smith Chart or Inverted Smith Chart, use

```
:DISPlay:WINDow:TRACe<Tr>:Y[:SCALe]:SMCHart 0|10|20|30|-3
```

Default Value: Log Magnitude: 9
SWR: 1
Phase: 5
Group Delay: 5
Real: 5
Imag: 5
Log Mag/2: 9
Smith Chart: 10
Inverted Smith Chart: 10
Real Impedance: 5 ohm
Imaginary Impedance: 5 ohm

Related Command: :DISPlay:WINDow:TRACe<Tr>:Y[:SCALe]:RLEVel

Front Panel

Access: **Scale**, Reference Line

Smith Chart Scalable Type

:DISPlay:WINDow:TRACe<Tr>:Y[:SCALE]:SMCHart

Description: Sets the Smith Chart or Inverted Smith Chart display scale type of the given trace number specified by <Tr>. <Tr> is the trace number in the range 1 to 4. If no trace number is specified, then the <Tr> parameter defaults to trace number 1. Setting the value to 0 is equivalent to setting the Smith Chart or Inverted Smith Chart scale to “Normal” on the front panel. Setting the value to 10 is equivalent to setting the Smith Chart or Inverted Smith Chart scale to “Expand 10 dB” on the front panel. Setting the value to 20 is equivalent to setting the Smith Chart or Inverted Smith Chart scale to “Expand 20 dB” on the front panel. Setting the value to 30 is equivalent to setting the Smith Chart or Inverted Smith Chart scale to “Expand 30 dB” on the front panel. Setting the value to -3 is equivalent to setting the Smith Chart or Inverted Smith Chart scale to “Compress 3 dB” on the front panel.

Syntax: :DISPlay:WINDow:TRACe<Tr>:Y[:SCALE]:SMCHart
 0|10|20|30|-3
 :DISPlay:WINDow:TRACe<Tr>:Y[:SCALE]:SMCHart?

Cmd Parameter: <char> 0|10|20|30|-3

Query Response: <char> 0|10|20|30|-3

Default Value: 0 (Normal)

Front Panel

Access: **Scale**

3-13 :Format Subsystem

This subsystem contains commands that determine the formatting of numeric data when it is transferred.

The format setting affects data in specific commands only. If a command is affected, then it is noted in the command description.

Numeric Data Format

:FORMat [:READings] [:DATA]

Description: This command specifies the format in which data is returned in certain commands. `ASCIi` format returns the data in comma-separated ASCII format. The units are the current instrument units. This format requires many more bytes, so it is the slowest format.

`INTeger,32` values are signed 32-bit integers in little-endian byte order. This format returns the data in 4-byte blocks.

`REAL,32` values are 32-bit floating point numbers conforming to the IEEE 754 standard in little-endian byte order. This format returns the data in 4-byte binary format. The units are the current instrument units.

Both `INTeger` and `REAL` formats return a definite block length. Each transfer begins with an ASCII header, such as `#42204` for `INTeger,32` and `REAL,32`. The first digit represents the number of following digits in the header (in this example, 4).

The remainder of the header indicates the number of bytes that follow the header (in this example, 2204 for `INT,32` and `REAL,32`). You then divide the number of following bytes by the number of bytes in the data format that you have chosen (4 for both `INTeger,32` and `REAL,32`...so $2204/4$) to get the number of data points (in this example, 551).

Syntax: `:FORMat [:READings] [:DATA] ASCIi | INTeger,32 | REAL,32`
`:FORMat [:READings] [:DATA] ?`

Cmd Parameter: `<char> ASCIi | INTeger,32 | REAL,32`

Query Response: `<char> ASC | INT,32 | REAL,32`

Default Value: `ASC`

Related Command: `:TRACe [:DATA]`

Front Panel

Access: `NA`

3-14 :INITiate Subsystem

This subsystem controls the triggering of measurements.

Continuous/Single Sweep

:INITiate:CONTinuous

Description: Sets the sweep to continuous. If the instrument is currently on hold, and if sweep type is set to continuous, then setting to ON restarts the sweep. If the instrument is currently on hold, and if sweep type is set to single, then setting to ON sets the Sweep Type to Continuous and restart the sweep. If the instrument is currently sweeping, then setting a value of OFF or 0 sets the Sweep Type to Single and holds the sweep. The default value is ON. That is, sending :INIT:CONT is equivalent to sending :INIT:CONT ON. The query version of this command returns a 1 if the instrument is set to Continuous and Run, or it returns a 0 if set to Hold.

Syntax: :INITiate:CONTinuous OFF|ON|0|1
:INITiate:CONTinuous?

Cmd Parameter: <boolean> OFF|ON|0|1

Query Response: <bNR1> 0|1

Default Value: ON or 1 (query returns 1 for ON)

Related Command: :INITiate:HOLD

Front Panel

Access: **Shift 3** (Sweep), Run/Hold

Hold Sweep

:INITiate:HOLD

Description: Sets the sweep to hold. If the instrument is currently sweeping, then setting a value of ON or 1 pauses the sweep. If the instrument is currently not sweeping, and if sweep type is set to continuous, then setting a value of OFF or 0, restarts the sweep. If the instrument is currently not sweeping, and if sweep type is set to single, then setting a value of OFF or 0, triggers a sweep. The query version of the command returns a 1 if the hold command is set, and it returns a 0 if a Run is set.

Syntax: :INITiate:HOLD OFF|ON|0|1
:INITiate:HOLD?

Cmd Parameter: <boolean> OFF|ON|0|1

Query Response: <bNR1> 0|1

Default Value: OFF or 0 (query returns 0 for OFF)

Related Command: :INITiate:CONTinuous

Front Panel

Access: **Shift-3** (Sweep), Run/Hold

Trigger Sweep/Measurement

:INITiate[:IMMEDIATE]

Description: Initiates a sweep/measurement. Use this command in combination with :STATus:OPERation? to synchronize the capture of one complete set of data. When this command is sent, the “sweep complete” bit of :STATus:OPERation? is set to 0, indicating that the measurement is not completed. The data collection is then triggered. The controlling program can poll :STATus:OPERation? to determine the status. When the “sweep complete” bit is set to 1, data is ready to be retrieved.

If sweep is set to Run, and if sweep type is set to Continuous, then sending the :INIT:IMM command restarts the sweep. If sweep is set to Hold or External, and if sweep type is set to Single, then sending the :INIT:IMM command starts a sweep (instrument is temporarily in Run). After a single sweep is completed, the instrument returns to Hold.

Syntax: :INITiate[:IMMEDIATE]

Cmd Parameter: NA

Query Response: NA (no query)

Related Command: :STATus:OPERation?

Front Panel

Access: NA

3-15 :INPut Subsystem

This subsystem controls characteristics of the input port.

IF Gain Mode Setting

:INPut:GAIN:MODE

Description: Sets the method by which the instrument adjusts the gain of the IF path. In AUTO mode, the instrument adjusts the gain depending on the input signal level in order to maximize the dynamic range of the instrument. For most applications, AUTO mode should be used. For certain types of filter measurements, it may be desirable to keep the gain fixed throughout the filter response. In that case, use this command to set the Gain mode to FIXEd. The query version of this command returns the string "AUTO" if the current measurement gain range is currently set to AUTO, and returns the string "FIX" if it is currently set to fixed.

Syntax: :INPut:GAIN:MODE AUTO|FIXEd
:INPut:GAIN:MODE?

Cmd Parameter: <char> AUTO|FIXEd

Query Response: <char> AUTO|FIX

Default Value: AUTO

Front Panel

Access: **Shift-8** (System), Application Options, Meas Gain Range

Internal Bias Tee Current

:INPut<port_no>:BIAS:CURRent

Description: Sets the internal bias tee current limit for the specified port. When this limit is exceeded, the Bias Tee trips (turns OFF). <port_no> is the specified internal bias tee port number, 1 to 2. The query version of this command returns either the measured internal current or the set internal current limit (both are returned in milliampere units). To return the measured internal current for the specified port number, send the query command either with no value specified after the “?” (default condition) or with a value of 0 specified after the “?”. Note that the query result for the measured internal current is valid only if the Bias Tee state is set to internal. If a value of 1 is specified after the “?”, then the query version of this command returns the internal current limit that is set for the given port number.

Syntax: :INPut<port_no>:BIAS:CURRent <current>
:INPut<port_no>:BIAS:CURRent? [0|1]

Cmd Parameter: <NRf> <current> (milliampere)

Query Response : <NR3> <milliampere> (returns value in milliampere)

Range: 0 mA to 450 mA

Default Value: 450 mA when querying the internal current limit (:INPut<port_no>:BIAS:CURRent? 1). The default value for querying the measured current depends upon what is connected to the port.

Default Unit: milliampere (mA)

Front Panel

Access: **Shift-3** (Sweep), Configure Ports, Bias Tee Setup, Int Current Limit P1/P2

External Bias Tee Current

:INPut<port_no>:BIAS:EXTernal:CURRent?

Description: Returns the external bias tee current. <port_no> is the specified external bias tee port number, 1 to 2.

Syntax: :INPut<port_no>:BIAS:EXTernal:CURRent?

Cmd Parameter: NA (query only)

Query Response : <NR3> (milliampere)

Default Unit: mA

Front Panel

Access: NA

External Bias Tee Tripped State

:INPut:BIAS:EXTeRnal:TRIPped[:STATe]?

Description: Returns whether the external bias tee is tripped. Returns 1 for tripped, otherwise returns 0.

Syntax: :INPut:BIAS:EXTeRnal:TRIPped[:STATe]?

Cmd Parameter: NA (query only)

Query Response: <boolean> [0|1]

Front Panel

Access: NA

External Bias Tee Voltage

:INPut<port_no>:BIAS:EXTeRnal:VOLTagE?

Description: Returns the voltage of the external bias tee for the specified port number. <port_no> is the specified internal bias tee port number, 1 to 2.

Syntax: :INPut<port_no>:BIAS:EXTeRnal:VOLTagE?

Cmd Parameter: NA (query only)

Query Response: <NR3> <Volts> (returns value in Volts)

Default Unit: Volts

Front Panel

Access: NA

Internal Bias Tee Tripped State

:INPut:BIAS:INTeRnal:TRIPped[:STATe]?

Description: Returns whether the internal bias tee is tripped. Returns 1 for tripped, otherwise returns 0.

Syntax: :INPut:BIAS:INTeRnal:TRIPped[:STATe]?

Cmd Parameter: NA (query only)

Query Response: <boolean> [0|1]

Front Panel

Access: NA

Internal Bias Tee Port Selection

:INPut:BIAS:PORT:SElect

Description: Specifies the internal bias tee port.

Syntax: :INPut:BIAS:PORT:SElect 1|2
:INPut:BIAS:PORT:SElect?

Cmd Parameter: <char> 1|2

Query Response: <char> 1|2

Default Value: 2

Front Panel

Access: **Shift-3** (Sweep), Configure Ports, Bias Tee Setup, Int Port Selection

Bias Tee State

:INPut:BIAS:STATe

Description: Enables or disables the bias tee. Query returns OFF|EXT|INT. For OFF state, query returns OFF (not 0).

Syntax: :INPut:BIAS:STATe OFF|EXTernal|INTernal
:INPut:BIAS:STATe?

Parameter: OFF|EXTernal|INTernal

Cmd Parameter: <char> OFF|EXTernal|INTernal

Query Response: <char> OFF|EXT|INT

Default Value: OFF

Front Panel

Access: **Shift-3** (Sweep), Configure Ports, Bias Tee Setup, Bias Tee

Internal Bias Tee Voltage

:INPut<port_no>:BIAS:VOLTage

Description: Sets the voltage of the internal bias tee for the specified port number. <port_no> is the specified internal bias tee port number, 1 or 2. The query version of this command returns either the measured internal bias tee voltage or the set internal bias tee voltage (both are returned in Volts). Note that the measured voltage can be slightly different than the set voltage depending on the load conditions. To return the last measured internal bias tee voltage for the specified port number, send the query command either with no value specified after the “?” (default condition) or with a value of 0 specified after the “?”. Note that the query result for the measured internal bias tee voltage is valid only if the Bias Tee state is set to internal. If a value of 1 is specified after the “?”, then the query version of this command returns the internal bias tee voltage that was set for the given port number.

Syntax: :INPut<port_no>:BIAS:VOLTage <voltage>
:INPut<port_no>:BIAS:VOLTage? [0|1]

Cmd Parameter: <NRf> <12 to 32 Volts>

Query Response: <NR3> <Volts>

Range: 12 V to 32 V

Default Value: +12 V when querying the internal bias tee voltage that was set (:INPut<port_no>:BIAS:VOLTage? 1). The default value for querying the last measured bias tee voltage may be slightly different depending upon what is connected to the port.

Default Unit: Volts

Front Panel

Access: **Shift-3** (Sweep), Configure Ports, Bias Tee Setup, Int Voltage P1/P2

3-16 :MMEMory Subsystem

The Mass Memory subsystem contains functions that provide access to the instrument setup and data storage.

Table 3-4. :MMEMory Subsystem

Keyword	Parameter Form	Parameter Data or Units	Notes
:MMEMory			
:LOAD		Refer to “:MMEMory:LOAD Subsystem” on page 3-97	
:STORe		Refer to “:MMEMory:STORe Subsystem” on page 3-99	

3-17 :MMEMory:LOAD Subsystem

The Mass Memory Load subsystem contains commands to transfer from the mass memory device to the internal memory.

Note	Recall and Save for both setup and measurement, as described in this section, are specific for vector network analyzer modes, not for spectrum analyzer mode.
-------------	---------------------------------------------------------------------------------------------------------------------------------------------------------------

Recall Setup

:MMEMory:LOAD:STATe

Description: No query. Recalls a previously stored setup from the current save location. The saved setup that is to be loaded is specified by <file name>. <file name> must be enclosed in either single quotes (' ') or double quotes (" ") and must include the extension ".stp". The <integer> parameter is not currently used, but it must be sent. Send a value of 1.

Note	When recalling a setup that causes a mode switch, wait a minimum of 60 seconds before issuing the next command.
-------------	-----------------------------------------------------------------------------------------------------------------

Syntax: :MMEMory:LOAD:STATe <integer>,<file name>

Cmd Parameter: <integer>,<string> (1, file name)

Cmd Parameter: NA (no query)

Related Command: :MMEMory:STORe:STATe
:MMEMory:MSIS INTERNAL|USB

Front Panel

Access: **Shift-7** (File), Recall, Change Type (select file type from list)

Recall Measurement

:MMEMemory:LOAD:TRACe

Description: Recalls a previously stored measurement trace from the current save location. The saved measurement trace that is to be loaded is specified by <file name>. <file name> must be enclosed in either single quotes (') or double quotes ("") and must contain a file extension of ".mna". Note that the trace that is specified by <file name> must be available at the current save location. The <integer> parameter is not currently in use, but it must be sent. Send a 1. File Extensions: ".mna".

Syntax: :MMEMemory:LOAD:TRACe <integer>,<file name>

Cmd Parameter: <integer>,<string> (1, file name)

Query Response: NA (no query)

Example: To recall trace with file name "trace":

```
:MMEMemory:LOAD:TRACe 1, "trace.mna"
```

Related Command: :MMEMemory:STORe:TRACe
:MMEMemory:MSIS INTernal|USB

Front Panel

Access: **Shift-7** (File), Recall Measurement

Shift-7 (File), Recall, Change Type, (select file type from list)

3-18 :MMEMory:STORe Subsystem

The Mass Memory Store subsystem contains commands to transfer from the internal memory to the mass memory device.

Save Setup

:MMEMory:STORe:STATe

Description: Stores the current setup into the file that is specified by <file name>. <file name> must be enclosed in either single quotes (') or double quotes ("") and must not contain a file extension. The <integer> is used to distinguish whether the calibration should be saving with the setup. Send a 1 to save setup without a calibration. Send a 2 to save setup with calibration.

Syntax: :MMEMory:STORe:STATe <integer>,<file name>

Cmd Parameter: <integer>,<string> (1|2, filename)

Query Response: NA (no query)

Front Panel

Access: **Shift-7** (File), Save, Change Type (select Setup from list)

Save Measurement

:MMEemory:STORe:TRACe

Note The integer parameters that are used in this command are specific to the vector network analyzer modes, not for spectrum analyzer mode.

Description: Stores the trace into the file that is specified by <file name>. <file name> must be enclosed in either single quotes (') or double quotes ("") and must not contain a file extension. The <integer> parameter is used to distinguish which type of files to save. The following types are available:

<Integer> : File type

- 1 : Measurement file (default, if number is not 2 to 6)**
- 2 : S2P Real/Imag**
- 3 : S2P Lin Mag/Phase**
- 4 : S2P Log Mag/Phase**
- 5 : Text**
- 6 : CSV**

Syntax: :MMEemory:STORe:TRACe <integer>,<file name>

Cmd Parameter: <integer>,<string> (1|2, filename)

Query Response: NA (no query)

Example: To save the trace into the file named "trace".

```
:MMEemory:STORe:TRACe 1,"trace"
```

Related Command: :MMEemory:LOAD:TRACe

Front Panel

Access: **Shift-7** (File), Save, Change Type (select file type from list)
Shift-7 (File), Save Measurement

3-19 [:SENSe] Subsystem

The commands in this subsystem relate to device-specific parameters, not to signal-oriented parameters.

Table 3-5. [:SENSe] Subsystem

Keyword	Parameter Data or Units
[:SENSe]	
:APPLiCation	Refer to “[:SENSe]:APPLiCation Subsystem” on page 3-102
:AVERAge	Refer to “[:SENSe]:AVERAge Subsystem” on page 3-103
:CALibrAtion	Refer to “[:SENSe]:CALibrAtion Subsystem” on page 3-104
:CORRection	Refer to “[:SENSe]:CORRection Subsystem” on page 3-105
:FREQuency	Refer to “[:SENSe]:FREQuency Subsystem” on page 3-136
:RFON[:STATe]	Refer to “[:SENSe]:RFON[:STATe] Subsystem” on page 3-141
:SWEep	Refer to “[:SENSe]:SWEep Subsystem” on page 3-143
:TRACe	Refer to “[:SENSe]:TRACe Subsystem” on page 3-145

3-20 [:SENSe]:APPLication Subsystem

This subsystem contains application specific commands.

Application Self Test

[:SENSe]:APPLication:TST?

Description: Executes an application self test and reports whether any errors were detected. A return value of "0" indicates that the test was completed without detecting any error.

Two self test types can be specified. If no test type is specified, then the test defaults to NORMal. The PWRon self test is a scaled-down version of the normal self test that runs during the instrument power-on cycle.

Syntax: [:SENSe]:APPLication:TST? NORMal|PWRon

Cmd Parameter: NA (query only)

Query Parameter: <char> NORMal|PWRon

Query Response: <NR1> <integer>

Front Panel

Access: NA

Application Self Test Result

[:SENSe]:APPLication:TST:RESult?

Title: Application Self Test Result

Description: Returns the application self test result of the previous call to the application self test. The response begins with an ASCII header. The header specifies the number of following bytes. It appears in the format #AX<block data>, where A is the number of digits in X, and X is the number of bytes that follow the header. The first information of the <block data> contains the overall self test string ("PASSED" or "FAILED") followed by a comma, and each self test result separated by a comma. Each subset of the result is included in angle brackets, < >.

Note that an application self test command must be called prior to calling this command in order for the result to be valid.

Syntax: [:SENSe]:APPLication:TST:RESult?

Cmd Parameter: NA (query only)

Query Response: <block> (No units, NA)

Front Panel

Access: NA

3-21 [:SENSE]:AVERAge Subsystem

This subsystem contains commands that are related to the combination of the data from consecutive sweeps. Use commands in this subsystem to control sweep-to-sweep averaging and max hold functionality.

Restart Averaging

[:SENSE]:AVERAge:CLEAr

Description: No query. Clears and restarts averaging of the measurement data. Note that sweep averaging count must be set to greater than 1 for averaging to restart.

Syntax: [:SENSE]:AVERAge:CLEAr

Cmd Parameter: <char>

Query Response: NA (no query)

Front Panel

Access: NA

Number of Traces to Average

[:SENSE]:AVERAge:COUNT

Description: Sets the number of traces to be averaged. Note that when averaging count is set to be greater than 1, sweep averaging is turned on. To stop

Syntax

[:SENSE]:AVERAge:COUNT <integer>

[:SENSE]:AVERAge:COUNT?

Cmd Parameter: <NR1> <integer>

Query Response: <NR1> <integer>

Range: 1 to 65535

Default Value: 1

Front Panel

Access: **Shift-3** (Sweep), Sweep Averaging

3-22 [:SENSe]:CALibration Subsystem

This subsystem controls the system calibration.

Calibration State

[:SENSe]:CALibration:STATE?

Description: Reports the calibrated state. This command returns a 0 if there is no valid calibration, otherwise it returns the bit of the S parameters that has a valid calibration. The bits are as follows:

S11 bit	0x01
S12 bit	0x02
S21 bit	0x04
S22 bit	0x08

For example, if a value of 15 is returned, then all of the S parameters bit is valid (because decimal 15 is equivalent to binary 1111). For another example, if a value of 1 is returned, then S₁₁ has a valid calibration because binary of 1 is 0x01.

Syntax: [:SENSe]:CALibration:STATE?

Cmd Parameter: NA (query only)

Query Response: <NR1> <integer> (0 to 15)

Front Panel

Access: NA

3-23 [:SENSE]:CORREction Subsystem

This subsystem provides commands for losses or gains external to the instrument.

Table 3-6. [:SENSE]:CORREction Subsystem

Keyword	Parameter Data or Units
[:SENSE]	
:CORREction	
:CKIT	Refer to “[:SENSE]:CORREction:CKIT Subsystem” on page 3-108
:COLLect	Refer to “[:SENSE]:CORREction:COLLect Subsystem” on page 3-118

Error Correction Data

[:SENSE]:CORREction:DATA?

Title: Error Correction Data

Description: Transfers the system error correction data from the instrument to the controller. <error term parameter> are string parameters that describe the different error terms.

<error term parameter>	Descriptions
ERF	(Forward) Reflection tracking
EDF	(Forward) Directivity
ESF	(Forward) Source match
ETF	(Forward) Transmission tracking
ELF	(Forward) Load match
EXF	(Forward) Isolation
ETFS	(Forward Sensitivity) Transmission tracking
ELFS	(Forward Sensitivity) Load match
EXFS	(Forward Sensitivity) Isolation
ERR	(Reverse) Reflection tracking
EDR	(Reverse) Directivity
ESR	(Reverse) Source match
ETR	(Reverse) Transmission tracking
ELR	(Reverse) Load match
EXR	(Reverse) Isolation
ETRS	(Reverse Sensitivity) Transmission tracking
ELRS	(Reverse Sensitivity) Load match
EXRS	(Reverse Sensitivity) Isolation

Error Correction Data (continued)

The format of the block data that is returned can be specified by the command :FORMat:DATA. The response begins with an ASCII header that specifies the number of data bytes. It appears in the format #AX, where A is the number of digits in X, and X is the number of bytes that follow the header. Each data point is separated by a comma delimiter. Each term contains one complex value (real and imaginary) for each sweep point.

Syntax: [:SENSe]:CORRection:DATA? <error terms parameters>

Cmd Parameter: **NA** (query only)

Query Response: <char> (returns block data)

Related Command: :FORMat:DATA

Front Panel

Access: **NA**

Smith Chart Reference Impedance

[:SENSe]:CORRection:IMPedance[:INPut][:MAGNitude]:SMCHart

Description: Sets the Smith Chart reference impedance. Sets 50 for 50 ohm. Sets 75 for 75 ohm. The query form of the command returns the current Smith Chart reference impedance in ohms.

Syntax: [:SENSe]:CORRection:IMPedance[:INPut][:MAGNitude]:SMCHart 50|75
[:SENSe]:CORRection:IMPedance[:INPut][:MAGNitude]:SMCHart?

Cmd Parameter: <char> 50|75

Query Response: <char> 50|75

Range: 50 ohm, 75 ohm

Default Value: 50 ohm

Front Panel

Access: **Scale**, Reference Impedance

Note

The Reference Admittance that is used in the Inverse Smith Chart graph type and in the Admittance marker readout is the inverse of this Reference Impedance value and is derived from this variable.

Calibration Correction State

[:SENSE]:CORREction[:STATE]

Description: Turns the calibration error correction ON or OFF. Note that error correction can be turned ON only if valid calibration is available.

Syntax: [:SENSE]:CORREction[:STATE] OFF|ON
[:SENSE]:CORREction[:STATE]?

Parameter: OFF|ON

Cmd Parameter: <boolean> OFF|ON|0|1

Query Response: <bNR1> 0|1

Default Value: 0

Front Panel

Access: **Shift-2** (Calibrate), Cal Correction

3-24 [:SENSe]:CORRection:CKIT Subsystem

This subsystem provides commands that modify and configure the device under test (DUT).

Table 3-7. [:SENSe]:CORRection:CKIT Subsystem

Keyword	Parameter Data or Units
[:SENSe]	
:CORRection	
:CKIT	
:USER{1-4}	Refer to “[:SENSe]:CORRection:CKIT:USER Subsystem” on page 3-114

Calibration Connector Information

[:SENSe]:CORRection:CKIT:INformation?

Description: Returns a string of information of the given calibration connector. <connector> defines the connector family and can be given in either long or short form. [connector-name] is a string that defines the name that is associated with the given <connector> and is optional. [connector-name] must be enclosed by parentheses. Note that the connector must be valid for the current calibration line type.

Note that user 1, user 2, user 3, or user 4 is based on the current calibration method.

The query response begins with an ASCII header. The header specifies the number of following bytes. It appears in the format #AX, where A is the number of digits in X, and X is the number of bytes that follow the header. Parameters are returned in comma-delimited ASCII format. Each parameter is returned as “NAME=VALUE [UNITS]”.

The tables below list the available connectors and connector names that are associated with the calibration line types. Note that Coax User cal kit and Waveguide do not have a calibration name associated with them.

COAX <connector>	[connector-name]	Description
NMALe	OSLN50	N-Conn(M) Cal Kit: OSLN50. If no connector-name is given, information will default to this. Query Response: <block> (returns comma-delimited ASCII format)

COAX <connector>	[connector-name]	Description
NMAle	SLN50A or OSLN50A-8 or OSLN50A-18	N-Conn(M) Cal Kit: OSLN50A-8 or OSLN50A-18 Query Response: <block> (returns comma-delimited ASCII format)
NMAle	TOSLN50A or TOSLN50A-8 or TOSLN50A-18	N-Conn(M) Cal Kit: TOSLN50A-8 or TOSLN50A-18 Query Response: <block> (returns comma-delimited ASCII format)
NFEMale	OSLNF50	N-Conn(F) Cal Kit: OSLNF50. If no connector name is given, then information will default to this. Query Response: <block> (returns comma-delimited ASCII format)
NFEMale	OSLNF50A or OSLNF50A-8 or OSLNF50A-18	N-Conn(F) Cal Kit: OSLNF50A-8 or OSLNF50A-18 Query Response: <block> (returns comma-delimited ASCII format)
NFEMale	TOSLNF50A or TOSLNF50A-8 or TOSLNF50A-18	N-Conn(F) Cal Kit: TOSLNF50A-8 or TOSLNF50A-18 Query Response: <block> (returns comma-delimited ASCII format)
KMAle	OSLK50	K-Conn(M) Cal Kit: OSLK50. If no connector name is given, then information will default to this. Query Response: <block> (returns comma-delimited ASCII format)
KMAle	TOSLK50A or TOSLK50A-20	K-Conn(M) Cal Kit: TOSLK50A-20 Query Response: <block> (returns comma-delimited ASCII format)

COAX <connector>	[connector-name]	Description
KFEMale	OSLKF50	K-Conn(F) Cal Kit: OSLKF50 If no connector-name is given, then information will default to this. Query Response: <block> (returns comma-delimited ASCII format)
KFEMale	TOSLKF50A or TOSLKF50A-20	K-Conn(F) Cal Kit: TOSLKF50A-20 Query Response: <block> (returns comma-delimited ASCII format)
716Male	2000-767	7/16(M) Cal Kit: 2000-767. If no connector-name is given, then information will default to this. Query Response: <block> (returns comma-delimited ASCII format)
716Male	2000-1618 or 2000-1618-R	7/16(M) Cal Kit: 2000-1618-R Query Response: <block> (returns comma-delimited ASCII format)
716Female	2000-768	7/16(F) Cal Kit: 2000-768 If no connector name is given, then information will default to this. Query Response: <block> (returns comma-delimited ASCII format)
716Female	2000-1619 or 2000-1619-R	7/16(F) Cal Kit: 2000-1619-R Query Response: <block> (returns comma-delimited ASCII format)
TNCMale		TNC(M) Cal Kit: 1091-5x & 1015-55. If no connector-name is given, then information will default to this. Query Response: <block> (returns comma-delimited ASCII format)

COAX <connector>	[connector-name]	Description
TNCFemale		TNC(F) Cal Kit: 1091-5x & 1015-54 If no connector-name is given, then information will default to this. Query Response: <block> (returns comma-delimited ASCII format)
SMAMale	3650	SMA(M) Cal Kit: 3650
SMAFemale	3650	SMA(F) Cal Kit: 3650
USR1		User 1 cal Kit information for the current calibration method. Query Response: <block> (returns comma-delimited ASCII format)
USR2		User 1 cal Kit information for the current calibration method. Query Response: <block> (returns comma-delimited ASCII format)
USR3		User 1 cal Kit information for the current calibration method. Query Response: <block> (returns comma-delimited ASCII format)
USR4		User 1 cal Kit information for the current calibration method. Query Response: <block> (returns comma-delimited ASCII format)

WAVEGUIDE <connector>	Description
WG11	WG11A/WR229/R40 Cal Kit: xxUM40 Query Response: <block> (returns comma-delimited ASCII format)
WG12	WG12/WR187/R48 Cal Kit: xxUM48 or xxUA187 Query Response: <block> (returns comma-delimited ASCII format)
WG13	WG13/WR159/R58 Cal Kit: xxUM58 Query Response: <block> (returns comma-delimited ASCII format)
WG14	WG14/WR137/R70 Cal Kit: xxUM70 or xxUA137 Query Response: <block> (returns comma-delimited ASCII format)
WG15	WG15/WR112/R84 Cal Kit: xxUM84 or xxUA11 Query Response: <block> (returns comma-delimited ASCII format)
WG16	WG16/WR90/R100 Cal Kit: xxUM100 or xxUA90 Query Response: <block> (returns comma-delimited ASCII format)
WG17	WG17/WR75/R120 Cal Kit: xxUM120 Query Response: <block> (returns comma-delimited ASCII format)
WG18	WG18/WR62/R140 Cal Kit: xxUM140 or xxUA62 Query Response: <block> (returns comma-delimited ASCII format)
WG20	WG20/WR42/R22 Cal Kit: xxUM220 or xxUA42 Query Response: <block> (returns comma-delimited ASCII format)
USR1	User 1 Cal Kit information for the current calibration method. Query Response: <block> (returns comma-delimited ASCII format)

WAVEGUIDE <connector>	Description
USR2	User 1 Cal Kit information for the current calibration method. Query Response: <block> (returns comma-delimited ASCII format)
USR3	User 1 Cal Kit information for the current calibration method. Query Response: <block> (returns comma-delimited ASCII format)
USR4	User 1 Cal Kit information for the current calibration method. Query Response: <block> (returns comma-delimited ASCII format)

Syntax: [:SENSe]:CORRection:CKIT:INFormation? <connector>, [connector-name string]

Cmd Parameter: NA (query only)

Query Parameter: <char> <connector>, [connector-name string]

Query Response: <block> (returns comma-delimited ASCII format)

Example: To get information for K-Conn(M) with cal Kit TOSLK50A-20:

```
:SENS:CORR:CKIT:INF? KMAL, "TOSLK50A"
```

or

```
:SENS:CORR:CKIT:INF? KMAL, "TOSLK50A-20"
```

The response for this query when using SOLT COAX:

```
#60001640OPEN=5.010 mm,SHORT=5.010 mm,  
THRU=16.070 mm,C0=4.500 e-15,C1=395.000 e-27,  
C2=-20.000 e-36,C3=0.400 e-45,L0=4.000 e-12,  
L1=-650.000 e-24,L3=39.000 e-33,L3=-0.640 e-42
```

Front Panel

Access: **Shift-2** (Calibrate), DUT Port Setup, DUT Port 1/2

3-25 [[:SENSe]:CORRection:CKIT:USER Subsystem

This subsystem contains commands to configure the user device under test (DUT).

DUT User Inductance Coefficient value

[[:SENSe]:CORRection:CKIT:USER [1] | 2 | 3 | 4:COAX:SOLT:L0 | 1 | 2 | 3

Description: Sets the DUT inductance value for the specified Short component of the user-defined SOLT Cal Kit.

Syntax: [[:SENSe]:CORRection:CKIT:USER [1] | 2 | 3 | 4:COAX:SOLT:
L0 | 1 | 2 | 3 <inductance>

[[:SENSe]:CORRection:CKIT:USER [1] | 2 | 3 | 4:COAX:SOLT:
L0 | 1 | 2 | 3?

Cmd Parameter: <NRf> <inductance> (e-12, e-24, e-34, e-42)

Query Response: <NR3> <inductance> (e-12, e-24, e-34, e-42)

Example: To set the DUT inductance L1 for User 1 with line type coax to 5:

```
:SENS:CORR:CKIT:USER:COAX:SOLT:L1 5
```

To query the DUT inductance L1 for User 1:

```
:SENS:CORR:CKIT:USER:COAX:SOLT:L1?
```

The query response would be: 5.000

Front Panel

Access: **Shift-2** (Calibrate), DUT Port Setup, Setup User-Defined, Short

DUT User Capacitance Coefficient value

**[[:SENSe]:CORRection:CKIT:USER [1] | 2 | 3 | 4:COAX|WGUIDe
:SOLT:C0 | 1 | 2 | 3**

Description: Sets the DUT capacitance value for the specified user.

Syntax: [[:SENSe]:CORRection:CKIT:USER [1] | 2 | 3 | 4:COAX|WGUIDe
:SOLT:C0 | 1 | 2 | 3 <capacitance>

[[:SENSe]:CORRection:CKIT:USER [1] | 2 | 3 | 4:COAX|WGUIDe
:SOLT:C0 | 1 | 2 | 3?

Cmd Parameter: <NRf> <capacitance> (e-15, e-27, e-36, e-45)

Query Response: <NR3> <capacitance> (e-15, e-27, e-36, e-45)

Example: To set the DUT capacitance #1 for User 1 with line type coax to 5:

```
:SENS:CORR:CKIT:USER:COAX:SOLT:C1 5
```

Front Panel

Access: **Shift-2** (Calibrate), DUT Port Setup, Setup User-Defined, Open

DUT User Cutoff Frequency

**[:SENSe]:CORRection:CKIT:USER [1] | 2 | 3 | 4:WGUiDe:SSLT | SSST
:FCUToff**

Description: Sets the DUT cutoff frequency for the specified user.

Syntax: [:SENSe]:CORRection:CKIT:USER [1] | 2 | 3 | 4:WGUiDe:SSLT | SSST
:FCUToff <freq>
[:SENSe]:CORRection:CKIT:USER [1] | 2 | 3 | 4:WGUiDe:SSLT | SSST
:FCUToff?

Cmd Parameter: <NRF> <freq> (hertz)

Query Response: <NR3> <freq> (hertz)

Default Unit: Hz

Range: 5 kHz to 20 GHz for MS2028C, MS2038C
5 kHz to 15 GHz for MS2027C, MS2037C
5 kHz to 6 GHz for MS2026C, MS2036C

Example: To set the DUT cutoff frequency for User 1 with calibration method
SSLT to 1 GHz:

```
:SENS:CORR:CKIT:USER:WGU:SSLT:FCUT 1GHz
```

Front Panel

Access: **NA**

DUT User Name

**[:SENSe]:CORRection:CKIT:USER [1] | 2 | 3 | 4:COAX | WGUiDe
:SOLT | SSLT | SSST:NAME**

Description: Sets the DUT name for the specified user.

Syntax: [:SENSe]:CORRection:CKIT:USER [1] | 2 | 3 | 4:COAX | WGUiDe
:SOLT | SSLT | SSST:NAME <string>
[:SENSe]:CORRection:CKIT:USER [1] | 2 | 3 | 4:COAX | WGUiDe
:SOLT | SSLT | SSST:NAME?

Cmd Parameter: <string> (no parameter data or units)

Query Response: <string> (no parameter data or units)

Example: To set the DUT name for User 1 with line type coax and calibration
method SOLT:

```
:SENS:CORR:CKIT:USER:COAX:SOLT:NAME "SOLT1"
```

Front Panel

Access: **NA**

DUT User Open Offset

[:SENSe]:CORRection:CKIT:USER [1] | 2 | 3 | 4:COAX | WGUide:SOLT:OPEN

Description: Sets the DUT capacitance value for the specified user.

Syntax: [:SENSe]:CORRection:CKIT:USER [1] | 2 | 3 | 4:COAX | WGUide:SOLT:OPEN <length>
[:SENSe]:CORRection:CKIT:USER [1] | 2 | 3 | 4:COAX | WGUide:SOLT:OPEN?

Cmd Parameter: <NRf> <length> (millimeters)

Query Response: <NR3> <length> (millimeters)

Example: To set the DUT open offset for User 1 with line type coax to 3 mm:
:SENS:CORR:CKIT:USER:COAX:SOLT:OPEN 3

Front Panel

Access: **NA**

DUT User Short Offset (SSLT)

[:SENSe]:CORRection:CKIT:USER [1] | 2 | 3 | 4:COAX | WGUide:SSLT:SHORT [1] | 2

Description: Sets the DUT Short offset for the specified user.

Syntax: [:SENSe]:CORRection:CKIT:USER [1] | 2 | 3 | 4:COAX | WGUide:SSLT:SHORT [1] | 2 <length>
[:SENSe]:CORRection:CKIT:USER [1] | 2 | 3 | 4:COAX | WGUide:SSLT:SHORT [1] | 2?

Cmd Parameter: <NRf> <length> (millimeters)

Query Response: <NR3> <length> (millimeters)

Example: To set the DUT short offset 2 for User 1 with line type coax and calibration method SSLT to 3 mm:

:SENSe:CORRection:CKIT:USER:COAX:SSLT:SHORT2 3

Front Panel

Access: **NA**

DUT User Short Offset (SSST)

**[:SENSE]:CORRection:CKIT:USER [1] | 2 | 3 | 4:COAX|WGUiDe
:SSST:SHORt [1] | 2 | 3**

Description:

Syntax: [:SENSE]:CORRection:CKIT:USER [1] | 2 | 3 | 4:COAX|WGUiDe
:SSST:SHORt [1] | 2 | 3 <length>
[:SENSE]:CORRection:CKIT:USER [1] | 2 | 3 | 4:COAX|WGUiDe
:SSST:SHORt [1] | 2 | 3?

Cmd Parameter: <NRf> <length> (millimeters)

Query Response: <NR3> <length> (millimeters)

Example: To set the DUT short offset 2 for User 1 with line type coax and calibration method SSST to 3 mm:

```
:SENSe:CORRection:CKIT:USER:COAX:SSST:SHORt2 3
```

Front Panel

Access: **NA**

DUT User Short Offset for calibration method SOLT

**[:SENSE]:CORRection:CKIT:USER [1] | 2 | 3 | 4:COAX|WGUiDe:SOLT
:SHORt**

Description: Sets the DUT capacitance value for the specified user.

Syntax: [:SENSE]:CORRection:CKIT:USER [1] | 2 | 3 | 4:COAX|WGUiDe
:SOLT:SHORt <length>
[:SENSE]:CORRection:CKIT:USER [1] | 2 | 3 | 4:COAX|WGUiDe
:SOLT:SHORt?

Cmd Parameter: <NRf> <length> (millimeters)

Query Response: <NR3> <length> (millimeters)

Example: To set the DUT short offset for User 1 with line type coax to 3 mm:

```
:SENSe:CORRection:CKIT:USER:COAX:SOLT:SHORt 3
```

Front Panel

Access: **NA**

3-26 [:SENSe]:CORRection:COLLect Subsystem

This subsystem controls the system calibration. To properly perform a calibration, several parameters must be set. The table below lists all of the required commands. First, use the :MEDium and :CONNector subcommands to specify the calibration line type and the DUT port setup. Then use the :METHod and :TYPE subcommands to specify the calibration method and the calibration type. Then use the :ACQUire subcommand to specify the calibration components to be measured. Finally, use the :SAVe subcommand to calculate, save, and finish the calibration. Note that the calibration components do not need to be measured in any specific order.

Calibration Abort

[:SENSe]:CORRection:COLLect:ABORT:ALL

Description: Aborts the calibration measurement and restarts the current sweep or measurement, or both.

Syntax: [:SENSe]:CORRection:COLLect:ABORT:ALL

Cmd Parameter: NA

Query Response: NA (no query)

Front Panel

Access: NA

Calibration Steps

[:SENSe]:CORRection:COLLect[:ACQUire]

Description: Performs a measurement of the given steps. <cal steps> is the calibration step to be performed and must be one of the following values:

```
OPEN | SHORT | SHORT1 | SHORT2 | SHORT3 | LOAD |
THRU | ISOLation
```

<port_no> is the port number, 1, 2, or 3. For calibration step OPEN, SHORT, SHORT1, SHORT2, SHORT3, and LOAD, valid port number is 1 or 2. For calibration step THRU and ISOLation, valid port number is 1 for Fwd, 2 for Rev, and 3 for Fwd and Rev.

Note that the calibration step must be valid for the given calibration type and calibration method. Refer to [Table 3-8](#), [Table 3-9](#), and [Table 3-10](#) for a list of valid calibration steps for each type and method.

The query version of this command returns a string that consists of the last calibration step measurement that was performed followed by the port number. The calibration step and port number are delimited by a comma. Note that if no calibration step has been processed, then this command returns the string "NONE, 0".

Syntax: [:SENSe]:CORRection:COLLect[:ACQUire]
 <cal steps>,<port_no>
 [:SENSe]:CORRection:COLLect[:ACQUire]?

Cmd Parameter: <char> <cal steps>,<port_no>

Query Parameter: <char> <cal steps>,<port_no>

Query Response: <string>

Front Panel

Access: **Shift-2** (Calibrate), Start Cal

Calibration Steps and Calibration Types:

For each calibration Type, the following tables (Table 3-8, Table 3-9, and Table 3-10) list the allowable calibration steps and port_no to be used in command [:SENSe]:CORREction:COLLect[:ACQUire] <cal steps>,<port_no>. The calibration steps are different for each calibration Method, and the port_no is different for each calibration Type. For example, for calibration Type RFP1 and calibration Method SOLT, the allowable <cal steps>,<port_no> settings are “OPEN,1”, “SHORT,1”, and “LOAD,1”. The steps that are not allowed are indicated by “—”.

Table 3-8. SOLT Calibration Method

Calibration Type	OPEN	SHORT	LOAD	THRU	ISOL
RF2P (Full 2 Port – S_{11} , S_{21} , S_{12} , S_{22})	1,2	1,2	1,2	3	3
RFP1 (Full S_{11} - Port 1)	1	1	1	—	—
RFP2 (Full S_{22} - Port 2)	2	2	2	—	—
RFBP (Full S_{11} & S_{22} - Both Ports)	1,2	1,2	1,2	—	—
TRFP (Response S_{21} - Trans Response Fwd Path)	—	—	—	1	1
TRRP (Response S_{12} - Trans Response Rev Path)	—	—	—	2	2
TRBP (Response S_{21} & S_{12} - Trans Resp Both Paths)	—	—	—	3	3
RRP1 (Response S_{11} - Reflection Response Port 1)	1	1	1	—	—
RRP2 (Response S_{22} - Reflection Response Port 2)	2	2	2	—	—
RRBP (Response S_{11} & S_{22} - Reflection Response Both Ports)	1,2	1,2	1,2	—	—
2PFP (1P2P S_{11} , S_{21} - 1 Path 2 Port Fwd Path)	1	1	1	1	1
2PRP (1P2P S_{22} , S_{12} - 1 Path 2 Port Rev Path)	2	2	2	2	2

Calibration Steps and Calibration Types (continued):**Table 3-9.** SSLT Calibration Method

Calibration Type	SHORT1	SHORT2	LOAD	THRU	ISOL
RF2P (Full 2 Port – S_{11} , S_{21} , S_{12} , S_{22})	1,2	1,2	1,2	3	3
RFP1 (Full S_{11} - Port 1)	1	1	1	—	—
RFP2 (Full S_{22} - Port 2)	2	2	2	—	—
RFBP (Full S_{11} & S_{22} - Both Ports)	1,2	1,2	1,2	—	—
TRFP (Response S_{21} - Trans Response Fwd Path)	—	—	—	1	1
TRRP (Response S_{12} - Trans Response Rev Path)	—	—	—	2	2
TRBP (Response S_{21} & S_{12} - Trans Resp Both Paths)	—	—	—	3	3
RRP1 (Response S_{11} - Reflection Response Port 1)	1	—	1	—	—
RRP2 (Response S_{22} - Reflection Response Port 2)	2	—	2	—	—
RRBP (Response S_{11} & S_{22} - Reflection Response Both Ports)	1,2	—	1,2	—	—
2PFP (1P2P S_{11} , S_{21} - 1 Path 2 Port Fwd Path)	1	1	1	1	1
2PRP (1P2P S_{22} , S_{12} - 1 Path 2 Port Rev Path)	2	2	2	2	2

Calibration Steps and Calibration Types (continued):**Table 3-10.** SSST Calibration Method

Calibration Type	SHORT1	SHORT2	SHORT3	THRU	ISOL
RF2P (Full 2 Port – S_{11} , S_{21} , S_{12} , S_{22})	1,2	1,2	1,2	3	3
RFP1 (Full S_{11} - Port 1)	1	1	1	—	—
RFP2 (Full S_{22} - Port 2)	2	2	2	—	—
RFBP (Full S_{11} & S_{22} - Both Ports)	1,2	1,2	1,2	—	—
TRFP (Response S_{21} - Trans Response Fwd Path)	—	—	—	1	1
TRRP (Response S_{12} - Trans Response Rev Path)	—	—	—	2	2
TRBP (Response S_{21} & S_{12} - Trans Resp Both Paths)	—	—	—	3	3
RRP1 (Response S_{11} - Reflection Response Port 1)	1	—	—	—	—
RRP2 (Response S_{22} - Reflection Response Port 2)	2	—	—	—	—
RRBP (Response S_{11} & S_{22} - Reflection Response Both Ports)	1,2	—	—	—	—
2PFP (1P2P S_{11} , S_{21} - 1 Path 2 Port Fwd Path)	1	1	1	1	1
2PRP (1P2P S_{22} , S_{12} - 1 Path 2 Port Rev Path)	2	2	2	2	2

Calibration Step Status

[:SENSe]:CORRection:COLLect:ACQUire:STATus?

Description: This command requests information about the current calibration step or the specified calibration step. If no calibration step is specified, then it returns a 1 if the current calibration step has completed, otherwise it returns a 0. <cal_steps> is the calibration step to be performed and must be one of the following values:

OPEN | SHORT | SHORT1 | SHORT2 | SHORT3 | LOAD | THRU | ISOLation

<port_no> is the port number, 1, 2, or 3. For step OPEN, SHORT, SHORT1, SHORT2, SHORT3, and LOAD, valid port number is 1 or 2. For calibration step THRU and ISOLation, valid port number is 1 for Fwd, 2 for Rev, and 3 for Fwd and Rev.

Syntax: [:SENSe]:CORRection:COLLect:ACQUire:STATus?
[<cal_steps>,<port_no>]

Cmd Parameter: NA (query only)

Query Parameter: <char> [<cal_steps>,<port_no>]

Query Response: <NR1> <integer>

Front Panel

Access: NA

DUT Port Setup

[:SENSe]:CORRection:COLLect:CONNector<port_no>

Description: Sets the connector family for the given port number. <port_no> is the port number, 1 or 2. <connector> defines the connector family and can be given in either long or short form. [connector-name] is a string that defines the name that is associated with the given <connector> and is optional. [connector-name] must be enclosed by parentheses.

Note that the connector must be valid for the current calibration line type.

The tables below list the connector and valid connector name that are associated with the calibration line type COAX. Note that User cal kit and Waveguide do not have a calibration name associated with them.

COAX <connector>	[connector-name]	Description
NMAle	OSLN50	N-Conn(M) Cal Kit: OSLN50. If no connector-name is given, then connector will be set to this. Query Response string: "NMAL"
NMAle	SLN50A or OSLN50A-8 or OSLN50A-18	N-Conn(M) Cal Kit: OSLN50A-8 or OSLN50A-18 Query Response string: "NMAL(OSLN50A-8 or OSLN50A-18)"
NMAle	TOSLN50A or TOSLN50A-8 or TOSLN50A-18	N-Conn(M) Cal Kit: TOSLN50A-8 or TOSLN50A-18 Query Response string: "NMAL(TOSLN50A-8 or TOSLN50A-18)"
NFEMale	OSLNF50	N-Conn(F) Cal Kit: OSLNF50. If no connector name is given, then connector will be set to this. Query Response string: "NFEM"
NFEMale	OSLNF50A or OSLNF50A-8 or OSLNF50A-18	N-Conn(F) Cal Kit: OSLNF50A-8 or OSLNF50A-18 Query Response string: "NFEM(OSLNF50A-8 or OSLNF50A-18)"
NFEMale	TOSLNF50A or TOSLNF50A-8 or TOSLNF50A-18	N-Conn(F) Cal Kit: TOSLNF50A-8 or TOSLNF50A-18 Query Response string: "NFEM(TOSLNF50A-8 or TOSLNF50A-18)"
KMAle	OSLK50	K-Conn(M) Cal Kit: OSLK50. If no connector name is given, then connector will be set to this. Query response string: "KMAL"

COAX <connector>	[connector-name]	Description
KMAle	TOSLK50A or TOSLK50A-20	K-Conn(M) Cal Kit: TOSLK50A-20 Query Response string: "KMAL(TOSLK50A-20)"
KFEMale	OSLKF50	K-Conn(F) Cal Kit: OSLKF50 If no connector-name is given, then connector will be set to this. Query response string: "KFEM"
KFEMale	TOSLKF50A or TOSLKF50A-20	K-Conn(F) Cal Kit: TOSLKF50A-20 Query Response string: "KFEM(TOSLKF50A-20)"
716Male	2000-767	7/16(M) Cal Kit: 2000-767. If no connector-name is given, then connector will be set to this. Query response string: "716M"
716Male	2000-1618 or 2000-1618-R	7/16(M) Cal Kit: 2000-1618-R Query Response string: "716M(2000-1618-R)"
716Female	2000-768	7/16(F) Cal Kit: 2000-768 If no connector name is given, then connector will be set to this. Query response string: "716F"
716Female	2000-1619 or 2000-1619-R	7/16(F) Cal Kit: 2000-1619-R Query Response string: "716F(2000-1619-R)"
TNCMale		TNC(M) Cal Kit: 1091-5x & 1015-55. If no connector-name is given, then connector will be set to this. Query response string: "TNCM".
TNCFemale		TNC(F) Cal Kit: 1091-5x & 1015-54 If no connector-name is given, then connector will be set to this. Query response string: "TNCF"

COAX <connector>	[connector-name]	Description
SMAMale	3650	SMA(M) Cal Kit: 3650 If no connector-name is given, then connector will be set to this. Query response string: "SMAM"
SMAFemale	3650	SMA(F) Cal Kit: 3650 If no connector-name is given, then connector will be set to this. Query response string: "SMAF"
USR1		Query response string: "USR1"
USR2		Query response string: "USR2"
USR3		Query response string: "USR3"
USR4		Query response string: "USR4"

WAVEGUIDE <connector>	Description
WG11	WG11A/WR229/R40 Cal Kit: xxUM40 Query Response string: "WG11"
WG12	WG12/WR187/R48 Cal Kit: xxUM48 or xxUA187 Query Response string: "WG12"
WG13	WG13/WR159/R58 Cal Kit: xxUM58 Query Response string: "WG13"
WG14	WG14/WR137/R70 Cal Kit: xxUM70 or xxUA137 Query Response string: "WG14"
WG15	WG15/WR112/R84 Cal Kit: xxUM84 or xxUA11 Query Response string: "WG15"
WG16	WG16/WR90/R100 Cal Kit: xxUM100 or xxUA90 Query Response string: "WG16"
WG17	WG17/WR75/R120 Cal Kit: xxUM120 Query Response string: "WG17"
WG18	WG18/WR62/R140 Cal Kit: xxUM140 or xxUA62 Query Response string: "WG18"

WAVEGUIDE <connector>	Description
WG20	WG20/WR42/R22 Cal Kit: xxUM220 or xxUA42 Query Response string: "WG20"
USR1	Query response string: "USR1"
USR2	Query response string: "USR2"
USR3	Query response string: "USR3"
USR4	Query response string: "USR4"

Syntax: [:SENSe]:CORRection:COLLect:CONNector<port_no>
<connector>, [connector-name string]
[:SENSe]:CORRection:COLLect:CONNector<port_no>?

Cmd Parameter: <char> <connector>, [connector-name string]

Query Response: <char> <connector><(connector-name string)>
(connector is returned in short form only)

Default Value: NMAL (KMAL, if Option 11 is installed)

Example: To set the DUT connector for port 1 to K-Conn(M) Cal Kit: OSLK50.

```
:SENS:CORR:COLL:CONN1 KMAL, "OSLK50"
```

or

```
:SENS:CORR:COLL:CONN1 KMAL
```

To query for the DUT connector for port 1:

```
:SENS:CORR:COLL:CONN1?
```

For the example above the query response is: KMAL

To set the DUT connector for port 1 to K-Conn(M)
Cal Kit: TOSLK50A-20

```
:SENS:CORR:COLL:CONN1 KMAL, "TOSLK50A"
```

or

```
:SENS:CORR:COLL:CONN1 KMAL, "TOSLK50A-20"
```

The query response would return the following:

```
KMAL (TOSLK50A-20)
```

Front Panel

Access: **Shift-2** (Calibrate), DUT Port Setup, DUT Port 1/2

Configure Calibration Type

[:SENSE]:CORREction:COLLect:CTYPe

Description: Configures the calibration types. <cal type1> specifies the type of calibration (1-port, 2-port, response, etc) and must be one of the following values:

RF2P | RFP1 | RFP2 | RFBP | TRFP | TRRP | TRBP | RRP1 | RRP2 | RRBP |
| 2PFP | 2PRP

Refer to the table of calibration types at “[:SENSE]:CORREction:COLLect:TYPE” on page 3-130. Command [:SENSE]:CORREction:COLLect:CTYPe has been kept for backward compatibility.

This command, [:SENSE]:CORREction:COLLect:CTYPe, allows you to specify whether the cal is Standard or Flex in addition to the Cal type.

<cal type2> specifies if the instrument performs a standard or flex type calibration, and must use one of the following values:

FLEX | STANdard

Syntax: [:SENSE]:CORREction:COLLect:CTYPe <cal type>
FLEX | STANdard
[:SENSE]:CORREction:COLLect:CTYPe?

Cmd Parameter: <char>
RF2P | RFP1 | RFP2 | RFBP | TRFP | TRRP | TRBP | RRP1 | RRP2 | RRBP | 2PFP |
2PRP, FLEX | STANdard

Query Response: <char>
RF2P | RFP1 | RFP2 | RFBP | TRFP | TRRP | TRBP | RRP1 | RRP2 | RRBP | 2PFP |
2PRP, FLEX | STAN

Default Value: RF2P, STAN

Example: To set the cal type to Full S₁₁, Flex:
:SENS:CORR:COLL:CTYP RFP1, FLEX

To query for the current cal type:

:SENS:CORR:COLL:CTYP?

The response would be: RFP1, FLEX

Front Panel

Access: **Shift-2** (Calibrate), Cal Type

Calibration Type

[:SENSe]:CORRection:COLLect:TYPE

Description: Compare with “[:SENSe]:CORRection:COLLect:CTYPE” on page 3-129, which has more functions than this command. This command is being kept for backwards compatibility. It configures the calibrate type. <cal type> is the calibration type and must be one of the following values:

RF2P | RFP1 | RFP2 | RFBP | TRFP | TRRP | TRBP | RRP1 | RRP2 | RRBP | 2PFP | 2PRP

CAL TYPE	DESCRIPTION
RF2P	Full 2 Port
RFP1	Full Port 1
RFP2	Full Port 2
RFBP	Full Both Ports
TRFP	Trans Response Fwd Path
TRRP	Trans Response Rev Path
TRBP	Trans Response Both Paths
RRP1	Reflection Response Port 1
RRP2	Reflection Response Port 2
RRBP	Reflection Response Both Ports
2PFP	1 Path 2 Port Fwd Path
2PRP	1 Path 2 Port Rev Path

Syntax: [:SENSe]:CORRection:COLLect:TYPE <cal type>
[:SENSe]:CORRection:COLLect:TYPE?

Cmd Parameter: <char> <cal type>

Query Response: <char> <cal type>

Default Value: RF2P

Front Panel

Access: **Shift-2** (Calibrate), Cal Type

Calibration Thru Line Length

[SENSe:]CORRection:COLLect:EDELay:DIStance

Description: Set the Calibration Thru Line Length. <line length> is in distance.

Syntax: [SENSe:]CORRection:COLLect:EDELay:DIStance
<line length>
[:SENSe]:CORRection:COLLect:EDELay:DIStance?

Cmd Parameter: <NRf> <line length>

Query Response: <NR3> <line length> (returned in millimeters)

Default Value: 0

Default Unit: Meter (m) when setting, millimeters (mm) for query.

Example: To set to 10 meter:

```
SENS:CORR:COLL:EDEL:DISt 10m  
or  
SENS:CORR:COLL:EDEL:DISt 10
```

To query for line length:

```
:SENS:CORR:COLL:EDEL:DISt?
```

The response would be: 10000.00

Front Panel

Access: **Shift-2** (Calibrate), Cal Line Setup, Line Length (Air)

Calibration Thru Line Length

[SENSe:]CORRection:COLLect:EDELay:TIME

Description: Sets the Calibration Thru Line Delay in units of time.

Syntax: [SENSe:]CORRection:COLLect:EDELay:TIME <line delay>
[:SENSe]:CORRection:COLLect:EDELay:TIME?

Cmd Parameter: <NRf> <line delay>

Query Response: <NR3> <line delay> (time returned in nanoseconds)

Range: -100 ms to +100 ms

Default Value: 0

Default Unit: Seconds (s) when setting, nanoseconds (ns) for query.

Example: To set the line delay to 12 millisecond:

```
SENS:CORR:COLL:EDEL:TIME 12ms
```

To query for line delay:

```
:SENS:CORR:COLL:EDEL:TIME?
```

The response would be: 12000000.000

Front Panel

Access: **Shift-2** (Calibrate), Cal Line Setup, Line Delay

Calibration Interpolation

[:SENSe]:CORRection:COLLect:INTerpolation[:STATe]

Description: Turns the calibration interpolation ON or OFF. Note that interpolation automatically turns On after a flex cal.

Syntax: [:SENSe]:CORRection:COLLect:INTerpolation[:STATe]
OFF|ON
[:SENSe]:CORRection:COLLect:INTerpolation[:STATe]?

Cmd Parameter: <boolean> OFF|ON|0|1

Query Response: <bNR1> 0|1

Default Value: 0

Example: To set interpolation to ON:

```
:SENS:CORR:COLLect:INT:STAT ON
```

or

```
:CORR:COLLect:INT 1
```

Front Panel

Access: **Shift-2** (Calibrate), Interpolation

Calibration Line Type

[:SENSE]:CORREction:COLLect:MEDIum

Description: Sets the calibration line type.

Syntax: [:SENSE]:CORREction:COLLect:MEDIum COAX|WGUIDe
[:SENSE]:CORREction:COLLect:MEDIum?

Cmd Parameter: <char> COAX|WGUIDe

Query Response: <char> COAX|WGU

Default Value: COAX

Front Panel

Access: **Shift-2** (Calibrate), Line Type

Calibration Method

[:SENSE]:CORREction:COLLect:METHod

Description: Sets the calibration method.

Syntax: [:SENSE]:CORREction:COLLect:METHod SOLT|SSLT|SSST
[:SENSE]:CORREction:COLLect:METHod?

Parameter: SOLT|SSLT|SSST

Cmd Parameter: <char> SOLT|SSLT|SSST

Query Response: <char> SOLT|SSLT|SSST

Default Value: SOLT

Front Panel

Access: **Shift-2** (Calibrate), Cal Method

Calculate Calibration Data

[:SENSE]:CORREction:COLLect:SAVe

Description: Calculates the calibration data according to the calibration method that is selected and the steps that are performed and then stores the result. This command is similar to the “calculate and finish” on the front panel of the list of calibration steps.

Syntax: [:SENSE]:CORREction:COLLect:SAVe

Cmd Parameter: NA

Query Response: NA (no query)

Front Panel

Access: NA

Calibration Status

[:SENSe]:CORRection:COLLect:STATus?

Description: This command requests information about the calibration status. The command returns 0 if none, 1 if calibration has already started, 2 if calibration has been aborted, 3 if a calibration is currently calculating, and 4 if a calibration has been completed.

Syntax: [:SENSe]:CORRection:COLLect:STATus?

Cmd Parameter: NA (query only)

Query Response: <NR1> (integer)
 0 = none
 1 = started
 2 = aborted
 3 = calculating
 4 = completed

Front Panel

Access: NA

Calibration Accuracy Status

[:SENSe]:CORRection:COLLect:STATus:ACCuracy?

Description: This command requests information about the calibration accuracy status. The command returns 0 when no calibration is available (CAL off), 1 when the calibration accuracy is high (OK: Accuracy High), 2 when the accuracy is moderate due to a change in power level (?P: Accuracy Moderate), 3 when the accuracy is moderate due to a change in temperature level by more than 5 deg C (?T: Accuracy Moderate), and 4 when the accuracy is low due to a change in temperature level by more than 10 deg C (X: Accuracy Low).

Syntax: [:SENSe]:CORRection:COLLect:STATus:ACCuracy?

Cmd Parameter: NA (query only)

Query Response: <NR1> (integer)
 0 = CAL off
 1 = OK: Accuracy High
 2 = ?P: Accuracy Moderate
 3 = ?T: Accuracy Moderate
 4 = X: Accuracy Low

Front Panel

Access: **Shift2** (Calibrate), Existing Cal Info

Calibration Type

[:SENSe]:CORRection:COLLect:TYPE

Refer to “[:SENSe]:CORRection:COLLect:TYPE” on page 3-130. The command was moved to enable easier comparison with “[:SENSe]:CORRection:COLLect:CTYPe” on page 3-129.

3-27 [:SENSe]:FREQUENCY Subsystem

Commands in this subsystem pertain to the frequency settings of the instrument.

Center Frequency

[:SENSe]:FREQUENCY:CENTer

Description: Sets the center frequency. Note that changing the value of the center frequency changes the value of the coupled parameters: **Start Frequency** and **Stop Frequency**. It may also change the value of the span.

Syntax: [:SENSe]:FREQUENCY:CENTer <freq>
[:SENSe]:FREQUENCY:CENTer?

Cmd Parameter: <NRf> <freq> (hertz)

Query Response: <NR3> <freq> (hertz)

Range: 5 kHz to 20 GHz for MS2028C, MS2038C
5 kHz to 15 GHz for MS2027C, MS2037C
5 kHz to 6 GHz for MS2026C, MS2036C

Default Value: 10000002500 Hz for MS2028C, MS2038C
7500002500 Hz for MS2027C, MS2037C
3000002500 Hz for MS2026C, MS2036C

Default Unit: Hz

Front Panel

Access: **Freq/Time/Dist** (or **Freq**), Center Freq

Frequency Span

[:SENSE]:FREQUENCY:SPAN

Description: Sets the frequency span. Setting the value of <freq> to 0 Hz is the equivalent of setting the span mode to zero span. Note that changing the value of the frequency span changes the value of coupled parameters: Start Frequency and Stop Frequency, and may change the Center Frequency.

Syntax: [:SENSE]:FREQUENCY:SPAN <freq>
[:SENSE]:FREQUENCY:SPAN?

Cmd Parameter: <Nrf> <freq> (hertz)

Query Response: <NR3> <freq> (hertz)

Range: 0 Hz to 19999995000 Hz for MS2028C, MS2038C
0 Hz to 14999995000 Hz for MS2027C, MS2037C
0 Hz to 5999995000 GHz for MS2026C, MS2036C

Default Value: 19999995000 Hz for MS2028C, MS2038C
14999995000 Hz for MS2027C, MS2037C
5999995000 Hz for MS2026C, MS2036C

Default Unit: Hz

Front Panel

Access: **Freq/Time/Dist** (or **Freq**), Span

Distance Suggested Frequency Span

[:SENSE]:FREQUENCY:DSPAN?

Description: This command returns the suggested frequency span based on the start and stop distance.

Note

The span returned by this command is for the Transmission response. The span for Reflection response is half of this value.

Syntax: [:SENSE]:FREQUENCY:DSPAN?

Cmd Parameter: NA (query only)

Query Response: <NR3> <freq> (hertz)

Default Unit: Hz

Front Panel

Access: **Freq/Time/Dist**, Additional Dist Setup, Distance Info

Time Suggested Frequency Span

[:SENSe]:FREQuency:TSPAN?

Description: This command returns the suggested frequency span based on the start and stop time.

Note	The span returned by this command is for the Transmission or the Reflection (Round-Trip) response. The span for Reflection (One-Way) response is half of this value.
-------------	----------------------------------------------------------------------------------------------------------------------------------------------------------------------

Syntax: [:SENSe]:FREQuency:TSPAN?

Cmd Parameter: **NA** (query only)

Query Response: <NR3> <freq> (hertz)

Default Unit: Hz

Front Panel

Access: **Freq/Time/Dist**, Time Info

Start Frequency

[:SENSE]:FREQUENCY:START

Description: Sets the start frequency. Note that changing the value of the start frequency also changes the value of coupled parameters: Center Frequency and Span.

Syntax: [:SENSE]:FREQUENCY:START <freq>
[:SENSE]:FREQUENCY:START?

Cmd Parameter: <Nrf> <freq> (hertz)

Query Response: <NR3> <freq> (hertz)

Range: 5 kHz to 20 GHz for MS2028C, MS2038C
5 kHz to 15 GHz for MS2027C, MS2037C
5 kHz to 6 GHz for MS2026C, MS2036C

Default Value: 5000 Hz

Default Unit: Hz

Example: Sets the start frequency to 10000 HZ:

```
:SENSE:FREQUENCY:START 10000
```

Sets the start frequency to 5 MHz:

```
:SENSE:FREQUENCY:START 5MHZ
```

Sets the start frequency to 1 GHz:

```
:SENS:FREQ:STAR 1GHZ
```

Front Panel

Access: **Freq/Time/Dist** (or **Freq**), Start Freq

Stop Frequency

[:SENSe]:FREQUENCY:STOP

Description: Sets the stop frequency. Note that changing the value of the stop frequency changes the value of coupled parameters: Center Frequency and Span.

Syntax: [:SENSe]:FREQUENCY:STOP <freq>
[:SENSe]:FREQUENCY:STOP?

Cmd Parameter: <NRf> <freq> (hertz)

Query Response: <NR3> <freq> (hertz)

Range: 5 kHz to 20 GHz for MS2028C, MS2038C
5 kHz to 15 GHz for MS2027C, MS2037C
5 kHz to 6 GHz for MS2026C, MS2036C

Default Value: 20000000000 Hz for MS2028C, MS2038C
15000000000 Hz for MS2027C, MS2037C
6000000000 Hz for MS2026C, MS2036C

Default Unit: Hz

Example: Sets the stop frequency to 10000 Hz:

```
:SENSe:FREQUENCY:STOP 10000
```

Sets the stop frequency to 5 MHz:

```
:SENSe:FREQUENCY:STOP 5MHZ
```

Sets the stop frequency to 1 GHz:

```
:SENS:FREQ:STOP 1GHZ
```

Front Panel

Access: **Freq/Time/Dist** (or **Freq**), Stop Freq

Get Frequency List

:SENSe<Tr>:FREQuency:DATA?

Description: Produces the frequency list in Hz for the given trace. <Tr> is the trace number in the range 1 to 8 (1 to 4 for Traces TR1 to TR4 and 5 to 8 for Memory M1 to M4). If no trace number is specified, then the <Tr> parameter defaults to trace number 1. The response begins with an ASCII header that specifies the number of data bytes. It appears in the format #AX, where A is the number of digits in X, and X is the number of bytes that follow the header. Each frequency point is in scientific notation and separated by a comma delimiter.

Syntax: :SENSe<Tr>:FREQuency:DATA?

Cmd Parameter: NA (query only)

Query Response: <char> <freq> (returns block data in hertz)

Default Unit: Hz

Related Command: :CALCulate<Tr>:TRANSform:TIME:DATA?
:CALCulate<Tr>:TRANSform:DISTance:DATA?

Front Panel

Access: NA

3-28 [:SENSE]:RFON[:STATE] Subsystem

This subsystem sets the state of the RF output signal at the VNA ports.

RF Power In Hold State

[:SENSE]:RFON[:STATE]

Description: Sets the state of the RF output signal at the VNA ports to be either ON or OFF when the sweep is set to Hold. When set to ON, the RF signal continues to be energized when the sweep is in hold. When set to OFF, the RF signal is turned off during the hold condition. Note that if the RF has been turned OFF during hold, then the sweep may require more time to stabilize when it is set to run.

Syntax: [:SENSE]:RFON[:STATE] ON|OFF|1|0

Cmd Parameter: <boolean> ON|OFF|1|0

Query Response: <bNR1> 1|0

Default Value: ON

Related Command: [:SENSE]:SWEep:TYPE
:INITiate:HOLD

Front Panel

Access: **Shift 3** (Sweep), RF Pwr in Hold

3-29 [:SENSe]:ROSCillator Subsystem

This subsystem contains commands that allow control of the reference frequency oscillator.

Reference Frequency Oscillator

:SENSe:ROSCillator[:SOURce]

Description: Sets the reference frequency oscillator source to either INTernal or EXTernal. The query version of this command returns the string "INT" if the current reference oscillator source is set to internal and returns the string "EXT" if it is currently set to external.

Syntax: :SENSe:ROSCillator[:SOURce] INTernal|EXTernal
:SENSe:ROSCillator[:SOURce]?

Cmd Parameter: <char> INTernal|EXTernal

Query Response: <char> INT|EXT

Default Value: INT

Front Panel

Access: **Shift-8** (System), Application, External Reference

External Reference Oscillator Frequency

:SENSe:ROSCillator:EXTernal:FREQUENCY?

Description: Query for the frequency of the external reference oscillator.

Syntax: :SENSe:ROSCillator:EXTernal:FREQUENCY?
:SENS:ROSC:EXT:FREQ?

Cmd Parameter: NA (query only)

Query Response: <NR3> <freq> (hertz)

Default Unit: Hz

Front Panel

Access: NA

3-30 [:SENSE]:SWEep Subsystem

This subsystem includes commands that affect the sweep parameters of the instrument.

IF Bandwidth

[:SENSE]:SWEep:IFBW

Description: Sets the IF Bandwidth. The <freq value> in Hz must be one of the following 13 values:

100000|50000|20000|10000|5000|2000|1000|500|200|
100|50|20|10

The query form of this command returns the frequency in Hz.

Syntax: [:SENSE]:SWEep:IFBW <freq value>
[:SENSE]:SWEep:IFBW?

Cmd Parameter: <char> <freq value>

Query Response: <char> <freq value>

Range: 10 to 100000 Hz

Default Value: 10000

Default Unit: Hz

Example: Sets the IF Bandwidth frequency to 20 Hz:

```
:SENS:SWE:IFBW 20
```

Sets the IF Bandwidth frequency to 100 kHz:

```
:SENS:SWE:IFBW 100000
```

Front Panel

Access: **Shift-3** (Sweep), IFBW

Number of Sweep Points

[:SENSe]:SWEep:POINTs

Description: Sets the total number of measurement points per sweep. Note that a sweep with a lower number of data points is completed in less time than a sweep with a higher number of data points.

Syntax: [:SENSe]:SWEep:POINTs <integer>
[:SENSe]:SWEep:POINTs?

Cmd Parameter: <NR1> <integer>

Query Response: <NR1> <integer>

Range: 2 to 4001

Default Value: 201

Front Panel

Access: **Shift-3** (Sweep), Data Points

Sweep Type

[:SENSe]:SWEep:TYPE

Description: Sets the sweep type. The query version of this command returns "SING" if current sweep is set to single sweep, returns "CONT" if set to continuous sweep, and returns "EXT" if set to external trigger. Note that setting the sweep type to SINGle sets the sweep to hold.

Syntax: [:SENSe]:SWEep:TYPE SINGle|CONTinuous|EXTernal
[:SENSe]:SWEep:TYPE?

Cmd Parameter: <char> SINGle|CONTinuous|EXTernal

Query Response: <char> SING|CONT|EXT

Default Value: CONT

Front Panel

Access: **Shift-3** (Sweep), Sweep Type

3-31 [:SENSE]:TRACe Subsystem

This subsystem includes commands that provide general settings for each trace.

Trace Domain

[:SENSE]:TRACe<Tr>:DOMain

Description: Defines the domain for the given trace <Tr>. <Tr> is the trace number in the range 1 to 4. If no trace number is specified, then the <Tr> parameter defaults to trace number 1. The query version of this command returns "FREQ" if domain is Frequency, "TIME" if domain is Time, "DIST" if domain is distance, and "FGT" if domain is Frequency Gated in Time.

Syntax: [:SENSE]:TRACe<Tr>:DOMain FREQUency|TIME|DISTance|FGT
[:SENSE]:TRACe<Tr>:DOMain?

Cmd Parameter: <char> FREQUency|TIME|DISTance|FGT

Query Response: <char> FREQ|TIME|DIST|FGT

Default Value: Trace 1: FREQ
Trace 2: FREQ
Trace 3: FREQ
Trace 4: FREQ

Example: To assign Time domain to trace 2:
:SENSE:TRACe2:DOMain TIME

Front Panel

Access: **Measure**, Domain Selection

Trace Select

[:SENSe]:TRACe<Tr>:SElect

Description: Selects the given trace, <Tr>, as the active trace. <Tr> is the trace number in the range 1 to 4. If no trace number is specified, then the <Tr> parameter defaults to trace number 1. Note that this may also change the total number of traces.

Syntax: [:SENSe]:TRACe<Tr>:SElect

Cmd Parameter: NA

Query Response: NA (no query)

Default Value: TR1

Example: To set trace 2 as the active trace:

```
:SENSe:TRACe2:SElect  
:SENS:TRAC2:SEL
```

To set trace 1 as the active trace:

```
:SENSe:TRACe1:SElect  
:SENSe:TRACe:SElect
```

Front Panel

Access: **Measure**, Active Trace

S Parameter

[:SENSE]:TRACe<Tr>:SPARams

Description: Defines the S-parameter for the given trace, <Tr>.

<Tr> is the trace number in the range 1 to 4. If no trace number is specified, then the <Tr> parameter defaults to trace number 1. The query version of this command returns "S11" if the S-parameter is set to S11, "S21" if set to S21, "S12" if set to S12, "S22" if set to S22, "SD1D1" if set to SD1D1, "SC1C1" if set to SC1C1, "SC1D1" if set to SC1D1, and "SD1C1" if set to SD1C1.

Note that S-parameter S_{D1D1}, S_{C1C1}, S_{C1D1}, and S_{D1C1} are available only if option 77 is installed.

Syntax: [:SENSE]:TRACe<Tr>:SPARams
 S11 | S21 | S12 | S22 | SD1D1 | SC1C1 | SC1D1 | SD1C1
 [:SENSE]:TRACe<Tr>:SPARams?

Cmd Parameter: <char> [S11 | S21 | S12 | S22 | SD1D1 | SC1C1 | SC1D1 | SD1C1]

Query Response: <char> [S11 | S21 | S12 | S22 | SD1D1 | SC1C1 | SC1D1 | SD1C1]

Default Value: Trace 1: S₁₁
 Trace 2: S₁₂
 Trace 3: S₂₁
 Trace 4: S₂₂

Example: To assign S₁₁ to trace 2:
 :SENSE:TRACe2:SPARams S11

Front Panel
 Access: **Measure**, S Parameter

Number of Traces

[:SENSE]:TRACe:TOTal

Description: Sets the number of traces to display.

Syntax: [:SENSE]:TRACe:TOTal <integer>
 [:SENSE]:TRACe:TOTal?

Cmd Parameter: <char> [1 | 2 | 3 | 4]

Query Response: <char> [1 | 2 | 3 | 4]

Range: 1 to 4

Default Value: 4

Example: To set number of traces to 3:
 :SENSE:TRACe:TOTal 3

Front Panel
 Access: **Measure**, Number of Traces

Active Trace

[:SENSe] :TRACe :SELEct?

Description: This command returns the current active trace number in the format TR#.

Syntax: [:SENSe] :TRACe :SELEct?

Cmd Parameter: NA (query only)

Query Response: <char> [TR1 | TR2 | TR3 | TR4]

Example: To query for the active trace number:

:SENS:TRAC:SEL?

Front Panel

Access: **Measure**, Active Trace

3-32 :SOURce Subsystem

The commands in this subsystem control the internal signal source.

Table 3-11. :SOURce Subsystem

Keyword	Parameter Data or Units
:SOURce	
:CORRection	Refer to “:SOURce:CORRection:RVELocity Subsystem” on page 3-149

Power Levels

:SOURce:POWer

Description: Sets the power levels.

Syntax: :SOURce:POWer LOW | HIGH
:SOURce:POWer?

Cmd Parameter: <char> [LOW | HIGH]

Query Response: <char> [LOW | HIGH]

Range: HIGH: 3 dBm to –3 dBm
LOW: –15 dBm to –25 dBm

Default Value: HIGH

Front Panel

Access: **Shift-3** (Sweep), Configure Ports, Source Power

3-33 :SOURce:CORRection:RVELocity Subsystem

Commands in this subsystem deal with the parameters of the physical media of the Device Under Test.

Propagation Velocity

:SOURce:CORRection:RVELocity

Description: Sets the propagation velocity of the cable for DTF measurements.

Syntax: :SOURce:CORRection:RVELocity <number>
:SOURce:CORRection:RVELocity?

Cmd Parameter: <NRf> <number> (unitless)

Query Response: <NR3> <number> (unitless)

Range: 0.001 to 1.0

Default Value: 1

Front Panel

Access: **Freq/Time/Dist** (or **Freq**), Domain Setup, Setup Distance, Additional Dist Setup, Propagation Velocity

Cable Loss

:SOURce:CORRection:RVELocity:CABLoss

Description: Sets the cable loss for DTF measurements. The query version of this command returns the cable loss in dB/m.

Syntax: :SOURce:CORRection:RVELocity:CABLoss <number>
:SOURce:CORRection:RVELocity:CABLoss?

Cmd Parameter: <NRf> <number> (unitless)

Query Response: <NR3> <number> (unitless)

Range: 0.0 to 5

Default Value: 0.0

Front Panel

Access: **Freq/time/Dist** (or **Freq**), Domain Setup, Setup Distance, Additional Dist Setup, Cable Loss (when DUT Line Type is Coax)

Cutoff Freq

:SOURce:CORRection:RVELOCITY:FCUToff

Description: Sets the Cutoff Frequency for DTF measurements.

Syntax: :SOURce:CORRection:RVELOCITY:FCUToff <freq>
:SOURce:CORRection:RVELOCITY:FCUToff?

Parameter: <freq>

Cmd Parameter: <NRf> <number> (hertz)

Query Response: <NR3> <number> (hertz)

Range: 5 kHz to 20 GHz for MS2028C, MS2038C
5 kHz to 15 GHz for MS2027C, MS2037C
5 kHz to 6 GHz for MS2026C, MS2036C

Default Value: 5000 Hz

Default Unit: Hz

Front Panel

Access: **Freq/Time/Dist** (or **Freq**), Domain Setup, Setup Distance, Additional Dist Setup, Cutoff Freq (when DUT Line Type is Waveguide)

DUT Line Type

:SOURce:CORRection:RVELOCITY:MEDIum

Description: Sets the calibration line type.

Syntax: :SOURce:CORRection:RVELOCITY:MEDIum COAX|WGUide
:SOURce:CORRection:RVELOCITY:MEDIum?

Cmd Parameter: <char> [COAX|WGUide]

Query Response: <char> [COAX|WGU]

Default Value: COAX

Front Panel

Access: **Freq/Time/Dist** (or **Freq**), Domain Setup, Setup Distance, Additional Dist Setup, DUT Line Type

Waveguide Loss

:SOURce:CORRection:RVELOCITY:WGLoss

Description: Sets the waveguide loss for DTF measurements. The query version of this command returns the waveguide loss in dB/m.

Syntax: :SOURce:CORRection:RVELOCITY:WGLoss <number>
:SOURce:CORRection:RVELOCITY:WGLoss?

Cmd Parameter: <NRf> <number> (unitless)

Query Response: <NR3> <number> (unitless)

Range: 0.0 to 5

Default Value: 0.0

Front Panel

Access: **Freq/Time/Dist** (or **Freq**), Domain Setup, Setup Distance, Additional Dist Setup, Waveguide Loss (when DUT Line Type is Waveguide)

3-34 :STATus Subsystem

The commands in this subsystem relate to the current operating state of the instrument.

Query Operation Status

:STATus:OPERation?

Description: This command requests information about the current status of the instrument. Each bit of the return value represents some operation. Only a subset of the bits are implemented for each application. The number returned is the decimal representation of the bit-wise OR of the enabled bits.

Bit	Decimal Value	Description
0	1	Not implemented
1	2	Not implemented
2	4	Not implemented
3	8	Not implemented
4	16	Not implemented
5	32	Not implemented
6	64	Not implemented
7	128	Not implemented
8	256	Sweep Complete – This bit is set to 0 when the command :INITiate[:IMMEDIATE] is sent to trigger a sweep. It will have a value of 1 when the sweep has completed.
9	512	Not implemented
10	1024	Not implemented
11	2048	Not implemented
12	4096	Not implemented
13	8192	Not implemented
14	16384	Not implemented
15	0	Will always be 0

Syntax: :STATus:OPERation?

Cmd Parameter: NA (query only)

Query Response: <decimal> (0 to 15 bit)

Front Panel

Access: NA

3-35 :SYSTEM Subsystem

The commands in this subsystem relate to the current operating state of the instrument.

Motherboard Temperature

:SYSTEM:MBTemperature?

Description: This command returns the current mother board temperature in degrees Celsius.

Syntax: :SYSTEM:MBTemperature?

Cmd Parameter: NA (query only)

Query Response: <NR3> (degree Celsius)

Front Panel

Access: NA

3-36 Trace Subsystem

This subsystem contains commands related to the transfer of trace data to and from the instrument.

Trace Data Transfer

:TRACe [:DATA] ?

Description: Transfers the trace data of the given trace from the instrument to the controller.

The format of the block data that is returned can be specified by the command :FORMat:DATA. The response begins with an ASCII header that specifies the number of data bytes. It appears in the format #AX, where A is the number of digits in X, and X is the number of bytes that follow the header. Each data point is separated by a comma delimiter. Independent of the Graph Type that is associated with the trace, each data point that is transferred by this command consists of complex measurement data (Real and Imaginary values for that point). A 551 point trace therefore has a total of 1102 points that get transferred.

Syntax: :TRACe [:DATA] ? [1] | 2 | 3 | 4

Cmd Parameter: NA (query only)

Query Response: <block>

Related Command: :FORMat:DATA;
:CALCulate<Tr>:DATA?

Front Panel

Access: NA

Trace Header Transfer

:TRACe:PREamble?

Description: Returns trace header information for the specified trace. Data can be transferred from the 4 available display traces. Use the commands in the **MMEMory** subsystem to store and recall traces from the instrument memory. The response begins with an ASCII header. The header specifies the number of following bytes. It appears in the format #AX, where A is the number of digits in X, and X is the number of bytes that follow the header. Refer to the following section, “[Example Response Format](#)”.

Parameters are returned in comma-delimited ASCII format. Each parameter is returned as “NAME=VALUE [UNITS]”. Note that the parameters that are returned depend on the firmware version and that this document does not cover all parameter values that are returned by the command.

Syntax: :TRACe:PREamble? [1] | 2 | 3 | 4

Cmd Parameter: NA (query only)

Query Response: <block> (returns block data)

Front Panel

Access: NA

Example Response Format:

#AX is #40078, where A = 4 (the number of digits in number X), and X = 0078 (the response has 78 characters).

```
#40078SN=6897458,TYPE=DATA,DATE=2009-03-18-03-13-20-00,INT_BIAS_TEE_
CURRENT=0.000000
```

Parameters are returned in comma-delimited ASCII format. Each parameter is returned as “NAME=VALUE[UNITS]”. For the example response, the serial number (SN) is 6897458 and is returned as “SN=6897458”.

Note

The parameters that are returned depend on the firmware version in the MS20xxC, and this document does not cover all possible parameter values that can be returned by the command.

The following 3 tables describe parameters that can be returned by the :TRACe:PREamble? command:

- [Table 3-12, “Trace Header Parameters” on page 3-155](#)
- [Table 3-13, “Trace Header Marker Parameters” on page 3-164](#)
- [Table 3-14, “Trace Header Limits Parameters” on page 3-165](#)

Trace Header Transfer (continued)**Table 3-12.** Trace Header Parameters (Sheet 1 of 9)

Parameter Name	Description
SN	Instrument serial #
UNIT_NAME	Instrument name
TYPE	The data type (Setup or Data)
DATE	Trace date/time
APP_NAME	Application name
APP_VER	Application firmware (FW) version
SUB_MODE	Sub Mode type, where: 0 is for Vector Network Analyzer, 1 is for Power Monitor, and 2 is for Vector Voltmeter
S_TYPE	Active trace S type. Current available S Types are: S11 = 0, S21 = 1, S12 = 2, S22 = 3, SD1D1 = 4, SC1C1 = 5, SC1D1 = 6, SD1C1 = 7
TRACE_S_TYPES	S types for all 4 traces. This uses a bit mask, where the bit shift mask is defined as: S_TYPE_BIT_SHIFT 4 S_TYPE_BIT_MASK 0xF For example, to get the S type for trace 1: (int) (sTypes >> (S_TYPE_BIT_SHIFT * 0)) & S_TYPE_BIT_MASK
GRAPH_TYPE	Active Trace graph type. Current available graph types are: Log Mag = 0, SWR = 1, Phase = 2, Real = 3, Imaginary = 4, Group delay = 5, Smith Chart = 6, Log Mag/2 = 7 Linear Polar = 8 Log Polar = 9 Real Impedance = 10 Imaginary Impedance = 11 Inverted Smith Chart = 12,

Table 3-12. Trace Header Parameters (Sheet 2 of 9)

Parameter Name	Description
TRACE_GRAPH_TYPES	Graph types for all 4 traces. This uses a bit mask shift, where the bit shift mask is defined as: GRAPH_TYPE_BIT_SHIFT 16 GRAPH_TYPE_BIT_MASK 0xFFFF
DOMAIN	Active Trace domain type, where: 0 is frequency domain, 2 is for distance domain
TRACE_DOMAIN_TYPES	Domain types for all 4 traces. This uses a bit mask shift, where the bit shift mask is defined as: DOMAIN_TYPE_BIT_SHIFT 4 DOMAIN_TYPE_BIT_MASK 0xF
DOMAIN_SETUP	Current Domain Setup. Available Domain setups are: Freq = 0, Dist = 2
TRACE_MATH_TYPES	Trace Math types. This uses a bit mask shift, where the bit shift mask is defined as: MATH_TYPE_BIT_SHIFT 4 MATH_TYPE_BIT_MASK 0xF Available math type are: None = 0, Subtract = 1, Add = 2, Multiply = 3, Divide = 4
TRACE_DISPLAY_TYPES	Trace display types. Available trace types are: Trace Only = 0, Memory Only = 1, Trace and Memory = 2
TRACE_MEMORY_STATE	For save/recall purpose. Where 0 is Off and 1 is On.
SMITH_CHART_TYPE	Current active trace Smith Chart type. Available Smith Chart types are: Normal = 0, Expand 10dB = 1, Expand 20dB = 2, Expand 30dB = 3, Compress 3dB = 4 This also applies to Inverted Smith Chart.
TRACE_SMITH_CHART_TYPES	Smith Chart type. This uses a bit mask shift, where the bit shift mask is defined as: SMITH_CHART_TYPE_BIT_SHIFT 4 SMITH_CHART_TYPE_BIT_MASK 0xF For available types, refer to "SMITH_CHART_TYPE" . This also applies to Inverted Smith Chart.

Table 3-12. Trace Header Parameters (Sheet 3 of 9)

Parameter Name	Description
SMITH_REF_IMPED	Reference Impedance. Where: 50 ohm = 0. and 75 ohm = 1 This also applies to Inverted Smith Chart.
TOTAL_CHANNELS	Trace Format. Available trace format are: Single = 1, Dual = 2, Tri = 3, Quad = 4
ACTIVE_TRACE	Current active trace. Where: 0 is for trace 1, 1 for trace 2, 2 for trace 3, and 3 for trace 4
TOTAL_TRACE	Total number of traces
AVERAGING_COUNT	Current Averaging Count
AVERAGING_FACTOR	Averaging factor
EXTERNAL_REFERENCE	External Reference where 0 is for Off and 1 is for Locked
EXT_REF_FREQ_LIST	Currently not being used.
SWEEP_TYPE	Sweep type. Available sweep types are: Single = 0, Continuous = 1, and External = 2
EXTERNAL_TRIGGER	Currently not being used.
BIAS_TEE_STATE	Bias Tee State. Currently available Bias Tee states are: Off = 0, External = 1, Internal = 2
BIAS_TEE_PORT_SELECTION	Bias Tee port selection. Where: 0 is port 1, and 1 is port 2.
BIAS_TEE_VOLTAGE_Px	Internal Bias Tee voltage, where: x is the port number. Return value is 1000 times the current voltage value in Volts.
INT_BIAS_TEE_VOLTAGE	Internal Bias Tee voltage. Return value in mV. Internal Bias Tee current limit, where: x is the port number. Return value is in mA.
BIAS_TEE_CURRENT_LIMIT_Px	Internal Bias Tee current limit, where: x is the port number. Return value is in mA.
INT_BIAS_TEE_CURRENT	Internal Bias Tee current. Return value is in mA.
RF_SOURCE_POWER	Source Power. Current valid source power: low = 0, and high = 1.

Table 3-12. Trace Header Parameters (Sheet 4 of 9)

Parameter Name	Description
CABLE	The index of the selected cable list, where 0 is the first in the list.
DIST_UNITS	Distance units. Available distance units are: Meter = 0, Feet = 1
IFBW	The index of the selected IFBW list, where 0 is the first in the list.
DUT_LINE_TYPE	DUT Line Type, where Coax = 0.
CUTOFF_FREQ	Cutoff Freq. Returns in units of megahertz.
PROP_VEL	Propagation Velocity. Value returned is 1000 times the propagation velocity value.
CABLE_LOSS	Cable Loss. Value returned is 1000 times the cable loss value.
MARKER_SELECTED	The current selected marker, where marker # is the value + 1. For example, a value of 0 is marker number 1.
MARKER_TYPE	The current selected marker type. Where: Ref = 0 delta = 1 off = 2
MARKER_TABLE	Currently not being used.
MARKER_READOUT_STYLE	The current selected marker readout style. Available readout styles are: Graph = 0, Log Mag = 1 Log Mag and Phase = 2 Phase = 3 Real and Imaginary = 4 SWR = 5 Impedance = 6 Admittance = 7 Normalized Impedance = 8 Normalized Admittance = 9 Polar Impedance = 10 Group Delay = 11 Log Mag/2 = 12 Lin Mag = 13 Lin Mag and Phase = 14

Table 3-12. Trace Header Parameters (Sheet 5 of 9)

Parameter Name	Description
MARKER_READOUT_FORMAT	Marker Readout Format. Available readout formats are: None = 0 Trace = 1 Screen = 2 Table = 3
PORT_x_REF_PLANE_LENGTH	Reference Plane Length, where x is the port number. Returns in units of meter.
TRACE_SMOOTHING_PERCENT	Trace smoothing percent. This uses a bit mask shift, where the bit shift mask is defined as: PERC_SMOOTHING_BIT_SHIFT 8 PERC_SMOOTHING_BIT_MASK 0xFF
SMOOTHING_PERCENT	Current active trace smoothing percent.
CURRENT_LIMIT	The limit type (upper/lower) for the active trace. Upper = 0 and Lower = 1
LIMIT_STATE	The limit state (on/off) for the active trace. On = 0, Off = 1
LIMIT_ALARM	The limit alarm (on/off) for the active trace. On = 0, Off = 1
LIMIT_MESSAGE	Limit Pass Fail Message (on/off) for the active trace. On = 0, Off = 1.
CURRENT_TEMPERATURE	The current temperature. Valid only with a cal. To get the temperature in Celsius divide the result by 4.
TRACE_x_LP_MODE	Low Pass On/Off, where x is the trace number and a value of 1 implies low pass, and 0 implies off
TRACE_x_LP_RESPONSE_TYPE	Low Pass Response, where x is the trace number and a value of 0 = Impulse, and 1 = Step
TRACE_x_LP_PHASOR_IMPULSE	Band Pass Response, where x is the trace number and a value of 0 = standard and 1 = phasor.
TRACE_x_POLAR_RESOLUTION	Linear Polar Resolution, where x is the trace number. Returned value is 1000 times the resolution value
TRACE_x_POLAR_REFERENCE	Linear Polar Reference value, where x is the trace number. Returned value is 1000 times the reference value
TRACE_x_POLAR_REFERENCE_LINE	Currently not used

Table 3-12. Trace Header Parameters (Sheet 6 of 9)

Parameter Name	Description
TRACE_x_LOG_POLAR_RESOLUTION	Log Polar Resolution, where x is the trace number. Returned value is in dB.
TRACE_x_LOG_POLAR_REFERENCE	Log Polar Reference value, where x is the trace number. Returned value is in dB.
TRACE_x_LOG_POLAR_REFERENCE_LINE	Currently not used
TRACE_x_REAL_Z_RESOLUTION	Real Impedance resolution, where x is the trace number. Returned value is 1000 times the resolution value.
TRACE_x_REAL_Z_REFERENCE	Real Impedance Reference value, where x is the trace number. Returned value is 1000 times the reference value.
TRACE_x_REAL_Z_REFERENCE_LINE	Real Impedance Reference line, where x is the trace number.
TRACE_x_IMAG_Z_RESOLUTION	Imaginary Impedance resolution, where x is the trace number. Returned value is 1000 times the resolution value.
TRACE_x_IMAG_Z_REFERENCE	Imaginary Impedance Reference value, where x is the trace number. Returned value is 1000 times the reference value.
TRACE_x_IMAG_Z_REFERENCE_LINE	Imaginary Impedance Reference line, where x is the trace number.
TRACE_x_START_FREQ	Start freq, where x is the trace number. Returns in units of megahertz.
TRACE_x_STOP_FREQ	Stop frequency, where x is the trace number. Returns in units of megahertz.
TRACE_x_CENTER_FREQ	Center frequency, where x is the trace number. Returns in units of megahertz.
TRACE_x_SPAN	Frequency span, where x is the trace number. Returns in units of megahertz.
TRACE_x_START_DIST	Start distance, where x is the trace number. Depending on the given distance unit, value is returned in units of either microfeet or micrometer.
TRACE_x_STOP_DIST	Stop distance, where x is the trace number. Depending on the given distance unit, value is returned in units of either microfeet or micrometer.
TRACE_x_SMOOTHING_PERCENT	Currently not used.

Table 3-12. Trace Header Parameters (Sheet 7 of 9)

Parameter Name	Description
TRACE_x_WINDOWING	Windowing, where x is the trace number. Available windowing settings are: Rectangular = 0, Nominal Side Lobe = 1, Low Side Lobe = 2, Minimum Side Lobe = 3
TRACE_x_GD_APERTURE	Group Delay Aperture, where x is the trace number.
TRACE_x_DSP_DATA_POINTS	Number of data points, where x is the trace number.
TRACE_x_LOG_MAG_RESOLUTION	Log Mag Resolution, where x is the trace number. Returned value is in dB.
TRACE_x_LOG_MAG_REFERENCE	Log Mag Reference value, where x is the trace number. Returned value is in dB.
TRACE_x_LOG_MAG_REFERENCE_LINE	Log Mag Reference Line, where x is the trace number.
TRACE_x_SWR_RESOLUTION	SWR Resolution, where x is the trace number. Returned value is 1000 times the SWR Resolution.
TRACE_x_SWR_REFERENCE	SWR Reference value, where x is the trace number. Returned value is 1000 times the SWR Reference value.
TRACE_x_SWR_REFERENCE_LINE	SWR Reference Line, where x is the trace number.
TRACE_x_PHASE_RESOLUTION	Phase Resolution, where x is the trace number. Returned value is 1000 times the phase resolution.
TRACE_x_PHASE_REFERENCE	Phase Reference value, where x is the trace number. Returned value is 1000 times the phase reference value.
TRACE_x_PHASE_REFERENCE_LINE	Phase Reference Line, where x is the trace number.
TRACE_x_REAL_RESOLUTION	Real Resolution, where x is the trace number. Returned value is 1000 times the resolution per div value.
TRACE_x_REAL_REFERENCE	Real Reference value, where x is the trace number. Returned value is 1000 times the reference value.
TRACE_x_REAL_REFERENCE_LINE	Real Reference line, where x is the trace number.
TRACE_x_IMAG_RESOLUTION	Imaginary Resolution, where x is the trace number. Returned value is 1000 times the reference value.

Table 3-12. Trace Header Parameters (Sheet 8 of 9)

Parameter Name	Description
TRACE_x_IMAG_REFERENCE	Imaginary Reference value, where x is the trace number. Returned value is 1000 times the reference value.
TRACE_x_IMAG_REFERENCE_LINE	Imaginary Reference line, where x is the trace number.
TRACE_x_GD_RESOLUTION	Group Delay Resolution, where x is the trace number. Returns in units of picoseconds.
TRACE_x_GD_REFERENCE	Group Delay Reference value, where x is the trace number. Returns in units of picoseconds.
TRACE_x_GD_REFERENCE_LINE	Group Delay Reference line, where x is the trace number.
TRACE_x_SMITH_SCALE	Currently not used.
TRACE_x_SMITH_IMPEDANCE	Currently not used.
TRACE_x_SMITH_IMPEDANCE_LINE	Currently not used.
TRACE_x_1PCL_RESOLUTION	Log Mag/2 resolution, where x is the trace number. Returned value is in dB.
TRACE_x_1PCL_REFERENCE	Log Mag/2 Reference value, where x is the trace number. Returned value is in dB.
TRACE_x_1PCL_REFERENCE_LINE	Log Mag/2 Reference line, where x is the trace number.
TRACE_x_POLAR_RESOLUTION	Currently not used.
TRACE_x_POLAR_REFERENCE	Currently not used.
TRACE_x_POLAR_REFERENCE_LINE	Currently not used.
CAL_METHOD	Calibration Method, where: SOLT = 0, SSLT = 1, and SSST = 2.
CAL_TYPE	The index of the selected calibration type list, where 0 is the first in the list.
CAL_LINE_TYPE	Calibration Line Type, where coax = 0.
CAL_PORTx_DUT	The index of the selected Calibration Coax DUT Selector list for port x, where 0 is the first in the list.
CAL_CORRECTION	Calibration correction, where On = 0, and Off = 1
APP_SELF_TEST_MODE	Internal use only
DEBUG_MEAS_GAIN_RANGE	Internal use only
LOG_COUNTER_EVENTS	Internal use only
SWEEP_DEFAULT_FREQS	Internal use only
PWRCAL_RF_SWITCH_FREQ	Internal use only
PWRCAL_LOW_RF_HIGH_TARGET	Internal use only

Table 3-12. Trace Header Parameters (Sheet 9 of 9)

Parameter Name	Description
PWRCAL_LOW_RF_LOW_TARGET	Internal use only
PWRCAL_UPPER_RF_HIGH_TARGET	Internal use only
PWRCAL_UPPER_RF_LOW_TARGET	Internal use only
PWRCAL_UW_RF_HIGH_TARGET	Internal use only
PWRCAL_UW_RF_LOW_TARGET	Internal use only
USER_DEFINED_CAL_KIT_NAME	Internal use only
USER_DEFINED_CAL_KIT	Internal use only
TRACE_LABEL_STATE	Trace label On/Off, where On = 0, Off = 1

Trace Header Transfer (continued)**Table 3-13.** Trace Header Marker Parameters

Markers Parameter Name	Description
MKR_MWVNA_Xx	Marker x X value (where x is the marker number 1 to 8)
MKR_MWVNA_POINTx	Marker x display point
MKR_MWVNA_REALx	Marker x Real value
MKR_MWVNA_IMAGx	Marker x Imaginary value
MKR_MWVNA_READOUTx	Marker x readout style. Available readout styles are: Graph = 0 Log Mag = 1 Log Mag and Phase = 2 Phase = 3 Real and Imaginary = 4 SWR = 5 Impedance = 6 Admittance = 7 Normalized Impedance = 8 Normalized Admittance = 9 Polar Impedance = 10 Group Delay = 11 Log Mag/2 = 12 Lin Mag = 13 Lin Mag and Phase = 14
MKR_MWVNA_FLAGSx	Marker x flags: MWVNA_MARKER_REF_BIT 0x00000001 MWVNA_MARKER_DELTA_BIT 0x00000002 MWVNA_MARKER_ALL_BIT 0x00000004 MWVNA_MARKER_INIT_BIT 0x00000008 MWVNA_MARKER_ZERO_SPAN_BIT 0x00000010 MWVNA_MARKER_OUT_OF_RANGE_BIT ... 0x00000020
MKR_TRACEx	Specifies to which trace the marker x is attached
MKR_DELTA_TOx	Specifies to which trace the marker x is delta

Trace Header Transfer (continued)

Table 3-14. Trace Header Limits Parameters

Limits Parameter Name	Description
LIMIT_MWVNA_FLAGS_UPx LIMIT_MWVNA_FLAGS_LOx	Upper(UP)/Lower(LO) Limit flags for trace x: LIMIT_LEFT_OF_SCREEN 0x00000001 LIMIT_RIGHT_OF_SCREEN . . . 0x00000002 LIMIT_IS_ON 0x00000004 LIMIT_IS_RELATIVE 0x00000008 LIMIT_ALARM_IS_ON 0x00000010 LIMIT_LIMIT_UNINITIALIZED . 0x00000020 LIMIT_MESSAGE_ON 0x00000040
LIMIT_MWVNA_POINT_UPx_# LIMIT_MWVNA_POINT_LOx_#	Upper/Lower Limit point value for trace x, where # is the limit point number. Each point value contains the X-axis value, Y-axis value, limit point, and limit flags, separated by a space. Note: Limit point and limit flags are not currently used and always returns a value of 0.000000 for limit point and 0 for limit flags.
LIMIT_MWVNA_GRAPH_TYPE_UPx LIMIT_MWVNA_GRAPH_TYPE_LOx	Upper/Lower Limits Graph type. For available graph types, refer to “GRAPH_TYPE”.
LIMIT_MWVNA_TOTAL_POINTS_UPx LIMIT_MWVNA_TOTAL_POINTS_LOx	Upper/Lower Limit total points.

Chapter 4 — Vector Voltmeter Commands

4-1 Introduction

This chapter describes commands for Vector Voltmeter mode. Only the commands that are listed in this chapter and in [Chapter 8, “All Mode Commands”](#) can be used in Vector Voltmeter mode. Using commands from other modes may produce unexpected results.

Notational conventions are described in [Section 2-10 “Command and Query Notational Conventions”](#) on page 2-12.

4-2 VVM Commands

Table 4-1. VVM Commands Subsystems

Keyword	Parameter Data or Units
:MMEMory	Refer to “:MMEMory:STORe Subsystem” on page 4-6
:TRACe	Refer to “:TRACe VVM Subsystem” on page 4-8
[:SENSe]	
:VVM	Refer to “[:SENSe]:VVM Subsystem” on page 4-11
:CABLe	Refer to “[:SENSe]:VVM:CABLe Subsystem” on page 4-14
:FREQuency	Refer to “[:SENSe]:VVM:FREQuency Subsystem” on page 4-15
:REFerence	Refer to “[:SENSe]:VVM:REFerence Subsystem” on page 4-16
:FETCh	
:VVM	Refer to “:FETCh:VVM Subsystem” on page 4-17
:REFerence	Refer to “FETCh:VVM:REFerence Subsystem” on page 4-20
The following commands are described in Chapter 3.	
[:SENSe] :CALibration	Refer to “[:SENSe]:CALibration Subsystem” on page 3-104
[:SENSe] :CORRection	Refer to “[:SENSe]:CORRection Subsystem” on page 3-105
[:SENSe] :CORRection :CKIT	Refer to “[:SENSe]:CORRection:CKIT Subsystem” on page 3-108
[:SENSe] :CORRection :CKIT :USER	Refer to “[:SENSe]:CORRection:CKIT:USER Subsystem” on page 3-114
[:SENSe] :CORRection :COLLect	Refer to “[:SENSe]:CORRection:COLLect Subsystem” on page 3-118

4-3 :MMEMory Subsystem

The Mass Memory subsystem contains functions that provide access to the instrument setup and data storage.

Table 4-2. :MMEMory Subsystem

Keyword	Parameter Form	Parameter Data or Units	Notes
:MMEMory			
:LOAD		Refer to “:MMEMory:LOAD Subsystem” on page 4-4	
:STORe		Refer to “:MMEMory:STORe Subsystem” on page 4-6	

4-4 :MMEMory:LOAD Subsystem

The Mass Memory Load subsystem contains commands to transfer from the mass memory device to the internal memory.

Note	Recall and Save for both setup and measurement, as described in this section, are specific for vector network analyzer modes, not for spectrum analyzer mode.
-------------	---------------------------------------------------------------------------------------------------------------------------------------------------------------

Recall Setup

:MMEMory:LOAD:STATe

Description: No query. Recalls a previously stored setup from the current save location. The saved setup that is to be loaded is specified by <file name>. <file name> must be enclosed in either single quotes (') or double quotes (" ") and must include the extension ".stp". The <integer> parameter is not currently used, but it must be sent. Send a value of 1.

Note	When recalling a setup that causes a mode switch, wait a minimum of 60 seconds before issuing the next command.
-------------	-----------------------------------------------------------------------------------------------------------------

Syntax: :MMEMory:LOAD:STATe <integer>,<file name>

Cmd Parameter: <integer>,<string> (1, file name)

Cmd Parameter: **NA** (no query)

Related Command: :MMEMory:STORe:STATe
:MMEMory:MSIS INTernal|USB

Front Panel

Access: **Shift-7** (File), Recall, Change Type (select file type from list)

Recall Measurement

:MMEMemory:LOAD:TRACe

Description: Recalls a previously stored measurement trace from the current save location. The saved measurement trace that is to be loaded is specified by <file name>. <file name> must be enclosed in either single quotes (') or double quotes ("") and must contain a file extension of ".mna". Note that the trace that is specified by <file name> must be available at the current save location. The <integer> parameter is not currently in use, but it must be sent. Send a 1. File Extensions: ".mna".

Syntax: :MMEMemory:LOAD:TRACe <integer>,<file name>

Cmd Parameter: <integer>,<string> (1, file name)

Query Response: NA (no query)

Example: To recall trace with file name "trace":

```
:MMEMemory:LOAD:TRACe 1, "trace.mna"
```

Related Command: :MMEMemory:STORe:TRACe
:MMEMemory:MSIS INTernal|USB

Front Panel

Access: **Shift-7** (File), Recall, Change Type (select file type from list)

4-5 :MMEMory:STORe Subsystem

The Mass Memory Store subsystem contains commands to transfer from the internal memory to the mass memory device.

Save Setup

:MMEMory:STORe:STATe

Description: Stores the current setup into the file that is specified by14

<file name>. <file name> must be enclosed in either single quotes (') or double quotes ("") and must not contain a file extension. The <integer> is used to distinguish whether the calibration should be saving with the setup. Send a 1 to save setup without a calibration. Send a 2 to save setup with calibration.

Syntax: :MMEMory:STORe:STATe <integer>,<file name>

Cmd Parameter: <integer>,<string> (1|2, filename)

Query Response: NA (no query)

Front Panel

Access: NA

Save Measurement

:MMEMory:STORe:TRACe

Note	This command is specific for vector network analyzer modes, not for spectrum analyzer mode.
-------------	---------------------------------------------------------------------------------------------

Description: Stores the trace into the file that is specified by `<file name>`. `<file name>` must be enclosed in either single quotes (') or double quotes ("") and must not contain a file extension. The `<integer>` parameter is used to distinguish which type of files to save. The following types are available:

<Integer>	: File type
1	: Measurement file (default, if number is not 2 to 6)
2	: S2P Real/Imag
3	: S2P Lin Mag/Phase
4	: S2P Log Mag/Phase
5	: Text
6	: CSV

Syntax: `:MMEMory:STORe:TRACe <integer>,<file name>`

Cmd Parameter: `<integer>,<string>` (1|2, filename)

Query Response: NA (no query)

Example: To save the trace into the file named "trace".
`:MMEMory:STORe:TRACe 1,"trace"`

Related Command: `:MMEMory:LOAD:TRACe`

Front Panel

Access: **Shift-7** (File), Save, Change Type (select file type from list)
Shift-7 (File), Save Measurement

4-6 :TRACe VVM Subsystem

This subsystem contains commands pertaining to the Vector Voltmeter mode.

Table 4-3. :TRACe VVM Subsystem Commands

Keyword	Parameter Form	Parameter Data or Units	Notes
:TRACe			
:PREamble?	<char>	Returns block data	Query Only

Trace Header Transfer

:TRACe:PREamble?

Description: Query only. Returns trace header information. The response begins with an ASCII header. The header specifies the number of following bytes. It appears in the format #AX, where A is the number of digits in X, and X is the number of bytes that follow the header.

Parameters are returned in comma-delimited ASCII format. Each parameter is returned as "NAME=VALUE [UNITS] ". Note that the parameters that are returned depend on the firmware version and that this document does not cover all parameter values that are returned by the command. Refer to [Table 4-4, "Trace Header Parameters"](#).

For the example response, the serial number (SN) is 83320012 and is returned as "SN=83320012". Refer to section "[Example Response Format](#):" on page 4-9.

Syntax: :TRACe:PREamble?

Query Response: <char> (returns block data)

Front Panel

Access: NA

Trace Header Transfer (continued)

Example Response Format:

```
[#800001070SN=83320012,UNIT_NAME=,TYPE=DATA,DATE=1999-11-30-02-00-10-10,
APP_NAME=MWVNA,APP_VER=T0.00.1001,VVM_MODE=0.000000,VVM_CW_FREQ=
0.005000,VVM_MEAS_TYPE=0.000000,VVM_RETURN_MEAS_FORMAT=0.000000,
VVM_CABLE=1.000000,VVM_PORT_1_SAVE_RETURN_REF=0.000000,VVM_PORT_1_
SAVE_INSERTION_REF=0.000000,VVM_PORT_2_SAVE_RETURN_REF=0.000000,VVM_
PORT_2_SAVE_INSERTION_REF=0.000000,VVM_PORT_1_RETURN_REF_AMP=
0.000000,VVM_PORT_1_RETURN_REF_PHASE=0.000000,VVM_PORT_1_RETURN_REF_
VSWR=1000.000000,VVM_PORT_1_RETURN_REF_REAL=0.000000,VVM_PORT_1_
RETURN_REF_IMAG=0.000000,VVM_PORT_1_INSERTION_REF_AMP=0.000000,VVM_
PORT_1_INSERTION_REF_PHASE=0.000000,VVM_PORT_1_RETURN_REF_RAW_
REAL=1000000.000000,VVM_PORT_1_RETURN_REF_RAW_IMAG=0.000000,VVM_PORT
_2_RETURN_REF_AMP=0.000000,VVM_PORT_2_RETURN_REF_PHASE=0.000000,VVM_
PORT_2_RETURN_REF_VSWR=1000.000000,VVM_PORT_2_RETURN_REF_REAL=
0.000000,VVM_PORT_2_RETURN_REF_IMAG=0.000000,VVM_PORT_2_INSERTION_
REF_AMP=0.000000,VVM_PORT_2_INSERTION_REF_PHASE=0.000000,VVM_PORT_2_
RETURN_REF_RAW_REAL=1000000.000000,
VVM_PORT_2_RETURN_REF_RAW_IMAG=0.000000,CAL_PORT=1]
```

Trace Header Parameters

Table 4-4 describes parameters that can be returned by the :TRACe:PREamble? command.

Table 4-4. Trace Header Parameters (Sheet 1 of 2)

Parameter Name	Description
SN	Instrument Serial #
UNIT_NAME	Instrument name
DATE	Trace date/time
APP_NAME	Application name
APP_VER	Application firmware (FW) version
VVM_MODE	Mode 0 = CW 1 = Table
VVM_CW_FREQ	CW frequency
VVM_MEAS_TYPE	Measurement Type 0 = Return 1 = Insertion
VVM_RETURN_MEAS_FORMAT	Return Type Measurement Format 0 = dB 1 = VSWR 2 = Impedance

Table 4-4. Trace Header Parameters (Sheet 2 of 2)

Parameter Name	Description
VVM_CABLE	Selected Cable number 1 to 12
VVM_PORT_X_SAVE_RETURN_REF	Saved status for Port x Return reference, where x = 1 or 2
VVM_PORT_X_SAVE_INSERTION_REF	Saved status for Port x Insertion reference, where x = 1 or 2
VVM_PORT_X_RETURN_REF_AMP	Return reference amplitude for Port x, where x = 1 or 2
VVM_PORT_X_RETURN_REF_PHASE	Return reference phase for Port x, where x = 1 or 2
VVM_PORT_X_RETURN_REF_VSWR	Return reference VSWR for Port x, where x = 1 or 2
VVM_PORT_X_RETURN_REF_REAL	Return reference real for Port x, where x = 1 or 2
VVM_PORT_X_RETURN_REF_IMAG	Return reference imaginary for Port x, where x = 1 or 2
VVM_PORT_X_INSERTION_REF_AMP	Insertion reference amplitude for Port x, where x = 1 or 2
VVM_PORT_X_INSERTION_REF_PHASE	Insertion reference phase for Port x, where x = 1 or 2
CAL_PORT	Port # (where 0 is Port 1, and 1 is Port 2)

4-7 [:SENSE]:VVM Subsystem

This subsystem contains commands pertaining to the Vector Voltmeter mode.

Table 4-5. [:SENSE]:VVM Subsystem Commands

Keyword	Parameter Data or Units
[:SENSE]	
:VVM	
:CABLE	Refer to “[:SENSE]:VVM:CABLE Subsystem” on page 4-14.
:FREQUENCY	Refer to “[:SENSE]:VVM:FREQUENCY Subsystem” on page 4-15
:REFERENCE	Refer to “[:SENSE]:VVM:REFERENCE Subsystem” on page 4-16

Return Measurement Format

[:SENSE]:VVM:FORMAT DB | VSWR | IMPEDANCE

Description: Sets the VVM Return type measurement format. The query format of the command returns the VVM Return type measurement format.

Query: [:SENSE]:VVM:FORMAT?

Syntax: [:SENSE]:VVM:FORMAT DB | VSWR | IMPEDANCE

Cmd Parameter: <char> DB | VSWR | IMPEDANCE

Query Response: <char> DB | VSWR | IMP

Default Value: DB

Example: To set the type to VSWR:

```
[:SENSE]:VVM:FORMAT VSWR
```

Front Panel

Access: **CW**, Return Meas Format

Measurement Mode

[:SENSe] :VVM:MODE CW|TABLE

Description: Sets the VVM measurement mode. The query format of the command returns the VVM measurement mode.

Query: [:SENSe] :VVM:MODE?

Syntax: [:SENSe] :VVM:MODE CW|TABLE

Cmd Parameter: <char> CW|TABLE

Query Response: <char> CW|TABL

Default Value: CW

Example: To set the mode to Table:

:SENSe:VVM:MODE TABLE

Front Panel

Access: CW: **Hard Key 1**

TABLE: **Hard Key 2**

Port

[:SENSe] :VVM:PORT 1|2

Description: Selects the VVM measurement port. The query format of the command returns the current VVM measurement port.

Query: [:SENSe] :VVM:PORT?

Syntax: [:SENSe] :VVM:PORT 1|2

Cmd Parameter: <char> 1|2

Query Response: <char> 1|2

Default Value: 1

Example: To set the Port to 2:

:SENSe:VVM:PORT 2

Front Panel

Access: **CW/Table**, Cal Port

Measurement Type

[:SENSe]:VVM:TYPE RETurn|INSertion

Description: Sets the VVM measurement type. The query format of the command returns the VVM measurement type.

Query: [:SENSe]:VVM:TYPE?

Syntax: [:SENSe]:VVM:TYPE RETurn|INSertion

Parameter: RETurn|INSertion

Cmd Parameter: <char> RETurn|INSertion

Query Response: <char> RET|INS

Default Value: RET

Example: To set the type to Insertion:

```
:SENSe:VVM:TYPE INSertion
```

Front Panel

Access: **CW/Table**, Measurement Type

4-8 [:SENSe]:VVM:CABLe Subsystem

This subsystem contains commands to select and query the VVM cable.

Cable

[:SENSe]:VVM:CABLe:SElect 1|2|3|4|5|6|7|8|9|10|11|12

Description: Selects the VVM cable. The query format of the command returns the current VVM cable number.

Query: [:SENSe]:VVM:CABLe:SElect?

Syntax: [:SENSe]:VVM:CABLe:SElect 1|2|3|4|5|6|7|8|9|10|11|12

Cmd Parameter: <char> 1|2|3|4|5|6|7|8|9|10|11|12

Query Response: <char> 1|2|3|4|5|6|7|8|9|10|11|12

Default Value: 1

Example: To set the Cable to 6:

```
:SENSe:VVM:CABLe:SElect 6
```

Front Panel

Access: **Table**, Select Cable

4-9 [:SENSe]:VVM:FREQuency Subsystem

This subsystem contains commands pertaining to the frequency settings of the Vector Voltmeter.

CW Frequency

[:SENSe]:VVM:FREQuency:CW <freq>

Description: Sets the VVM CW frequency. The query format of the command returns the CW frequency.

Query: [:SENSe]:VVM:FREQuency:CW?

Syntax: [:SENSe]:VVM:FREQuency:CW <freq>

Cmd Parameter: <NRf> <freq> (hertz)

Query Response: <NR3> <freq> (hertz)

Range: 5 kHz to 20 GHz for MS2028C, MS2038C
5 kHz to 15 GHz for MS2027C, MS2037C
5 kHz to 6 GHz for MS2026C, MS2036C

Default Value: 5000 Hz

Default Unit: Hz

Front Panel

Access: **CW/Table**, CW Frequency

4-10 [:SENSe]:VVM:REfERENCE Subsystem

This subsystem contains commands to set and clear the reference VVM data.

Clear Reference

[:SENSe]:VVM:REfERENCE:CLear

Description: No query. Clears the reference data for the current port and measurement type.

Syntax: [:SENSe]:VVM:REfERENCE:CLear

Cmd Parameter: **NA**

Default Value: No Reference

Example: To clear the Reference:

:SENSe:VVM:REfERENCE:CLear

Front Panel

Access: **CW/Table**, Clear Reference

Set Reference

[:SENSe]:VVM:REfERENCE:MEMorize

Description: No query. Sets the reference data for the current port and measurement type.

Syntax: [:SENSe]:VVM:REfERENCE:MEMorize

Cmd Parameter: **NA**

Default Value: No Reference

Example: To set the new Reference:

:SENSe:VVM:REfERENCE:MEMorize

Front Panel

Access: **CW/Table**, Save New Reference

4-11 :FETCh:VVM Subsystem

This subsystem contains commands to fetch the VVM reference data and relative data.

Table 4-6. :FETCh:VVM Subsystem Commands

Keyword	Parameter Data or Units
:FETCh	
:VVM	
:REFerence	Refer to “ FETCh:VVM:REFerence Subsystem ” on page 4-20

Data

:FETCh:VVM:DATA?

Description: Query only. Returns the most recent VVM measurement results. Data is returned as 2 or 4 comma-separated values depending upon the measurement type, measurement format, measurement mode, port, and the reference setting. A “-” is returned for any data that is not valid at that instance.

Table 4-7. VVM Measurement Results (Sheet 1 of 2)

If	Then	Data Values
If the measurement type is Insertion, and if the measurement mode is CW,	then data is returned as 4 comma-separated values	Amplitude Phase Reference Amplitude Reference Phase.
If the measurement type is Insertion, and if the measurement mode is CW with save new reference set,	then data is returned as 4 comma-separated values	Relative Amplitude Relative Phase Reference Amplitude Reference Phase.
If the measurement type is Return, and if the measurement mode is CW, and if format is set to dB,	then data is returned as 4 comma-delimited values	Amplitude Phase Reference Amplitude Reference Phase.
If the measurement type is Return, and if the measurement mode is CW with save new reference set, and if format is set to dB,	then data is returned as 4 comma-delimited values	Relative Amplitude Relative Phase Reference Amplitude Reference Phase.
If the measurement type is Return, and if format is set to VSWR,	then data is returned as 2 comma-delimited values	VSWR Reference VSWR.
If the measurement type is Return, and if the measurement mode is CW with save new reference set, and if format is set to VSWR,	then data is returned as 2 comma-delimited values	Relative VSWR Reference VSWR.
If the measurement type is Return, and if the measurement mode is CW, and if format is set to Impedance,	then data is returned as 4 comma-delimited values	Real Imaginary Reference Real Reference Imaginary.

Table 4-7. VVM Measurement Results (Sheet 2 of 2)

If	Then	Data Values
If the measurement type is Return, and if the measurement mode is CW with save new reference set, and if format is set to Impedance,	then data is returned as 4 comma-delimited values	Relative Real Relative Imaginary Reference Real Reference Imaginary.
If the measurement mode is Table with save new reference set,	then data is returned as 4 comma-separated values	Amplitude Phase Relative Amplitude Relative Phase.

Syntax: :FETCh:VVM:DATA?

Query Response: NA (comma separated values)

Example: To fetch the VVM data:

:FETCh:VVM:DATA?

Front Panel

Access: NA

4-12 FETCh:VVM:REFeRence Subsystem

This subsystem contains commands to fetch VVM reference data.

Reference Data

:FETCh:VVM:REFeRence:DATA?

Description: Query only. Returns the reference data depending upon the measurement type, the measurement format, and the current port.

Syntax: :FETCh:VVM:REFeRence:DATA?

Query Response: **NA** (comma separated values)

Example: To fetch the VVM reference data:

:FETCh:VVM:REFeRence:DATA?

Front Panel

Access: **NA**

Chapter 5 — Power Monitor Commands

5-1 Introduction

This chapter describes commands for Power Monitor mode. Only the commands that are listed in this chapter and in [Chapter 8, “All Mode Commands”](#) can be used in Power Monitor mode. Using commands from other modes may produce unexpected results.

Notational conventions are described in [Section 2-10 “Command and Query Notational Conventions”](#) on page 2-12.

5-2 Power Monitor Commands

Table 5-1. Power Monitor Commands Subsystems

Keyword	Parameter Data or Units
:TRACe	Refer to “:TRACe Power Monitor Subsystem” on page 5-2
:CALCulate	
PMONitor	Refer to “:CALCulate:PMONitor Subsystem” on page 5-5
:RELative	Refer to “:CALCulate:PMONitor:RELative Subsystem” on page 5-7
:ZERO	Refer to “:CALCulate:PMONitor:ZERO Subsystem” on page 5-8
:FETCh	
PMONitor	Refer to “:FETCh:PMONitor Subsystem” on page 5-9
:RELative	Refer to “:FETCh:PMONitor:RELative Subsystem” on page 5-10
:ZERO	Refer to “:FETCh:PMONitor:ZERO Subsystem” on page 5-11

5-3 :TRACe Power Monitor Subsystem

This subsystem contains commands pertaining to the Vector Voltmeter mode.

Trace Header Transfer

:TRACe:PREamble?

Description: Returns trace header information. The response begins with an ASCII header. The header specifies the number of following bytes. It appears in the format #AX, where A is the number of digits in X, and X is the number of bytes that follow the header.

Parameters are returned in comma-delimited ASCII format. Each parameter is returned as "NAME=VALUE [UNITS] ". Note that the parameters that are returned depend on the firmware version and that this document does not cover all parameter values that are returned by the command. Refer to [Table 5-2](#).

For the example response, the serial number (SN) is 83320013 and is returned as "SN=83320013". Refer to the following section, "[Example Response Format](#)".

Syntax: :TRACe:PREamble?

Cmd Parameter: NA (query only)

Query Response: <char> (returns block data)

Front Panel

Access: NA

Example Response Format:

```
[#800000414SN=83320013,UNIT_NAME=,TYPE=DATA,DATE=1999-11-30-02-00-01-42,APP_NAME=MWVNA,APP_VER=T0.00.1001,PM_RELATIVE=1.000000,PM_OFFSET=0.000000,PM_UPPER_THRESHOLD_STATE=0.000000,PM_LOWER_THRESHOLD_STATE=0.000000,PM_UPPER_THRESHOLD=0.000000,PM_LOWER_THRESHOLD=0.000000,PM_DBM_UNITS=0.000000,PM_ZERO=1.000000,PM_DBUNITS=0.000000,PM_DATA=-200000.000000,PM_STATUS=1.000000,PM_ZERO_DATA=-200000.000000,PM_REL_DATA=-200000.000000,]
```

Trace Header Parameters

Table 5-2 describes parameters that can be returned by the :TRACe:PREamble? command.

Table 5-2. Trace Header Parameters

Parameter Name	Description
SN	Instrument Serial #
UNIT_NAME	Instrument name
DATE	Trace date/time
APP_NAME	Application name
APP_VER	Application firmware (FW) version
PM_RELATIVE ^a	Relative State (Off/On), where 0 is On and 1 is Off
PM_OFFSET ^b	Offset value
PM_DBMUNITS	Specifies the unit (dBm or watts), when Relative is Off, where 0 is returned for “dBm”, and 1 for “watts”
PM_DBUNITS	Specifies the unit (dB or Percent), when Relative is On, where 0 is returned for “dB”, and 1 for “Percent”
PM_ZERO ^a	Zero State (Off/On), where 0 is On and 1 is Off
PM_DATA ^c	Power Monitor reading
PM_ZERO_DATA ^d	Zero data
PM_REL_DATA ^e	Reference data

- a. For both `PM_RELATIVE` and `PM_ZERO`, the `:TRACe:PREamble?` command returns 0 for On, and returns 1 for Off. This is not the same as the values that are returned from `:CALCulate:PMONitor:RELative[:STATe]?` and from `:CALCulate:PMONitor:ZERO[:STATe]?`, where 0 is returned for Off, and 1 is returned for On.
- b. The value that is returned by `PM_OFFSET` is in units of millidecibel (m dB). (For example: When “1” is returned, the measurement value is 1 m dB. When “2000” is returned, the measurement value is 2000 m dB, or 2 dB.)
- c. The value that is returned by `PM_DATA` is in the units that have been set with the Units command (`:CALCulate:PMONitor:UNITs DBM|WATT|DB|PERCENT`). If the set Unit is dBm or percent or dB, then the returned value is 1000 times the unit value. If the unit is watt, then the returned value is 10 times nW (in other words, the units are in 0.1 nanowatt (0.1 nw) increments). Examples:
 When the unit is in percent, and 1000 is returned, then the measurement value is 1 percent.
 When the unit is in dB, and –1000 is returned, then the measurement value is –1 dB.
 When the unit is in dBm, and –1000 is returned, then the measurement value is –1 dBm.
 When the unit is in dBm, and –4600 is returned, then the measurement value is –4.6 dBm.
 When the unit is in watts, and 1 is returned, then the measurement value is 0.1 nW.
 When the unit is in watts, and 3500000 is returned, then the measurement value is 350 µW.
- d. The value that is returned by `PM_ZERO_DATA` is in 0.1 nanowatt (0.1 nw) increments. (For example: When “1” is returned, then the measurement value is 0.1 nw. When “20” is returned, then the measurement value is 2.0 nw.)
- e. The value that is returned by `PM_REL_DATA` is 1000 times the unit value in dBm (in other words, the units are in 0.001 dBm increments, or 1 millidBm (m dBm) increments). Examples:
 When “1000” is returned, then the measurement value is 1 dBm.
 When “20000” is returned, then the measurement value is 20 dBm.)

5-4 :CALCulate Subsystem

This subsystem contains commands for the power monitor mode.

Table 5-3. :CALCulate Subsystem

Keyword	Parameter Data or Units
:CALCulate	
:PMONitor	Refer to “:CALCulate:PMONitor Subsystem” on page 5-5
:RELative	Refer to “:CALCulate:PMONitor:RELative Subsystem” on page 5-7
:ZERO	Refer to “:CALCulate:PMONitor:ZERO Subsystem” on page 5-8

5-5 :CALCulate:PMONitor Subsystem

This subsystem contains commands for the power monitor mode.

Table 5-4. :CALCulate:PMONitor Subsystem

Keyword	Parameter Data or Units
:CALCulate	
:PMONitor	
:RELative	Refer to “:CALCulate:PMONitor:RELative Subsystem” on page 5-7
:ZERO	Refer to “:CALCulate:PMONitor:ZERO Subsystem” on page 5-8

Offset

:CALCulate:PMONitor:OFFSet

Description: Sets the offset power level in millidecibels (m dB).

Syntax: :CALCulate:PMONitor:OFFSet <val>
:CALCulate:PMONitor:OFFSet?

Cmd Parameter: <NR1> <val> (0 to 60000 millidecibels)

Query Response: <NR1> <val> (0 to 60000 millidecibels)

Range: 0 to 60000 m dB

Default Value: 0 dB

Default Unit: millidecibels (m dB)

Example: To set the offset power level at 1 dB:

```
:CALCulate:PMONitor:OFFSet 1000
```

Front Panel

Access: **Measure** or **Shift-4** (Measure), Offset

Units

:CALCulate:PMONitor:UNITs

Description: Sets the units to a particular type depending upon whether the relative power level is turned ON or OFF.

Setting the value to DBM or to WATT when the relative power level is OFF sets the display units accordingly.

Setting the value to DBM or to WATT when the relative power level is ON **does not change** the display units. The change becomes effective after the relative power level is turned OFF.

Setting the value to DB or to PERC when the relative power level is ON sets the display units accordingly.

Setting the value to DB or to PERC when the relative power level is OFF **does not change** the display units. The change becomes effective after the relative power level is turned ON.

When the relative power level is OFF, the query version of the command returns DBM if the unit is dBm and returns WATT if the unit is watts.

When the relative power level is ON, it returns DB if the unit is dB and returns PERC if the unit is percentage.

Syntax: :CALCulate:PMONitor:UNITs DBM|WATT|DB|PERCent
:CALCulate:PMONitor:UNITs?

Cmd Parameter: <char> DBM|WATT|DB|PERCent

Query Response: <char> DBM|WATT|DB|PERC

Default Value: DBM

Default Unit: DBM, WATT, DB, PERCent when setting.

DBM, WATT, DB, PERC for query.

Example: To show the units in watts (if the relative power level is Off):

```
:CALCulate:PMONitor:UNITs WATT
```

To show the units in dB (if the relative power level is On):

```
:CALCulate:PMONitor:UNITs DB
```

Related Command: :CALCulate:PMONitor:RELative

Front Panel

Access: **Measure** or **Shift-4** (Measure), Units

5-6 :CALCulate:PMONitor:RELative Subsystem

This subsystem contains commands to turn the relative power level on and off.

Relative State

:CALCulate:PMONitor:RELative[:STATe]

Description: Enables/disables the Relative power level. Setting the value to ON or 1 turns on the relative power level. Setting the value to OFF or 0 turns off the relative power level. The query version of the command returns a 1 if the relative power level is ON and returns a 0 if the relative power level is OFF.

Syntax: :CALCulate:PMONitor:RELative[:STATe] OFF|ON|0|1
:CALCulate:PMONitor:RELative[:STATe]?

Cmd Parameter: <boolean> OFF|ON|0|1

Query Response: <bNR1> 0|1

Default Value: 0

Example: To turn Off the relative power:

```
:CALCulate:PMONitor:RELative:STATe OFF
:CALCulate:PMONitor:RELative 0
```

To turn On the relative power:

```
:CALCulate:PMONitor:RELative:STATe ON
:CALCulate:PMONitor:RELative 1
```

Front Panel

Access: **Measure** or **Shift-4** (Measure), Relative Power

5-7 :CALCulate:PMONitor:ZERO Subsystem

This subsystem contains commands to turn the zero power level on/off.

Zero State

:CALCulate:PMONitor:ZERO[:STATe]

Description: Enables and disables the Zero power level. Setting the value to ON or 1 turns On the Zero power level. Setting the value to OFF or 0 turns Off the Zero power level. The query version of the command returns a 1 if the Zero power level is ON and returns a 0 if the Zero power level is OFF.

Syntax: :CALCulate:PMONitor:ZERO[:STATe] OFF|ON|0|1
:CALCulate:PMONitor:ZERO[:STATe]?

Cmd Parameter: <boolean> OFF|ON|0|1

Query Response: <bNR1> 0|1

Default Value: 0

Example: To turn Off the Zero power:

```
:CALCulate:PMONitor:ZERO:STATe OFF  
:CALCulate:PMONitor:ZERO 0
```

To turn On the Zero power:

```
:CALCulate:PMONitor:ZERO:STATe ON  
:CALCulate:PMONitor:ZERO 1
```

Front Panel

Access: **Measure** or **Shift-4** (Measure), Zero

5-8 :FETCh:PMONitor Subsystem

This subsystem contains commands to fetch the power monitor reference power level data, zero power level data and the displayed power level data.

Table 5-5. :FETCh:PMONitor Subsystem

Keyword	Parameter Data or Units
:FETCh	
:PMONitor	
:RELative	Refer to “:FETCh:PMONitor:RELative Subsystem” on page 5-10
:ZERO	Refer to “:FETCh:PMONitor:ZERO Subsystem” on page 5-11

Displayed Data

:FETCh:PMONitor:DATA?

Title: Displayed Data

Description: Fetches the displayed power level data. The returned value is returned in the units that have been set with the Units command (:CALCulate:PMONitor:UNITs DBM|WATT|DB|PERCent).

If units are in dBm, then the returned value is in dBm.

If units are in percent, then the returned value is in percent.

If units are in dB, then the returned value is in dB.

If units are in watts, then the returned value is in 0.1 uW (0.1 microwatt) increments. For example:

Returned Value	Measurement Value
1	0.1 microwatt
10	1 microwatt
25000	2500 microwatts or 2.50 milliwatts
12000000	1200000 microwatts or 1.2000000 watts

Syntax: :FETCh:PMONitor:DATA?

Cmd Parameter: NA (query only)

Query Response: <NR3> (depends on set unit)

Example: To fetch the displayed power level data:

```
:FETCh:PMONitor:DATA?
```

Front Panel

Access: NA

5-9 :FETCh:PMONitor:RELative Subsystem

This subsystem contains commands to fetch the power monitor reference power level.

Reference Power Level

:FETCh:PMONitor:RELative:DATA?

Description: Fetches the reference power level data. The returned value is in dBm.

Syntax: :FETCh:PMONitor:RELative:DATA?

Cmd Parameter: **NA** (query only)

Query Response: <NR3> (units in dBm)

Example: To fetch the reference power level data:

:FETCh:PMONitor:RELative:DATA?

Front Panel

Access: **NA**

5-10 :FETCh:PMONitor:ZERO Subsystem

This subsystem contains commands to fetch the power monitor zero power level.

Zero Power Level

:FETCh:PMONitor:ZERO:DATA?

Description: Fetches the zero power level data in nanowatts. The returned value is in nW (nanowatts).

Syntax: :FETCh:PMONitor:ZERO:DATA?

Cmd Parameter: NA (query only)

Query Response: <NR3> (units in nW, where nW is nanowatts)

Example: To fetch the Zero power level data:

:FETCh:PMONitor:ZERO:DATA?

Front Panel

Access: NA

Chapter 6 — Spectrum Analyzer Commands

6-1 Introduction

This chapter describes commands for Spectrum Analyzer mode. Only the commands that are listed in this chapter and in [Chapter 8, “All Mode Commands”](#) can be used in Spectrum Analyzer mode. Using commands from other modes may produce unexpected results.

Notational conventions are described in [Section 2-10 “Command and Query Notational Conventions”](#) on page 2-12.

Spectrum Analyzer Commands

Table 6-1. SPA Commands Subsystems

Keyword	Parameter Data or Units
:ABORt	“:ABORt Subsystem” on page 6-2
:CALCulate	“:CALCulate Subsystem” on page 6-3
:CONFigure	“:CONFigure Subsystem” on page 6-29
:DISPlay	“:DISPlay Subsystem” on page 6-32
:FETCh	“:FETCh Subsystem” on page 6-34
:FORMat	“:FORMat Subsystem” on page 6-37
:INITiate	“:INITiate Subsystem” on page 6-39
:MEASure	“:MEASure Subsystem” on page 6-41
:MMEMory	“:MMEMory Subsystem” on page 6-46
:READ	“:READ Subsystem” on page 6-50
:SENSe	“[:SENSe] Subsystem” on page 6-68
:TRACe	“:TRACe Subsystem” on page 6-53
:TRIGger	“:TRIGger Subsystem” on page 6-65
:UNIT	“:UNIT Subsystem” on page 6-67
[:SENSe]	“[:SENSe] Subsystem” on page 6-68

6-2 :ABORt Subsystem

The abort subsystem includes commands that allow the user to stop current measurement activities on the instrument.

:ABORt

Description: Restarts the current sweep and/or measurement. Resets the trigger system. If :INITiate:CONTinuous is OFF (in other words, the instrument is in single sweep mode), then send the command :INITiate[:IMMediate] to trigger the next sweep. If :INITiate:CONTinuous is ON (in other words, the instrument is in continuous sweep mode), then a new sweep starts immediately.

Syntax: :ABORt

Parameter: NA

Query Response: NA (no query)

Related Command: :INITiate:CONTinuous
:INITiate[:IMMediate]

Front Panel

Access: NA

6-3 :CALCulate Subsystem

The commands in this subsystem process data that has been collected via the SENSE subsystem.

Limit Alarm

:CALCulate:LIMit:ALARm

Description: Enables or disables the currently active limit line alarm. Setting the value to ON or 1 turns on the limit alarm. Setting the value to OFF or 0 turns off the limit alarm. The query version of the command returns a 1 if the currently selected limit line alarm is set to ON and returns 0 if OFF. Use :CALCulate:LIMit:TYPE to set the currently active limit line.

Syntax: :CALCulate:LIMit:ALARm OFF|ON|0|1
:CALCulate:LIMit:ALARm?

Cmd Parameter: <boolean> OFF|ON|0|1

Query Response: <bNR1> 0|1

Default Value: OFF

Example: To turn off limit alarm:

```
:CALCulate:LIMit:ALARm OFF
:CALCulate:LIMit:ALARm 0
```

To turn on limit alarm:

```
:CALCulate:LIMit:ALARm ON
:CALCulate:LIMit:ALARm 1
```

Related Command: :CALCulate:LIMit:TYPE

Front Panel

Access: **Shift-6 (Limit)**, Limit Alarm

Move Limit to Current Center Frequency

:CALCulate:LIMit:CENTer

Description: Moves the center of the current active limit line to the center frequency.

Syntax: :CALCulate:LIMit:CENTer

Example: To move the limit to the current center:

```
:CALCulate:LIMit:CENTer
```

Front Panel

Access: **Shift-6 (Limit)**, Limit Move, Move Limit to Current Center Freq

Create Limit Envelope

:CALCulate:LIMit:ENVELOpe:CREate

Description: Creates a limit envelope. This generates a limit line that formed a mask just above or below the existing signals. Note that this command turns on the currently selected limit line if it is not already on. Use :CALCulate:LIMit:TYPE to set the currently active limit line.

Syntax: :CALCulate:LIMit:ENVELOpe:CREate

Example: To create a limit envelope:

```
:CALCulate:LIMit:ENVELOpe:CREate
```

Front Panel

Access: **Shift-6** (Limit), Limit Envelope, Create Envelope

Limit Envelope Offset

:CALCulate:LIMit:ENVELOpe:OFFSet

Description: Sets limit envelope offset. This defines how far away from the measured signal the active limit envelope is placed. Use :CALCulate:LIMit:TYPE to set the currently active limit line.

Parameter: <amplitude>

Syntax: :CALCulate:LIMit:ENVELOpe:OFFSet <amplitude>
:CALCulate:LIMit:ENVELOpe:OFFSet?

Cmd Parameter: <amplitude>

Query Response: <amplitude>

Range: -100 dB to +100 dB

Default Value: 3 dB for upper limit, -3 dB for lower limit

Default Unit: dB

Example: To set the limit envelope offset to 5 dB:

```
:CALCulate:LIMit:ENVELOpe:OFFSet 5
```

Front Panel

Access: **Shift-6** (Limit), Limit Envelope, Upper Offset (If Limit is toggled to Upper)

Shift-6 (Limit), Limit Envelope, Lower Offset (If Limit is toggled to Lower)

Number of Limit Envelope Points

:CALCulate:LIMit:ENVELOpe:POINT

Description: Sets the number of inflection point for the currently active limit envelope. Use :CALCulate:LIMit:TYPE to set the currently active limit line.

Parameter: <number>

Syntax: :CALCulate:LIMit:ENVELOpe:POINT <number>
:CALCulate:LIMit:ENVELOpe:POINT?

Range: 2 to 41

Default Value: 21

Example: To set the number of inflection point to 31:

```
:CALCulate:LIMit:ENVELOpe:POINT 31
```

Front Panel

Access: **Shift-6** (Limit), Limit Envelope, Upper Points (If Limit is toggled to Upper)

Shift-6 (Limit), Limit Envelope, Lower Points (If Limit is toggled to Lower)

Limit Envelope Shape

:CALCulate:LIMit:ENVELOpe:SHAPE

Description: Sets the currently active limit envelope shape.

Syntax: :CALCulate:LIMit:ENVELOpe:SHAPE SQUare|SLOPe
:CALCulate:LIMit:ENVELOpe:SHAPE?

Cmd Parameter: <char> SQUare|SLOPe

Query Response: <char> SQUare|SLOPe

Example: To set the limit envelope to a square:

```
:CALCulate:LIMit:ENVELOpe:SHAPE SQUare
```

Front Panel

Access: **Shift-6** (Limit), Limit Envelope, Upper Shape (If Limit is toggled to Upper) or Lower Shape (If Limit is toggled to Lower)

Update Limit Envelope Frequency

:CALCulate:LIMit:ENVELOpe:UPDate:X

Description: Updates limit envelope frequency. Note that this command is valid only if the limit envelope shape is set to a square. Use `:CALCulate:LIMit:TYPE` to set the currently active limit line.

Syntax: `:CALCulate:LIMit:ENVELOpe:UPDate:X`

Example: To adjust the envelope frequency:

`:CALCulate:LIMit:ENVELOpe:UPDate:X`

Front Panel

Access: NA

Update Limit Envelope Amplitude

:CALCulate:LIMit:ENVELOpe:UPDate:Y

Description: Updates the amplitude of the current limit without changing the frequencies of the inflection point. Use `:CALCulate:LIMit:TYPE` to set the currently active limit line.

Syntax: `:CALCulate:LIMit:ENVELOpe:UPDate:Y`

Example: To adjust the limit envelope amplitude:

`:CALCulate:LIMit:ENVELOpe:UPDate:Y`

Front Panel

Access: **Shift-6** (Limit), Limit Envelope, Update Envelope Amplitude

Limit Fail State

:CALCulate:LIMit:FAIL?

Description: Query whether the currently active limit line (upper or lower) has failed or not. The command returns a 0 on success, 1 on fail, and 2 if the current active limit is OFF or the alarm is OFF. Use `:CALCulate:LIMit:TYPE` to set the currently active limit line.

Syntax: `:CALCulate:LIMit:FAIL?`

Front Panel

Access: NA

Lower Limit Alarm

:CALCulate:LIMit:LOWer:ALARm

Description: Enables/disables the lower limit alarm. It is a combination of the commands :CALCulate:LIMit:TYPE 1 and :CALCulate:LIMit:ALARm ON|OFF. Setting the value to ON or 1 turns on the lower limit alarm. Setting the value to OFF or 0 turns off the lower limit alarm. The query version of the command returns a 1 if the lower limit line alarm is ON and returns 0 if OFF. Note that using this command sets the lower limit line to be active for editing.

Syntax: :CALCulate:LIMit:LOWer:ALARm OFF|ON|0|1
:CALCulate:LIMit:LOWer:ALARm?

Cmd Parameter: <boolean> OFF|ON|0|1

Query Response: <bNR1> 0|1

Default Value: OFF

Related Command: :CALCulate:LIMit:ALARm

Front Panel

Access: **Shift-6** (Limit), Limit Alarm

Lower Limit Fail State

:CALCulate:LIMit:LOWer:FAIL?

Description: Query whether the lower limit line has failed or not. The command returns a 0 on success, returns a 1 on fail, and returns a 2 if the lower limit line is OFF or if the alarm is OFF.

Syntax: :CALCulate:LIMit:LOWer:FAIL?

Front Panel

Access: NA

Number of Lower Limit Points

:CALCulate:LIMit:LOWer:POINT?

Description: Returns the number of points currently in the lower limit line.

Syntax: :CALCulate:LIMit:LOWer:POINT?

Default Value: 2

Related Command: :CALCulate:LIMit:POINT?

Front Panel

Access: NA

Lower Limit State

:CALCulate:LIMit:LOWer[:STATe]

Description: Turns the lower limit line ON or OFF. It is a combination of the commands :CALCulate:LIMit:TYPE 1 and :CALCulate:LIMit:STATe ON|OFF. The query version of the command returns a 1 if the lower limit line is ON and returns a 0 if OFF.

Syntax: :CALCulate:LIMit:LOWer[:STATe] OFF|ON|0|1
:CALCulate:LIMit:LOWer[:STATe]?

Cmd Parameter: <boolean> OFF|ON|0|1

Query Response: <bNR1> 0|1

Default Value: OFF

Example: To turn on lower limit:

```
:CALCulate:LIMit:LOWer ON
:CALCulate:LIMit:LOWer 1
:CALCulate:LIMit:LOWer:STATe ON
```

To turn off lower limit:

```
:CALCulate:LIMit:LOWer OFF
:CALCulate:LIMit:LOWer 0
:CALCulate:LIMit:LOWer:STATe 0
```

Related Command: :CALCulate:LIMit:ALARm

Front Panel

Access: **Shift-6** (Limit), On/Off

Limit Line Type

:CALCulate:LIMit:LTYPe

Description: Sets the currently active limit line type. Absolute limit lines set the limit inflection points based upon the entered frequencies for each point. Relative limit lines set the limit inflection points relative to the current center frequency.

Syntax: :CALCulate:LIMit:LTYPe ABSolute|RELative
:CALCulate:LIMit:LTYPe?

Cmd Parameter: <char> ABSolute|RELative

Query Response: <char> ABS|REL

Range: ABSolute|RELative

Default Value: ABSolute

Example: To set the limit line type to relative:

```
:CALCulate:LIMit:LTYPe RELative
```

Related Command: :CALCulate:LIMit[:STATe]

Front Panel

Access: **Shift-6** (Limit), Limit Advanced, Limit Line Type

Limit Mirror

:CALCulate:LIMit:MIRRor

Description: Creates a limit mirror. Use :CALCulate:LIMit:TYPe to set the currently active limit line.

Syntax: :CALCulate:LIMit:MIRRor

Related Command: :CALCulate:LIMit:TYPe

Front Panel

Access: **Shift-6** (Limit), Limit Advanced, Limit Mirror

Add Limit Point

:CALCulate:LIMit:POINT:ADD

Description: Adds a new limit point to the currently active limit line. Use :CALCulate:LIMit:TYPe to set the currently active limit line.

Syntax: :CALCulate:LIMit:POINT:ADD

Related Command: :CALCulate:LIMit:TYPe

Front Panel

Access: **Shift-6** (Limit), Limit Edit, Add Point

Delete Limit Point

:CALCulate:LIMit:POINT:DElete

Description: Deletes the currently active limit point. The active point becomes the point that is immediately to the left of the point that was deleted. Note that deletion is only valid if there are more than 2 limit points. Use :CALCulate:LIMit:TYPE to set the currently active limit line.

Syntax: :CALCulate:LIMit:POINT:DElete

Example: To delete the currently active limit point:

:CALCulate:LIMit:POINT:DElete

Front Panel

Access: **Shift-6** (Limit), Limit Edit, Delete Point

Next Point Left

:CALCulate:LIMit:POINT:LEFT

Description: Selects the limit point immediately to the left of the active point, making it active for editing or deleting. Use :CALCulate:LIMit:TYPE to set the currently active limit line.

Syntax: :CALCulate:LIMit:POINT:LEFT

Example: To select the point to the left of the active point:

:CALCulate:LIMit:POINT:LEFT

Front Panel

Access: **Shift-6** (Limit), Limit Edit, Next Point Left

Next Point Right

:CALCulate:LIMit:POINT:RIGHT

Description: Selects the limit point immediately to the right of the active point, making it active for editing or deleting. Use :CALCulate:LIMit:TYPE to set the currently active limit line.

Syntax: :CALCulate:LIMit:POINT:RIGHT

Example: To select the point to the right of the active point:

:CALCulate:LIMit:POINT:RIGHT

Front Panel

Access: **Shift-6** (Limit), Limit Edit, Next Point Right

Limit Point X Value

:CALCulate:LIMit:POINT:X

Description: Sets the location of the active limit point on the x-axis at the specified location. <x-parameter> is defined in the current x-axis. Note that this changes the Move Limit on the front panel to Point if it is currently set to Limit. The query version of the command returns the location of the active limit point on the x-axis. Use :CALCulate:LIMit:TYPE to set the currently active limit line.

Syntax: :CALCulate:LIMit:POINT:X <x-parameter>
:CALCulate:LIMit:POINT:X?

Cmd Parameter: <x-parameter>

Query Response: <x-parameter>

Default Unit: Current x-axis unit.

Example: To set the active point to 5 Hertz:

```
:CALCulate:LIMit:POINT:X 5  
:CALCulate:LIMit:POINT:X 5Hz
```

To set the active point to 500 MHz:

```
:CALCulate:LIMit:POINT:X 500MHz
```

To set the active point to 2.5 seconds (In zero span):

```
:CALCulate:LIMit:POINT:X 2.5  
:CALCulate:LIMit:POINT:X 2.5s
```

To set the active point to 25 microseconds (In zero span):

```
:CALCulate:LIMit:POINT:X 25µs
```

Related Command: :CALCulate:LIMit:TYPE

Front Panel

Access: **Shift-6** (Limit), Limit Edit, Frequency

Limit Point Y Value

:CALCulate:LIMit:POINt:Y

Description: Sets the location of the active limit point on the y-axis at the specified location. <y-parameter> is defined in the current y-axis. Note that this changes the Move Limit on the front panel to Point if it is currently set to Limit. The query version of the command returns the location of the active limit point on the y-axis. Use :CALCulate:LIMit:TYPE to set the currently active limit line.

Syntax: :CALCulate:LIMit:POINt:Y <y-parameter>
:CALCulate:LIMit:POINt:Y?

Cmd Parameter: <y-parameter>

Query Response: <y-parameter>

Default Unit: Current y-axis unit.

Example: To set the active point to 5 dBm:

```
:CALCulate:LIMit:POINt:Y 5
```

(If y-axis unit is dBm)

```
:CALCulate:LIMit:POINt:Y 5dBm
```

Front Panel

Access: **Shift-6** (Limit), Limit Edit, Amplitude

Number of Limit Points

:CALCulate:LIMit:POINt?

Description: Returns the number of points currently in the selected limit line. Use :CALCulate:LIMit:TYPE to set the currently active limit line.

Syntax: :CALCulate:LIMit:POINt?

Related Command: :CALCulate:LIMit:TYPE

Front Panel

Access: **NA**

Set Limit Line Upper or Lower

:CALCulate:LIMit:TYPE

Description: Sets the currently active limit line to either upper or lower. Subsequent limit line operations are performed on the selected limit line.

Syntax: :CALCulate:LIMit:TYPE 0|1
:CALCulate:LIMit:TYPE?

Cmd Parameter: <number>
0|1 (0 = upper limit line, 1 = lower limit line)

Query Response: <number>
0|1 (0 = upper limit line, 1 = lower limit line)

Range: 0|1

Default Value: 0 (upper)

Example: To set the active limit line to upper:
:CALCulate:LIMit:TYPE 0

Related Command: None

Front Panel

Access: **Shift-6** (Limit), Limit

Upper Limit Alarm

:CALCulate:LIMit:UPPer:ALARm

Description: Enables/disables the alarm for the upper limit. It is a combination of the commands :CALCulate:LIMit:TYPE 0 and :CALCulate:LIMit:ALARm ON|OFF. Setting the value to ON or 1 turns on the upper limit alarm. Setting the value to OFF or 0 turns off the upper limit alarm. The query version of the command returns a 1 if the upper limit line alarm is ON and returns 0 if OFF.

Syntax: :CALCulate:LIMit:UPPer:ALARm OFF|ON|0|1
:CALCulate:LIMit:UPPer:ALARm?

Cmd Parameter: <boolean> OFF|ON|0|1

Query Response: <bNR1> 0|1

Default Value: OFF

Related Command: :CALCulate:LIMit:ALARm

Front Panel

Access: **Shift-6** (Limit), Limit Alarm

Upper Limit Fail State

:CALCulate:LIMit:UPPer:FAIL?

Description: Query whether the upper limit line has failed or not. The command returns a 0 on success, returns a 1 on fail, and returns a 2 if the upper limit line is OFF or the alarm is OFF.

Syntax: :CALCulate:LIMit:UPPer:FAIL?

Front Panel

Access: NA

Number of Upper Limit Points

:CALCulate:LIMit:UPPer:POINT?

Description: Returns the number of points currently in the upper limit line.

Syntax: :CALCulate:LIMit:UPPer:POINT?

Default Value: 2

Related Command: :CALCulate:LIMit:POINT?

Front Panel

Access: NA

Upper Limit State

:CALCulate:LIMit:UPPer[:STATe]

Description: Turns the upper limit line ON or OFF. It is a combination of the commands :CALCulate:LIMit:TYPE 0 and :CALCulate:LIMit:STATe ON|OFF. The query version of the command returns a 1 if the upper limit line is ON and returns a 0 if OFF.

Syntax: :CALCulate:LIMit:UPPer[:STATe] OFF|ON|0|1

:CALCulate:LIMit:UPPer[:STATe]?

Cmd Parameter: <boolean> OFF|ON|0|1

Query Response: <boolean> 0|1

Default Value: OFF

Example: To turn on upper limit:

```
:CALCulate:LIMit:UPPer ON
```

```
:CALCulate:LIMit:UPPer 1
```

```
:CALCulate:LIMit:UPPer:STATe ON
```

To turn off upper limit:

```
:CALCulate:LIMit:UPPer OFF
:CALCulate:LIMit:UPPer 0
:CALCulate:LIMit:UPPer:STATe 0
```

Related Command: :CALCulate:LIMit[:STATe]

Front Panel

Access: **Shift-6** (Limit), On/Off

Move Limit

:CALCulate:LIMit:VALue

Description: Sets the currently active limit line value. This command moves an entire single or multi-segment limit line up or down by the given <value>. This command is equivalent to the command :CALCulate:LIMit:Y. Use :CALCulate:LIMit:TYPE to set the currently active limit line.

Note that this changes the Move Limit on the front panel to Limit if it is currently set to Point.

Syntax: :CALCulate:LIMit:VALue <value>

Cmd Parameter: <value>

Query Response: <value>

Default Unit: Current y-axis unit.

Related Command: :CALCulate:LIMit:Y
:CALCulate:LIMit:TYPE

Front Panel

Access: **Shift-6** (Limit), Limit Edit, Amplitude

Add Vertical

:CALCulate:LIMit:VERTical:ADD

Description: Adds vertical. This adds two inflection points that share the same frequency and that are centered midpoint between adjacent points. Use :CALCulate:LIMit:TYPE to set the currently active limit line.

Syntax: :CALCulate:LIMit:VERTical:ADD

Related Command: :CALCulate:LIMit:TYPE

Front Panel

Access: **Shift-6** (Limit), Limit Edit, Add Vertical

Limit X Value

:CALCulate:LIMit:X

Description: Sets the location of the active limit line on the x-axis at the specified location. This moves the entire limit and moves the active limit point to the given value. <x-parameter> is defined in the current x-axis. Note that this changes the Move Limit on the front panel to Limit if it is currently set to Point. Use :CALCulate:LIMit:TYPE to set the currently active limit line.

Syntax: :CALCulate:LIMit:X <x-parameter>

Cmd Parameter: <x-parameter>

Query Response: <x-parameter>

Default Unit: Hz or for zero span in seconds

Example: To move the limit and set active point to 5 Hz:

```
:CALCulate:LIMit:X 5  
:CALCulate:LIMit:X 5Hz
```

To move the limit and set active point to 500 MHz:

```
:CALCulate:LIMit:X 500MHz
```

To move the limit and set active point to 2.5 seconds (In zero span):

```
:CALCulate:LIMit:X 2.5  
:CALCulate:LIMit:X 2.5s
```

To move the limit and set active point to 25 microseconds (In zero span):

```
:CALCulate:LIMit:X 25us
```

Front Panel

Access: **Shift-6** (Limit), Limit Edit, Frequency

Limit Line Y Value

:CALCulate:LIMit:Y

Description: Sets the location of the active limit line on the y-axis at the specified location. This moves the entire limit and moves the current active limit point by the given value. <y-parameter> is defined in the current y-axis. Note that this changes the Move Limit on the front panel to Limit if it is currently set to Point. Use :CALCulate:LIMit:TYPE to set the currently active limit line.

Syntax: :CALCulate:LIMit:Y <y-parameter>

Cmd Parameter: <y-parameter>

Query Response: <y-parameter>

Default Unit: Current y-axis unit.

Example: To move limit and set the active point to 5 dbm:

```
:CALCulate:LIMit:Y 5
```

(If y-axis unit is dBm)

```
:CALCulate:LIMit:Y 5dBm
```

Front Panel

Access: **Shift-6** (Limit), Limit Edit, Amplitude

Set Default Limit

:CALCulate:LIMit[:SET]:DEFAULT

Description: Deletes all limit points for the currently active limit line and sets the default limit line value. Note that this command turns on the currently selected limit line if it is not already on. The current selected limit line can be modified by using the command :CALCulate:LIMit:TYPE.

Syntax: :CALCulate:LIMit[:SET]:DEFAULT

Front Panel

Access: **Shift-6** (Limit), Set Default Limit

Limit State

:CALCulate:LIMit[:STATe]

Description: Turns the currently selected limit line (upper or lower) ON or OFF. If the value is set to ON or 1, then the currently selected limit line is ON. If the value is set to OFF or 0, then the currently selected limit line is OFF. The query version of the command returns a 1 if the currently selected limit line is ON and returns a 0 if OFF. Use :CALCulate:LIMit:TYPe to set the currently active limit line.

Syntax: :CALCulate:LIMit[:STATe] OFF|ON|0|1
:CALCulate:LIMit[:STATe]?

Cmd Parameter: <boolean> OFF|ON|0|1

Query Response: <bNR1> 0|1

Default Value: OFF

Example: To turn on the currently selected limit line:

```
:CALCulate:LIMit ON
:CALCulate:LIMit:STATe ON
:CALCulate:LIMit:STATe 1
```

To turn off the currently selected limit line:

```
:CALCulate:LIMit OFF
:CALCulate:LIMit:STATe 0
:CALCulate:LIMit 0
```

Front Panel

Access: **Shift-6** (Limit), On/Off

Turn All Markers Off

:CALCulate:MARKer:AOFF

Description: Turns off all markers.

Syntax: :CALCulate:MARKer:AOFF

Front Panel

Access: **Marker**, More, All Markers Off

Peak Threshold

:CALCulate:MARKer:PEAK:THReshold

Description: Sets the peak/valley threshold as a percentage of the display.
:CALCulate:MARKer:MAXimum:LEFT and
:CALCulate:MARKer:MAXimum:RIGHT use this value to determine whether a particular display point qualifies as a peak.

Syntax: :CALCulate:MARKer:PEAK:THReshold <percentage>
:CALCulate:MARKer:PEAK:THReshold?

Cmd Parameter: <percentage>

Query Response: <percentage>

Range: 0% to 100%

Default Value: 10

Default Unit: %

Front Panel

Access: **Marker**, More Peak Options, Peak Threshold

Marker Data

:CALCulate:MARKer:TABLE:DATA?

Description: Returns the marker table contents.

Syntax: :CALCulate:MARKer:TABLE:DATA?

Cmd Parameter: **NA** (query only)

Query Response: **NA**

Front Panel

Access: **Marker**, More, Marker Table On

Marker Table State

:CALCulate:MARKer:TABLE[:STATe]

Description: Turns the Marker Table on or off. Setting the value to ON or 1 turns on the marker table. Setting the value to OFF or 0 turns off the marker table.

Note: This command cannot set the Marker Table to **Large**. The query, however, returns a "1" if Marker Table is toggled to On or Large.

Syntax: :CALCulate:MARKer:TABLE[:STATe] OFF|ON|0|1
:CALCulate:MARKer:TABLE[:STATe]?

Cmd Parameter: <boolean> OFF|ON|0|1

Query Response: <bNR1> 0|1

Default Value: OFF

Example: To turn on marker table:

```
:CALCulate:MARKer:TABLE ON  
:CALCulate:MARKer:TABLE 1
```

Front Panel

Access: **Marker**, More, Marker Table

Marker Noise

:CALCulate:MARKer{1|2|3|4|5|6}:DELTA:NOISE[:STATE]

Description: Turns the delta marker noise on or off. Note that if counter marker is set to on when setting marker noise to on, then counter marker is set to off. This command is not valid in zero span. The query version of this command returns a 1 if the specified delta marker is noise marker and returns a 0 if not.

Syntax: :CALCulate:MARKer{1|2|3|4|5|6}:DELTA:NOISE[:STATE]
 OFF|ON|0|1
 :CALCulate:MARKer{1|2|3|4|5|6}:DELTA:NOISE[:STATE]?

Cmd Parameter: <boolean> OFF|ON|0|1

Query Response: <bNR1> 0|1

Default Value: OFF

Example: To turn on marker noise for delta marker #1:

```
:CALCulate:MARKer1:DELTA:NOISE ON
:CALCulate:MARKer1:DELTA:NOISE 1
:CALCulate:MARKer:DELTA:NOISE 1
:CALCulate:MARKer:DELTA:NOISE:STATE ON
```

To turn on marker noise for delta marker #2:

```
:CALCulate:MARKer2:DELTA:NOISE ON
:CALCulate:MARKer2:DELTA:NOISE 1
:CALCulate:MARKer2:DELTA:NOISE:STATE ON
```

To turn off marker noise #5:

```
:CALCulate:MARKer5:DELTA:NOISE OFF
:CALCulate:MARKer5:DELTA:NOISE 0
:CALCulate:MARKer5:DELTA:NOISE:STATE OFF
```

Front Panel

Access: **Marker**, More, Marker Noise

Delta Marker X Value

:CALCulate:MARKer{1|2|3|4|5|6}:DELTA:X

Description: Sets the location of the delta marker on the x-axis at the specified offset location, <x-parameter>, which is the offset value from the reference marker position on the x-axis. <x-parameter> is defined in the current x-axis units. The query version of the command returns the location of the delta marker on the x-axis.

Syntax: :CALCulate:MARKer{1|2|3|4|5|6}:DELTA:X <x-parameter>
:CALCulate:MARKer{1|2|3|4|5|6}:DELTA:X?

Cmd Parameter: <x-parameter>

Query Response: <x-parameter>

Default Unit: Hz or seconds if in zero span

Example: If both the reference marker and delta marker #1 are currently at 2 GHz on the x-axis, send the command below to set the delta marker #1 to 3 GHz on the x-axis (1 GHz offset from the reference marker):

```
:CALCulate:MARKer1:DELTA:X 1GHz
```

In zero span, if both the reference marker and delta marker #1 are currently at 35 microseconds on the x-axis, then send the following command to set the delta marker to 60 μ s on the x-axis (25 μ s offset from the reference marker):

```
:CALCulate:MARKer1:DELTA:X 25 $\mu$ s
```

Related Command: :CALCulate:MARKer[1|2|3|4|5|6]:X

Front Panel

Access: **Marker, Delta**

Delta Marker Read Y Value

:CALCulate:MARKer{1|2|3|4|5|6}:DELTA:Y?

Description: Reads the current Y value for the specified delta marker. The units are the units of the y-axis.

Syntax: :CALCulate:MARKer{1|2|3|4|5|6}:DELTA:Y?

Default Unit: Current y-axis unit

Front Panel

Access: **NA**

Delta Marker to Span

:CALCulate:MARKer{1|2|3|4|5|6}:DELTA[:SET]:SPAN

Description: Sets the total span width to the value of the specified delta marker. Note that this command is valid only if delta marker is on.

Syntax: :CALCulate:MARKer{1|2|3|4|5|6}:DELTA[:SET]:SPAN

Example: To set the span to the value of delta marker #4:

```
:CALCulate:MARKer4:DELTA:SPAN
```

Front Panel

Access: **Marker**, More Peak Options, Delta Marker to Span

Delta Marker State

:CALCulate:MARKer{1|2|3|4|5|6}:DELTA[:STATE]

Description: Sets the specified delta marker on or off.

Syntax: :CALCulate:MARKer{1|2|3|4|5|6}:DELTA[:STATE] OFF|ON|0|1
:CALCulate:MARKer{1|2|3|4|5|6}:DELTA[:STATE]?

Cmd Parameter: <boolean> OFF|ON|0|1

Query Response: <bNR1> 0|1

Default Value: OFF

Example: To turn on delta marker #3:

```
:CALCulate:MARKer3:DELTA ON
:CALCulate:MARKer3:DELTA 1
:CALCulate:MARKer3:DELTA:STATE ON
:CALCulate:MARKer3:DELTA:STATE 1
```

To turn off delta marker #6

```
:CALCulate:MARKer6:DELTA OFF
:CALCulate:MARKer6:DELTA:STATE OFF
:CALCulate:MARKer6:DELTA:STATE 0
```

Front Panel

Access: **Marker**, Delta

Marker Counter

:CALCulate:MARKer{1|2|3|4|5|6}:FCOUNT[:STATE]

Description: Turns the marker frequency counter on or off. The marker counter is turned off when the selected marker is turned off. If delta marker is on when setting marker counter to on, then delta marker is turned off. If noise marker is set to on when setting marker counter to on, then noise marker is set to off. This command is not valid in zero span.

Syntax: :CALCulate:MARKer{1|2|3|4|5|6}:FCOUNT[:STATE]
OFF|ON|0|1
:CALCulate:MARKer{1|2|3|4|5|6}:FCOUNT[:STATE]?

Cmd Parameter: <boolean> OFF|ON|0|1

Query Response: <bNR1> 0|1

Default Value: OFF

Example: To turn on frequency counter for reference marker #2:

```
:CALCulate:MARKer2:FCOUNT ON
:CALCulate:MARKer2:FCOUNT 1
```

Front Panel

Access: **Marker**, More, Counter Marker

Marker Fixed State

:CALCulate:MARKer{1|2|3|4|5|6}:FIXed[:STATE]

Description: Sets the specified reference marker fixed state on or off. If Fixed is set to on, then the selected reference markers stay at the currently-set amplitude when the marker is set to Fixed.

Syntax: :CALCulate:MARKer{1|2|3|4|5|6}:FIXed[:STATE] OFF|ON|0|1
:CALCulate:MARKer{1|2|3|4|5|6}:FIXed[:STATE]?

Cmd Parameter: <boolean> OFF|ON|0|1

Query Response: <bNR1> 0|1

Default Value: OFF

Example: To set reference marker #1 to fixed:

```
:CALCulate:MARKer:FIXed ON
:CALCulate:MARKer:FIXed 1
```

Front Panel

Access: **Marker**, More, Marker Style (Fixed)

Marker (Maximum) Peak Search

:CALCulate:MARKer{1|2|3|4|5|6}:MAXimum

Description: Puts the specified marker at the maximum amplitude in the trace.

Syntax: :CALCulate:MARKer{1|2|3|4|5|6}:MAXimum

Front Panel

Access: **Marker**, Marker [1/2/3/4/5/6], Peak Search

Marker, Marker [1/2/3/4/5/6], More Peak Options, Peak Search

Marker (Maximum) Peak Search Left

:CALCulate:MARKer{1|2|3|4|5|6}:MAXimum:LEFT

Description: Puts the specified marker on the next highest peak to the left of the current peak. The next highest peak must be above the peak threshold. If no point meets that criterion, the marker is set to the first point on the trace.

Syntax: :CALCulate:MARKer{1|2|3|4|5|6}:MAXimum:LEFT

Related Command: :CALCulate:MARKer:PEAK:THReshold

Front Panel

Access: **Marker**, More Peak Options, Next Peak Left

Marker (Maximum) Peak Search Next

:CALCulate:MARKer{1|2|3|4|5|6}:MAXimum:NEXT

Description: Moves the marker to the highest peak anywhere in the trace which is lower than the current marker. If the given marker is not on, the command turns it on and sets it to the second highest peak in the trace. The command uses the existing peak threshold values to determine what is a peak and what is not.

Syntax: :CALCulate:MARKer{1|2|3|4|5|6}:MAXimum:NEXT

Related Command: :CALCulate:MARKer:PEAK:THReshold

Front Panel

Access: None

Marker (Maximum) Peak Search Right

:CALCulate:MARKer{1|2|3|4|5|6}:MAXimum:RIGHT

Description: Puts the specified marker on the next highest peak to the right of the current peak. The next highest peak must be above the peak threshold. If no point meets that criterion, the marker is set to the last point on the trace.

Syntax: :CALCulate:MARKer{1|2|3|4|5|6}:MAXimum:RIGHT

Related Command: :CALCulate:MARKer:PEAK:THReshold

Front Panel

Access: **Marker**, More Peak Options, Next Peak Right

Marker Noise

:CALCulate:MARKer{1|2|3|4|5|6}:NOISE[:STATE]

Description: Turns the marker noise on or off for the specified reference marker. Note that if counter marker is set to on when setting marker noise to on, then counter marker is set to off. This command is not valid in zero span.

Syntax: :CALCulate:MARKer{1|2|3|4|5|6}:NOISE[:STATE] OFF|ON|0|1
:CALCulate:MARKer{1|2|3|4|5|6}:NOISE[:STATE]?

Cmd Parameter: <boolean> OFF|ON|0|1

Query Response: <bNR1> 0|1

Default Value: OFF

Example: To set reference marker #3 as noise marker:

```
:CALCulate:MARKer3:NOISE ON
:CALCulate:MARKer3:NOISE 1
```

Front Panel

Access: **Marker**, More, Marker Noise

Marker X Value

:CALCulate:MARKer{1|2|3|4|5|6}:X

Description: Sets the location of the marker on the x-axis at the specified location. <x-parameter> is defined in the current x-axis units. The query version of the command returns the location of the marker on the x-axis. Note that the marker is snapped to the data point closest to the specified value. If the specified marker is not on, then it is set to on.

Syntax: :CALCulate:MARKer{1|2|3|4|5|6}:X <x-parameter>
:CALCulate:MARKer{1|2|3|4|5|6}:X?

Cmd Parameter: <x-parameter>

Query Response: <x-parameter>

Default Unit: Hz or seconds if in zero span

Example: To set reference marker #2 to 5 hertz on the x-axis:

```
:CALCulate:MARKer2:X 5
:CALCulate:MARKer2:X 5Hz
```

To set reference marker #1 to 1.5 GHz on the x-axis:

```
:CALCulate:MARKer:X 1.5GHz
:CALCulate:MARKer1:X 1.5GHz
```

(In zero span) To set reference marker #3 to 1.5 seconds on the x-axis:

```
:CALCulate:MARKer3:X 1.5
:CALCulate:MARKer3:X 1.5s
```

(In zero span) To set reference marker #1 to 25 microseconds:

```
:CALCulate:MARKer:X 25µs
:CALCulate:MARKer1:X 25µs
```

Front Panel

Access: **Marker**, Marker [1/2/3/4/5/6]

Marker Read Y Value

:CALCulate:MARKer{1|2|3|4|5|6}:Y?

Description: Reads the current Y value for the specified marker. The units are the units of the y-axis.

Syntax: :CALCulate:MARKer{1|2|3|4|5|6}:Y?

Cmd Parameter: NA (query only)

Default Unit: Current y-axis unit

Front Panel

Access: NA

Marker Frequency to Center

:CALCulate:MARKer{1|2|3|4|5|6}[:SET]:CENTer

Description: Sets the center frequency equal to the frequency of the specified marker. Note that this results in a change to the start and stop frequencies and may also result in a change to the span. Note that this command is not valid in zero span.

Syntax: :CALCulate:MARKer{1|2|3|4|5|6}[:SET]:CENTer

Front Panel

Access: **Marker**, Marker Freq to Center

Marker to Reference Level

:CALCulate:MARKer{1|2|3|4|5|6}[:SET]:RLEVel

Description: Sets the reference level equal to the measured amplitude of the specified marker. Note that this may result in a change to the input attenuation.

Syntax: :CALCulate:MARKer{1|2|3|4|5|6}[:SET]:RLEVel

Front Panel

Access: **Marker**, Marker to Ref Lvl

Marker State

:CALCulate:MARKer{1|2|3|4|5|6}[:STATe]

Description: Sets the specified marker on/off.

Syntax: :CALCulate:MARKer{1|2|3|4|5|6}[:STATe] OFF|ON|0|1
:CALCulate:MARKer{1|2|3|4|5|6}[:STATe]?

Cmd Parameter: <boolean> OFF|ON|0|1

Query Response: <bNR1> 0|1

Default Value: OFF

Example: To turn off reference marker #1:

```
:CALCulate:MARKer1:STATe OFF
```

Front Panel

Access: **Marker**, On/Off

6-4 :CONFigure Subsystem

This set of commands prepares the instrument for the selected measurement. It disables any currently-enabled measurements and activates the specified measurement. It sets the instrument to single sweep mode, waiting for an :INITiate command. It does not initiate the taking of a measurement.

Current instrument settings may be changed to default values. These changes are identified with their respective measurement commands.

Configure Adjacent Channel Power Ratio

:CONFigure:ACPower

Description: Configures the default adjacent channel power ratio measurement. Disables any other active one-button measurements, including channel power, occupied bandwidth, AM/FM demodulation and C/I. Sets the main channel bandwidth equal to the span. Sets the adjacent channel bandwidth and channel spacing equal to the main channel bandwidth. Sets the detection method to RMS. Sets the instrument to single sweep mode (:INITiate:CONTinuous OFF). Measurement settings can be modified by using the [:SENSe]:ACPower commands before initiating a sweep.

Syntax: :CONFigure:ACPower

Related Command: [:SENSe]:ACPower:STATE
[:SENSe]:ACPower:BANDwidth|BWIDTH:MAIN
[:SENSe]:ACPower:BANDwidth|BWIDTH:ADJacent
[:SENSe]:ACPower:BANDwidth|BWIDTH:SPACing

Front Panel

Access: NA

Configure Channel Power

:CONFigure:CHPower

Description: Configures the default channel power measurement. Disables any other active one-button measurements, including ACPR, occupied bandwidth, AM/FM demodulation, and C/I. Sets the integration bandwidth equal to the span. Sets the detection method to RMS. Sets the instrument to single sweep mode (:INITiate:CONTinuous OFF). Measurement settings can be modified by using the [:SENSe]:CHPower commands before initiating a sweep. Note that this measurement is not valid in zero span.

Syntax: :CONFigure:CHPower

Related Command: [:SENSe]:CHPower:STATe
[:SENSe]:CHPower:BANDwidth|BWIDth:INTegration

Front Panel

Access: NA

Configure Field Strength

:CONFigure:FSTrength

Description: Configures the default field strength measurement. Disables any other active one-button measurements, including channel power, adjacent channel power, occupied bandwidth, AM/FM demodulation, and C/I. Sets the antenna to the first antenna in the instrument's antenna list. Sets the instrument to single sweep mode (:INITiate:CONTinuous OFF). Measurement settings can be modified by using the [:SENSe]:FSTrength commands before initiating a sweep. Note that this measurement is not valid in zero span.

Syntax: :CONFigure:FSTrength

Related Command: [:SENSe]:FSTrength:ANTenna

Front Panel

Access: NA

Configure Occupied Bandwidth

:CONFigure:OBWidth

Description: Configures the default occupied bandwidth measurement. Disables any other active one-button measurements, including channel power, ACPR, AM/FM demodulation, and C/I. Sets the method to %. Sets the % of power to 99%. Sets the instrument to single sweep mode (:INITiate:CONTinuous OFF). Measurement settings can be modified by using the [:SENSe]:OBWidth commands before initiating a sweep. Note that this measurement is not valid in zero span.

Syntax: :CONFigure:OBWidth

Related Command: [:SENSe]:OBWidth:STATe
[:SENSe]:OBWidth:METHOD
[:SENSe]:OBWidth:PERCent
[:SENSe]:OBWidth:XDB

Front Panel

Access: NA

Measurement Mode

:CONFigure?

Description: Returns the Measurement mode: “CHP” for channel power, “FLDS” for field strength, “OBW” for occupied bandwidth, “ACP” for ACPR, “AMFM” for AM/FM Demod, “CI” for C/I.

Syntax: :CONFigure?

Cmd Parameter: NA (query only)

Query Response: NA

Front Panel

Access: NA

6-5 :DISPlay Subsystem

This subsystem provides commands that modify the display of data for the user. They do not modify the way in which data are returned to the controller.

Display Grid

:DISPlay:GRID

Description: Turns the sweep window grid lines On or Off.

Syntax: :DISPlay:GRID 0|1|ON|OFF

Cmd Parameter: <boolean> 0|1|ON|OFF

Query Response: NA (no query)

Front Panel

Access: NA

Scale

:DISPlay:WINDow:TRACe:Y[:SCALe]:PDIVision

Description: Sets the scale (dB/division) for the y-axis.

Syntax: :DISPlay:WINDow:TRACe:Y[:SCALe]:PDIVision <rel ampl>
:DISPlay:WINDow:TRACe:Y[:SCALe]:PDIVision?

Cmd Parameter: <rel ampl>

Query Response: <rel ampl>

Range: 1 dB to 15 dB

Default Value: 10 dB/div

Default Unit: dB

Front Panel

Access: **Amplitude**, Scale

Reference Level

:DISPlay:WINDow:TRACe:Y[:SCALe]:RLEVEL

Description: Sets the reference level amplitude value for the y-axis. Note that this may cause a change in attenuation if the automatic input attenuation coupling is enabled.

Syntax: :DISPlay:WINDow:TRACe:Y[:SCALe]:RLEVEL <amplitude>
:DISPlay:WINDow:TRACe:Y[:SCALe]:RLEVEL?

Cmd Parameter: <amplitude>

Query Response: <amplitude>

Range: With reference level offset = 0 dB: 30 dBm to -130 dBm

Default Value: 10 dBm

Default Unit: Current active amplitude unit

Example: To set the reference level to 15 dBm (If y-axis is dBm)

```
:DISPlay:WINDow:TRACe:Y:SCALe:RLEVEL 15
:DISPlay:WINDow:TRACe:Y:SCALe:RLEVEL 15dBm
```

Related Command: :DISPlay:WINDow:TRACe:Y[:SCALe]:RLEVEL:OFFSet

Front Panel

Access: **Amplitude**, Reference Level

Reference Level Offset

:DISPlay:WINDow:TRACe:Y[:SCALe]:RLEVEL:OFFSet

Description: Sets the reference level offset value for the y-axis.

Syntax: :DISPlay:WINDow:TRACe:Y[:SCALe]:RLEVEL:OFFSet
<rel ampl>
:DISPlay:WINDow:TRACe:Y[:SCALe]:RLEVEL:OFFSet?

Cmd Parameter: <rel ampl>

Query Response: <rel ampl>

Range: -100 dB to +100 dB

Default Value: 0 dB

Default Unit: dB

Front Panel

Access: **Amplitude**, RL Offset

6-6 :FETCh Subsystem

This set of commands returns the most recent measurement data of the active measurement. They do not switch to another measurement.

To make a new measurement, use the :INITiate command. To get new measurement data, use the :READ or :MEASure query commands.

Fetch Adjacent Channel Power Ratio

:FETCh:ACPower?

Description: Returns the most recent adjacent channel power ratio measurement results. If the instrument is sweeping, it does not return until the sweep is complete. If the instrument is not sweeping, and if the current data is not valid, then it returns error -230. This could occur if an *RST command were issued immediately before the :FETCh? or if a measurement parameter were changed without an :INITiate.

Data is returned as 3 comma-separated values: main channel power, lower adjacent channel power, upper adjacent channel power.

Syntax: :FETCh:ACPower?

Default Unit: Current amplitude units

Front Panel

Access: NA

Fetch Channel Power

:FETCh:CHPower:CHPower?

Description: Returns the most recent channel power measurement result. It returns only the channel power, not the channel power density. Use :FETCh:CHPower? to get both channel power and channel power density.

Syntax: :FETCh:CHPower:CHPower?

Cmd Parameter: NA (query only)

Default Unit: Current amplitude units

Related Command: :FETCh:CHPower?

:FETCh:CHPower:DENSity?

Front Panel

Access: NA

Fetch Channel Power Density

:FETCh:CHPower:DENSity?

Description: Returns the most recent channel power density measurement result. It returns only the channel power density, not the channel power. Use :FETCh:CHPower? to get both channel power and channel power density. If the instrument is sweeping, then it does not return until the sweep is complete. If the instrument is not sweeping, and if the current data is not valid, then it returns error -230. This could occur if an *RST command were issued immediately before the :FETCh?, or if a measurement parameter were changed without an :INITiate.

Syntax: :FETCh:CHPower:DENSity?

Cmd Parameter: NA (query only)

Default Unit: Current amplitude units

Front Panel

Access: NA

Fetch Channel Power/Density

:FETCh:CHPower?

Description: This command returns the most recent channel power measurement results: channel power and channel power density. If the instrument is sweeping, then it does not return until the sweep is complete. If the instrument is not sweeping, and if the current data is not valid, then it returns error -230. This could occur if an *RST command were issued immediately before the :FETCh?, or if a measurement parameter were changed without an :INITiate.

Data is returned as 2 comma-separated values: channel power, channel power density.

Syntax: :FETCh:CHPower?

Cmd Parameter: NA (query only)

Default Unit: Current amplitude units

Related Command: :FETCh:CHPower:CHPower?
:FETCh:CHPower:DENSity?

Front Panel

Access: NA

Fetch Occupied Bandwidth Frequency

:FETCh:OBWidth:FREQuency?

Description: Returns the most recent occupied bandwidth lower frequency and upper frequency.

Data is returned as 2 comma-separated values: lower frequency and upper frequency in Hz.

Syntax: :FETCh:OBWidth:FREQuency?

Cmd Parameter: NA (query only)

Default Unit: Hz

Related Command: :FETCh:CHPower?
:FETCh:CHPower:CHPower?

Front Panel
Access: NA

Fetch Occupied Bandwidth

:FETCh:OBWidth?

Description: Returns the most recent occupied bandwidth measurement results: occupied bandwidth, percent of power, and dB down. One of either percent of power or dB down is measured, and the other is set. That is determined by the value that is set using [:SENSe]:OBWidth:METhod. If the instrument is sweeping, then it does not return until the sweep is complete. If the instrument is not sweeping, and if the current data is not valid, then it returns error -230. This could occur if an *RST command were issued immediately before the :FETCh?, or if a measurement parameter were changed without an :INITiate.

Data is returned as 3 comma-separated values: occupied bandwidth, percent of power, dB down.

Syntax: :FETCh:OBWidth?

Cmd Parameter: NA (query only)

Default Unit: OBW in Hz, Percent of Power in %, dB Down in dB

Front Panel
Access: NA

6-7 :FORMat Subsystem

This subsystem contains commands that determine the formatting of numeric data when it is transferred.

The format setting affects data in specific commands only. If a command is affected, it is noted in the command description.

Numeric Data Format

:FORMat [:READings] [:DATA]

Description: This command specifies the format in which data is returned in certain commands. The optional `<length>` parameter is needed for REAL format only. It defines the length of the floating point number in bits. Valid values are 32 and 64. If no length is specified, then the default length of REAL data is set to 64 bits.

ASCii format returns the data in comma-separated ASCII format. The units are the current instrument units. This format requires many more bytes, and it is therefore the slowest format. INTeger,32 values are signed 32-bit integers in little-endian byte order. This format returns the data in 4-byte blocks. The units are always mdBm. For example, if the measured result were -12.345 dBm, then that value would be sent as -12345 . REAL,32 values are 32-bit floating point numbers conforming to the IEEE 754 standard in little-endian byte order. This format returns the data in 4-byte binary format. The units are the current instrument units. REAL,64 values are 64-bit floating point numbers conforming to the IEEE 754 standard in little-endian byte order. This format returns the data in 8-byte binary format. The units are the current instrument units. For a more precise reading, REAL,64 should be used instead of REAL,32 when the current instrument unit is set to Volt or Watt.

Both INTeger and REAL formats return a definite block length. Each transfer begins with an ASCII header such as #42204 for INTeger,32 and REAL,32 and #44408 for REAL,64. The first digit represents the number of following digits in the header (in this example, 4). The remainder of the header indicates the number of bytes that follow the header (in this example, 2204 for INT,32 and REAL,32 and 4408 for REAL,64). You then divide the number of following bytes by the number of bytes in the data format that you have chosen (4 for both INTeger,32 and REAL,32, and 8 for REAL,64) to get the number of data points (in this example, 551).

Syntax: :FORMat [:READings] [:DATA]
 ASCii | INTeger, 32 | REAL, [<length>]
 :FORMat [:READings] [:DATA] ?

Cmd Parameter: <char> ASCii | INTeger, 32 | REAL, [<length>]

Query Response: <char> ASCii | INTeger, 32 | REAL, [<length>]

Default Value: ASCii

Related Command: :TRACe [:DATA]

Front Panel

Access: NA

6-8 :INITiate Subsystem

This subsystem controls the triggering of measurements.

Continuous/Single Sweep

:INITiate:CONTinuous

Description: Specifies whether the sweep/measurement is triggered continuously. If the value is set to ON or 1, then another sweep/measurement is triggered as soon as the current one is complete. If continuous is set to OFF or 0, then the instrument enters the “idle” state and waits for the :INITiate[:IMMediate] command or for :INITiate:CONTinuous ON. The default value is ON. That is, sending :INIT:CONT is equivalent to sending :INIT:CONT ON. The query version of the command returns a 1 if the instrument is continuously sweeping/measuring and returns a 0 if the instrument is in single sweep/measurement mode. Note that rapid toggling between ON and OFF is not allowed. The instrument must be allowed to make a full sweep before toggling can be done.

Syntax: :INITiate:CONTinuous OFF|ON|0|1
:INITiate:CONTinuous?

Cmd Parameter: <boolean> OFF|ON|0|1

Query Response: <bNR1> 0|1

Default Value: ON

Related Command: :INITiate[:IMMediate]

Front Panel

Access: **Shift-3** (Sweep), Sweep

Trigger Sweep/Measurement

:INITiate[:IMMEDIATE]

Description: Initiates a sweep/measurement. If :INITiate:CONTinuous is set to ON, then this command is ignored. Use this command in combination with :STATus:OPERation? to synchronize the capture of one complete set of data. When this command is sent, the “sweep complete” bit of :STATus:OPERation? is set to 0, indicating that the measurement is not complete. The data collection is then triggered. The controlling program can poll :STATus:OPERation? to determine the status. When the “sweep complete” bit is set to 1, then data is ready to be retrieved.

If the value is set to ONCE, then :INITiate[:IMMEDIATE] sweeps once. If the value is set to AVERAge, and if trace averaging is on, then the instrument sweeps and averages the next X traces, where X is equal to **Shift-5 (Trace) > Trace A Operations > # of Averages**. If the value is set to AVERAge, and if trace averaging is off, then the instrument sweeps once. When averaging is on, the sweep complete bit is set after the Xth sweep is completed. If no argument is specified, then AVERAge is sent.

Syntax: :INITiate[:IMMEDIATE] ONCE|AVERAge

Cmd Parameter: <char> ONCE|AVERAge

Query Response: <char> ONCE|AVER

Default Value: ONCE

Related Command: :INITiate:CONTinuous
:STATus:OPERation?

Front Panel

Access: NA

6-9 :MEASure Subsystem

These commands take the instrument from its current state, enable the specified measurement, and put the instrument into single sweep mode. They correct any parameters that are invalid given the new measurement state such that a valid measurement can take place. Other settings may be changed. Refer to the documentation of :CONFigure for each measurement. They then initiate the measurement. When the measurement is complete, they return the result.

To make a measurement with settings other than the “default” measurement settings applied by :CONFigure, do the following:

1. Send the appropriate :CONFigure command to set the desired measurement.
2. Modify the settings as required.
3. Send the appropriate :READ command to measure and return the result.

To get the current measurement data, use the appropriate :FETCh command.

Measure Adjacent Channel Power Ratio

:MEASure:ACPower?

Description: Sets the active measurement to adjacent channel power ratio, sets the default measurement parameters, triggers a new measurement and returns the main channel power lower adjacent and upper adjacent channel power results. It is a combination of the commands :CONFigure:ACPower and :READ:ACPower?. For a description of the default adjacent channel power ratio measurement parameters, refer to :CONFigure:ACPower. To make an adjacent channel power ratio measurement with settings other than the default values, send:

```
:CONFigure:ACPower
Commands to set desired settings
:READ:ACPower?
```

Data is returned as 3 comma-separated values: main channel power, lower adjacent channel power, upper adjacent channel power.

Syntax: :MEASure:ACPower?

Cmd Parameter: NA (query only)

Default Unit: Current amplitude units

Related Command: :CONFigure:ACPower

Front Panel

Access: NA

Measure Channel Power

:MEASure:CHPower:CHPower?

Description: Sets the active measurement to channel power, sets the default measurement parameters, triggers a new measurement and returns the channel power result. To measure both channel power and channel power density, use :MEASure:CHPower? It is a combination of the commands :CONFigure:CHPower and :READ:CHPower:CHPower? For a description of the default channel power measurement parameters, refer to :CONFigure:CHPower. To make a channel power measurement with settings other than the default values, send:

```
:CONFigure:CHPower  
Commands to set desired settings  
:READ:CHPower:CHPower?
```

Syntax: :MEASure:CHPower:CHPower?

Cmd Parameter: NA (query only)

Default Unit: Current amplitude units

Related Command: :MEASure:CHPower?
:MEASure:CHPower:DENSity?
:CONFigure:CHPower

Front Panel

Access: NA

Measure Channel Power Density

:MEASure:CHPower:DENSity?

Description: Sets the active measurement to channel power, sets the default measurement parameters, triggers a new measurement and returns the channel power density result. To measure both channel power and channel power density use :MEASure:CHPower?. It is a combination of the commands :CONFigure:CHPower and :READ:CHPower:DENSity?. For a description of the default channel power measurement parameters, refer to :CONFigure:CHPower. To make a channel power measurement with settings other than the default values, send:

```
:CONFigure:CHPower  
Commands to set desired settings  
:READ:CHPower:DENSity?
```

Syntax: :MEASure:CHPower:DENSity?

Cmd Parameter: NA (query only)

Default Unit: Current amplitude units

Related Command: :MEASure:CHPower?
:MEASure:CHPower:CHPower?
:CONFigure:CHPower

Front Panel

Access: NA

Measure Channel Power/Density

:MEASure:CHPower?

Description: Sets the active measurement to channel power, sets the default measurement parameters, triggers a new measurement, and returns the channel power and channel power density results. It is a combination of the commands :CONFIgure:CHPower and :READ:CHPower?. For a description of the default channel power measurement parameters, refer to :CONFIgure:CHPower. To make a channel power measurement with settings other than the default values, send:

```
:CONFIgure:CHPower  
Commands to set desired settings  
:READ:CHPower?
```

Data is returned as 2 comma-separated values: channel power, channel power density.

Syntax: :MEASure:CHPower?

Cmd Parameter: NA (query only)

Default Unit: Current amplitude units

Related Command: :MEASure:CHPower:CHPower?
:MEASure:CHPower:DENSity?
:CONFIgure:CHPower

Front Panel

Access: NA

Measure Occupied Bandwidth

:MEASure:OBWidth?

Description: Sets the active measurement to occupied bandwidth, sets the default measurement parameters, triggers a new measurement and returns the occupied bandwidth, percent of power and dB down results. It is a combination of the commands :CONFigure:OBWidth and :READ:OBWidth? For a description of the default occupied bandwidth measurement parameters, refer to :CONFigure:OBWidth. To make an occupied bandwidth measurement with settings other than the default values, send:

```
:CONFigure:OBWidth  
Commands to set desired settings  
:READ:OBWidth?
```

Data is returned as 3 comma-separated values: occupied bandwidth, percent of power, dB down.

Syntax: :MEASure:OBWidth?

Cmd Parameter: NA (query only)

Default Unit: For OBW: Hz
For Percent of Power: %
For dB Down: dB

Related Command: :CONFigure:OBWidth
:CONFigure:RF SPECTrum

Front Panel

Access: NA

6-10 :MMEMory Subsystem

The Mass Memory subsystem contains functions that provide access to the instrument setup and data storage.

Recall Limit

:MMEMory:LOAD:LIMit

Description: Recalls a previously stored limit from the current save location. The saved limit setting that is to be loaded is specified by `<file name>`. `<file name>` should be enclosed in either single quotes (') or double quotes ("") and should contain a file extension ".lim". Note that the trace specified by `<file name>` should be available at the current save location. Use the command `:MMEMory:MSIS` to set the current save location. File Extensions: ".lim"

Syntax: `:MMEMory:LOAD:LIMit <file name>`

Cmd Parameter: `<file name>`

Example: To recall trace with file name "limit":
`:MMEMory:LOAD:LIMit "limit.lim"`

Related Command: `:MMEMory:STORe:LIMit`

Front Panel

Access: **Shift-7** (File), Recall, Change Type (select file type from list)

Recall Setup

:MMEMory:LOAD:STATe

Description: Recalls a previously stored instrument setup in the current save location. The setup file that is to be loaded is specified by `<file name>`. `<file name>` should be enclosed in either single quotes (') or double quotes ("") and should contain a file extension ".stp". Use the command `:MMEMory:MSIS` to set the current save location. The `<integer>` parameter is not currently used, but it must be sent.

Send a numeral 1.

Syntax: `:MMEMory:LOAD:STATe <integer>,<file name>`

Cmd Parameter: `<integer>`, `<file name>`

Related Command: `:MMEMory:STORe:STATe`
`:MMEMory:MSIS INTernal|USB`

Front Panel

Access: **Shift-7** (File), Recall, Change Type (select file type from list)

Recall Measurement

:MMEMory:LOAD:TRACe

Description: The instrument must be in the mode of the saved trace in order to recall that trace. Use :INSTrument:SElect or :INSTrument:NSElect to set the mode.

Recalls a previously stored measurement trace from the current save location. The saved measurement trace that is to be loaded is specified by <file name>. <file name> should be enclosed in either single quotes (') or double quotes (") and should contain a file extension. Note that the trace specified by <file name> should be available at the current save location. Use the command :MMEMory:MSIS to set the current save location. The <integer> parameter is not currently used, but it must be sent.

Send a numeral 1.

File name extensions:

“.spa” for SPA

“.ia” for Interference Analysis

“.cs” for Channel Scanner

Syntax: :MMEMory:LOAD:TRACe <integer>,<file name>

Cmd Parameter: <integer>, <file name>

Example: To recall trace with filename “trace”:

```
:MMEMory:LOAD:TRACe 1,"trace.spa"
```

Related Command: :MMEMory:STORE:TRACe
:MMEMory:STORE:TRACe
:MMEMory:MSIS INTernal|USB

Front Panel

Access: **Shift-7** (File), Recall Measurement

Shift-7 (File), Recall, Change Type (select file type from list)

Save Limit

:MMEMemory:STORe:LIMit

Description: Stores the current limit setup into the file specified by <file name>. <file name> should be enclosed in either single quotes (') or double quotes ("") and should not contain a file extension. Use the command :MMEMemory:MSIS to set the current save location.

Syntax: :MMEMemory:STORe:LIMit <file name>

Cmd Parameter: <file name>

Related Command: :MMEMemory:MSIS INTernal|USB

Front Panel

Access: **Shift-7** (File), Save, Change Type, (select Limit Line from list)

Save Setup

:MMEMemory:STORe:STATe

Description: Stores the current setup into the file that is specified by <file name>. <file name> should be enclosed in either single quotes (') or double quotes ("") and should not contain a file extension. Use the command :MMEMemory:MSIS to set the current save location. The <integer> parameter is not currently used, but it must be sent. Send a value of 0.

Syntax: :MMEMemory:STORe:STATe <integer>,<file name>

Cmd Parameter: <integer>, <file name>

Related Command: :MMEMemory:LOAD:STATe
:MMEMemory:MSIS INTernal|USB

Front Panel

Access: **Shift-7** (File), Save, Change Type (select Setup from list)

Save Measurement

:MMEMory:STORe:TRACe

Description: Stores the trace into the file that is specified by <file name>. <file name> should be enclosed in either single quotes (' ') or double quotes (" ") and should not contain a file extension. Use the command :MMEMory:MSIS to set the current save location. The <integer> parameter is not currently used, but it must be sent. Send a value of 0.

Syntax: :MMEMory:STORe:TRACe <integer>,<file name>

Cmd Parameter: <integer>, <file name>

Example: To save the trace into the file name "trace":

```
:MMEMory:STORe:TRACe 0,"trace"
```

Related Command: :MMEMory:LOAD:TRACe
:MMEMory:MSIS INTernal|USB

Front Panel

Access: **Shift-7** (File), Save, Save Measurement
Shift-7 (File), Save, Change Type (select file type from list)

6-11 :READ Subsystem

This set of commands combines the :ABORT, :INITiate and :FETCh commands. It aborts any current triggering sequence and sets the trigger state to idle. It then initiates a new active measurement (in other words, begins the collection of new data). When the measurement is complete, it returns the result. These commands do not switch to another measurement.

To get the current measurement data, use the :FETCh command.

Read Adjacent Channel Power Ratio

:READ:ACPower?

Description: Triggers a new adjacent channel power ratio measurement and returns the results: main channel power, lower adjacent channel power, and upper adjacent channel power. It is a combination of the commands :ABORT; :INITiate; :FETCh:ACPower? The channel power measurement must be the active measurement (specified by the command :CONFigure:ACPower). The current measurement can be queried using the command :CONFigure?

Data is returned as 3 comma-separated values: main channel power, lower adjacent channel power, upper adjacent channel power.

Syntax: :READ:ACPower?

Cmd Parameter: NA (query only)

Related Command: :READ:ACPower?
:CONFigure

Front Panel

Access: NA

Read Channel Power Density

:READ:CHPower:DENSity?

Description: Triggers a new channel power measurement and returns the channel power density result. It is a combination of the commands :ABORT; :INITiate; :FETCh:CHPower:DENSity? It returns only the channel power density, not the channel power. Use the command :READ:CHPower? to get both channel power and channel power density. The channel power measurement must be the active measurement (specified by :CONFigure:CHPower). The current measurement can be queried using :CONFigure? command.

Syntax: :READ:CHPower:DENSity?

Cmd Parameter: NA (query only)

Default Unit: Current amplitude units

Related Command: :READ:CHPower?
:READ:CHPower:CHPower?
:CONFigure

Front Panel

Access: NA

Read Channel Power

:READ:CHPower?

Description: Triggers a new channel power measurement and returns the results. It is a combination of the commands :ABORT; :INITiate; :FETCh:CHPower? The channel power measurement must be active. The current measurement can be queried using :CONFigure?

Syntax: :READ:CHPower?

Cmd Parameter: NA (query only)

Default Unit: dBm

Related Command: :READ:CHPower:CHPower?
:READ:CHPower:DENSity?
:CONFigure

Front Panel

Access: NA

Read Occupied Bandwidth

:READ:OBWidth?

Description: Triggers a new occupied bandwidth measurement and returns the results: occupied bandwidth, percent of power and dB down. It is a combination of the commands :ABORT; :INITiate; :FETCh:OBWidth? The occupied bandwidth measurement must be the active measurement (specified by :CONFiGure:OBWidth). The current measurement can be queried using :CONFiGure?

Data is returned as 3 comma-separated values: occupied bandwidth, percent of power, dB down.

Syntax: :READ:OBWidth?

Cmd Parameter: NA (query only)

Default Unit: For OBW: Hz
For Percent of Power: %
For dB Down: dB

Related Command: :CONFiGure

Front Panel

Access: NA

6-12 :TRACe Subsystem

This subsystem contains commands related to the transfer of trace data to and from the instrument.

Trace Copy

:TRACe:COPI

Description: Copies Trace A to either Trace B or Trace C. Copying Trace A to Trace B is equivalent to pressing the **Shift-5** (Trace), Trace B Operations, A→B on the front panel. This stores Trace A into Trace B and turns on Trace B if it was off. Copying Trace A to Trace C is equivalent to pressing the **Shift-5** (Trace), Trace C Operations, A→C on the front panel. This stores Trace A into Trace C and turns on Trace C if it was off.

Syntax: :TRACe:COPI TRACE1,TRACE2|TRACE3

Cmd Parameter: <char> TRACE1,TRACE2|TRACE3

Query Response: NA (no query)

Example: To copy Trace A to Trace B:

```
:TRACe:COPI TRACE1,TRACE2
```

To copy Trace A to Trace C:

```
:TRACe:COPI TRACE1,Trace3
```

Front Panel

Access: NA

Trace Exchange

:TRACe:EXCHange TRACE2,TRACE3

Description: Swaps Trace B and Trace C.

Syntax: :TRACe:EXCHange TRACE2,TRACE3

Cmd Parameter: <char> TRACE2,TRACE3

Query Response: NA (no query)

Front Panel

Access: **Shift-5** (Trace), Trace B Operations, B↔C
Shift-5 (Trace), Trace C Operations, B↔C

Trace Header Transfer

:TRACe:PREamble?

Description: Returns trace header information for the specified trace. Data can be transferred to and from the 3 available display traces. Use the commands in the :MMEMory subsystem to store and recall traces from the instrument memory. The response begins with an ASCII header. The header specifies the number of following bytes. It appears as #AX, where A is the number of digits in X, and X is the number of bytes that follow the header. (Refer to “[Example Response Format:](#)” on page 3-154 for an example of the header.)

Parameters are returned in comma-delimited ASCII format. Each parameter is returned as “NAME=VALUE [UNITS] ,” Note that the parameters that are returned depend on the firmware version, and that this document does not cover all parameter values that are returned by the command. Refer to [Table 6-2](#) for valid parameter names.

Syntax: :TRACe:PREamble? {1|2|3}

Cmd Parameter: NA (query only)

Query Response: [1] | 2 | 3

Range: 1 | 2 | 3

Front Panel

Access: NA

Trace Header Parameters

Table 6-2 describes parameters that can be returned by the :TRACe:PREamble? command.

Table 6-2. Trace Header Parameters (Sheet 1 of 4)

Parameter Name	Description
SN	Instrument serial #
UNIT_NAME	Instrument name
DESCR	Trace name
DATE	Trace date/time
BASE_VER	Base FW version
APP_NAME	Application name
APP_VER	Application FW version
UNITS	Amplitude units
CENTER_FREQ	Center frequency
SPAN	Frequency span
FREQ_STEP	Frequency step size
RBW	Resolution bandwidth
RBW_TYPE	RBW coupling auto/manual
VBW	Video bandwidth
VBW_TYPE	VBW coupling auto/manual
RBW_VBW_RATIO	RBW/VBW ratio
SPAN_RBW_RATIO	Span/RBW ratio
INPUT_ATTEN	Input attenuation
ATTEN_TYPE	Attenuation coupling auto/manual
REFERENCE_LEVEL	Reference level
SCALE	Y-axis scale
PREAMP_SET	Preamp state
REF_LEVEL_OFFSET	Reference level offset
DETECTION	Detection type
TRACE_AVERAGE	Number of traces to average
SWEEP_TYPE	Single/continuous
CURRENT_SIGNAL	Current signal index
CURRENT_CHANNEL	Current signal channel
TRACE_MODE	Normal/Avg/Max
TRACE_STATUS	TRACE_A_VIEW_NOT_BLANK: 0x0000000000000001
TRACE_A_WRITE_NOT_HOLD: 0x0000000000000002	TRACE_A_DATA_VALID: 0x0000000000000004

Table 6-2. Trace Header Parameters (Sheet 2 of 4)

Parameter Name	Description
TRACE_B_VIEW_NOT_BLANK: 0x00000000000010000	TRACE_B_WRITE_NOT_HOLD: 0x00000000000020000
TRACE_B_DATA_VALID: 0x00000000000040000	TRACE_C_VIEW_NOT_BLANK: 0x00000000100000000
TRACE_C_WRITE_NOT_HOLD: 0x00000000200000000	TRACE_C_DATA_VALID: 0x00000000400000000
TRACE_C_IS_B_MINUS_A_ON: 0x00000001000000000	TRACE_C_IS_A_MINUS_B_ON: 0x00000002000000000
TRACE_COUNT	Number of traces averaged
UI_DATA_POINTS	Number of display points
IMPEDANCE	Input impedance
REFERENCE_FREQUENCY	Reference freq
SET_SWEEP_TIME	Minimum sweep time setting
TRIGGER_TYPE	Trigger type
VIDEO_TRIGGER_LEVEL	Video trigger level
TRIGGER_POSITION	Trigger position as a percent of the display
PEAK_THRESHOLD	Marker peak search threshold
MARKER_TABLE	Marker table status
ACTIVE_MEASUREMENT	Current measurement
ANTENNA	Antenna index
OCC_BW_METHOD	Occupied bandwidth method
OCC_BW_PERCENT	Occupied bandwidth % of power setting
OCC_BW_DBC	Occupied bandwidth dBc setting
OCC_BW_MEASURED_DB	Occupied bandwidth measured dBc value
OCC_BW_MEASURED_PERCENT	Occupied bandwidth measured % value
OCC_BW_VALUE	Measured occupied bandwidth
OCC_BW_LINE_MARKER_INFO	Mask off 16 bits at a time to get the display point location of the 3 OBW display indicators
CH_PWR_WIDTH	Channel power integration bandwidth
CH_PWR_VALUE	Measured channel power
CH_PWR_DENSITY	Measured channel power density
CH_PWR_LINE_MARKER_INFO	Mask off 16 bits at a time to get the display point location of the 2 channel power display indicators
ACPR_MAIN_CH_BW	ACPR main channel bandwidth
ACPR_ADJC_CH_BW	ACPR adjacent channel bandwidth
ACPR_CHANNEL_SPACING	ACPR channel spacing

Table 6-2. Trace Header Parameters (Sheet 3 of 4)

Parameter Name	Description
ACPR_MAIN_CH_PWR	ACPR measured main channel power
ACPR_UPPER_CH_PWR	ACPR measured upper channel power
ACPR_LOWER_CH_PWR	ACPR measured lower channel power
ACPR_LOWER_CH_LINE_MARKER_INFO	Mask off 16 bits at a time to get the display point location of the 2 ACPR lower channel display indicators
ACPR_MAIN_CH_LINE_MARKER_INFO	Mask off 16 bits at a time to get the display point location of the 2 ACPR main channel display indicators
ACPR_UPPER_CH_LINE_MARKER_INFO	Mask off 16 bits at a time to get the display point location of the 2 ACPR upper channel display indicators
AM_FM_DEMOD_VOL	AM/FM demod volume
AM_FM_DEMOD_FREQUENCY	AM/FM demod freq
AM_FM_DEMOD_TYPE	AM/FM demod type
AM_FM_DEMOD_TIME	AM/FM demod time
AM_FM_LINE_MARKER	Display point location of the demodulation frequency
BEAT_FREQUENCY_OSC_FREQUENCY	BFO oscillator freq
CI_C_TYPE	C/I measurement carrier type
CI_C_VALUE	C/I measurement measured carrier power
CI_I_BB_VALUE	C/I measurement measured broadband interference power
CI_I_NB_VALUE	C/I measurement measured narrowband interference power
CI_I_WB_VALUE	C/I measurement measured wideband interference power
CI_BB_VALUE	C/I measurement with broadband interference
CI_NB_VALUE	C/I measurement with narrowband interference
CI_WB_VALUE	C/I measurement with wideband interference
MKR_SPA_FREQNx	Marker x frequency (where x is the marker number 0-11, 0 represent the reference marker #1 and 1 represent delta marker #1, 2 represent reference marker #2, and 3 represent delta marker #2, and so on)
MKR_SPA_POINTx	Reference marker x display point
MKR_SPA_MAGNTx	Reference marker x magnitude
MKR_SPA_PRCNTx	Reference marker x display percentage
MKR_SPA_FLAGSx	Reference marker x flags:

Table 6-2. Trace Header Parameters (Sheet 4 of 4)

Parameter Name	Description
SPA_MKR_FLAG_ON_OFF: 0x00000001	SPA_MKR_FLAG_DELTA_MKR: 0x00000002
SPA_MKR_FLAG_SELECTED: 0x00000004	SPA_MKR_FLAG_DATA_INVALID: 0x00000008
SPA_MKR_FLAG_DATA_STALE: 0x00000010	SPA_MKR_FLAG_FIXED: 0x00000020
SPA_MKR_FLAG_MASK: 0x000000FF	SPA_MKR_FLAG_DISPL_AMPL_HZ: 0x00000100
SPA_MKR_FLAG_DISPL_AMPL_PER_HZ: 0x00000200	SPA_MKR_FLAG_DISP_FLAG: 0x00000F00
SPA_MKR_FLAG_RELATIVE: 0x00001000	SPA_MKR_STANDARD: 0x10000000
SPA_MKR_FIELD_STRENGTH: 0x20000000	SPA_MKR_NOISE: 0x30000000
SPA_MKR_COUNTER: 0x40000000	SPA_MKR_TIME: 0x50000000
MKR_SPA_REF_TOx	Specifies which marker is the marker x reference to
MKR_SPA_TRACEx	Specifies which trace the marker x is for.
LIM_LFLAGS_UP	Upper limit flags:
LIMIT_FLAG_ON: 0x00000004	LIMIT_FLAG_ALARM_ON: 0x00000002
LIM_FREQNC_UPx	Upper limit point x freq (where x is the limit point number starting with 0)
LIM_MAGNTD_UPx	Upper limit point x amplitude
LIM_LFLAGS_LO	Lower limit flags:
LIMIT_FLAG_ON: 0x00000004	LIMIT_FLAG_ALARM_ON: 0x00000002
LIM_FREQNC_LOx	Lower limit point x freq (where x is the limit point number starting with 0)
LIM_MAGNTD_LOx	Lower limit point x amplitude

Trace Data Transfer

:TRACe [:DATA]

Description: This command transfers data from the controlling program to the instrument. The query form transfers trace data from the instrument to the controller. When transferred to the instrument, data is enclosed in parentheses as (<header><block>), and when transferred from the instrument, data is formatted as <header><block>.

The ASCII header specifies the number of data bytes. It appears as #AX, where A is the number of digits in X, and X is the number of bytes in the <block>.

The format of the block data in the query form is specified by :FORMat:DATA. The block data in the command form is always sent in ASCII format. Data can be transferred to and from the 3 available display traces. Use the commands in the :MMEMory subsystem to store and recall traces from the instrument memory. The command form does not support setting all trace points to a single value. To do this, send the same value to each point. Trace setup information can be acquired by using :TRACe[:DATA]:PREamble?.

To acquire the data from Trace A in the instrument, send :TRACe[:DATA]? 1. A 551 point trace is returned as #42204<block data>. <block> data could be in either INTeger,32 or REAL,32 format. In both cases, each data point has 4 bytes. So, 4 bytes per point multiplied by 551 data points gives 2204 bytes in <block> data. This example assumes that :FORMat:DATA INTeger,32 or :FORMat:DATA REAL,32 has been sent to the instrument before the query command is sent.

The query command returns a #0 if data is invalid for the active trace.

Syntax: :TRACe[:DATA] {1|2|3}, (<header><block>)
:TRACe[:DATA]? {1|2|3}

Cmd Parameter: {1|2|3}, (<header><block>)

Query Response: {1|2|3}

Related Command: :FORMat:DATA
:TRACe[:DATA]:PREamble?

Front Panel

Access: NA

Trace View State

:TRACe{1|2|3}:DISPlay[:STATe]

Description: Specifies whether the designated trace should be displayable (visible) or hidden. TRACe1 corresponds to Trace A, TRACe2 corresponds to Trace B, and TRACe3 corresponds to Trace C. Setting the value to ON or to 1 sets the designated trace to be visible. Setting the value to OFF or to 0 sets the designated trace to be hidden. Note that issuing this command also sets the specified trace as the active trace.

Syntax: :TRACe{1|2|3}:DISPlay[:STATe] OFF|ON|0|1
:TRACe{1|2|3}:DISPlay[:STATe] ?

Cmd Parameter: <boolean> OFF|ON|0|1

Query Response: <bNR1> 0|1

Default Value: ON for Trace A
OFF for Trace B
OFF for Trace C

Example: To set Trace A to Blank:

```
:TRACe:DISPlay OFF
:TRACe1:DISPlay 0
```

To set Trace B to View:

```
:TRACe2:DISPlay ON
:TRACe2:DISPlay:STATe ON
:TRACe2:DISPlay 1
```

Front Panel

Access: **Shift-5** (Trace), View/Blank

Trace Write State

:TRACe{1|2|3}:WRITe[:STATe]

Description: Specifies whether the designated trace state should be set to write or to hold. TRACe1 corresponds to Trace A, TRACe2 corresponds to Trace B, and TRACe3 corresponds to Trace C. Setting the state to ON or to 1 sets the specified trace to write. Setting the state to OFF or to 0 sets the specified trace to hold.

Syntax: :TRACe{1|2|3}:WRITe[:STATe] OFF|ON|0|1
:TRACe{1|2|3}:WRITe[:STATe] ?

Cmd Parameter: <boolean> OFF|ON|0|1

Query Response: <bNR1> 0|1

Default Value: ON for Trace A
OFF for Trace B
OFF for Trace C

Example: To set Trace A to Hold:

```
:TRACe:WRITe:STATe OFF
:TRACe:WRITe OFF
:TRACe:WRITe 0
```

To set Trace C to Write:

```
:TRACe3:WRITe ON
:TRACe3:WRITe:STATe ON
:TRACe3:WRITe 1
```

Related Command: :TRACe:DATA

Front Panel

Access: **Shift-5** (Trace), Write/Hold

Trace A Operation

:TRACe1:OPERation

Description: This command specifies how successive traces are combined to produce the resulting display values.

Setting the operation to `NORMAL` is equivalent to pressing **Shift-5** (Trace), Trace A Operations, Normal→A on the front panel. This displays a trace based on the detection method selected.

Setting the operation to `MAXHold` is equivalent to pressing **Shift-5** (Trace), Trace A Operations, Max Hold→A on the front panel. This displays the largest signal for each display point over multiple sweeps.

Setting the operation to `MINHold` is equivalent to pressing **Shift-5** (Trace), Trace A Operations, Min Hold→A on the front panel. This displays the smallest signal for each display point over multiple sweeps.

Setting the operation to `AVERAGE` is equivalent to pressing **Shift-5** (Trace), Trace A Operations, Average→A on the front panel. This displays the average value of multiple sweeps for each display point.

The query version of the command returns the current operation mode or "NONE" if no operation is set.

Syntax: `:TRACe1:OPERation NORMAL|MAXHold|MINHold|AVERAGE`
`:TRACe1:OPERation?`

Cmd Parameter: `<char> NORMAL|MAXHold|MINHold|AVERAGE`

Query Response: `<char> NORM|MAXH|MINH|AVER`

Default Value: `NORMAL`

Related Command: `[:SENSE] :AVERAGE:TYPE`

Front Panel

Access: **Shift-5** (Trace), Trace A Operations, Normal→A
Shift-5 (Trace), Trace A Operations, Max Hold→A
Shift-5 (Trace), Trace A Operations, Min Hold→A
Shift-5 (Trace), Trace A Operations, Average→A

Trace B Operation

:TRACe2:OPERation

Description: This command specifies how successive traces are combined to produce the resulting display values.

Setting the operation to `MAXHold` is equivalent to pressing **Shift-5** (Trace), Trace B Operations, Max Hold→B on the front panel. This displays the largest signal for each display point over multiple sweeps.

Setting the operation to `MINHold` is equivalent to pressing **Shift-5** (Trace), Trace B Operations, Min Hold→B on the front panel. This displays the smallest signal for each display point over multiple sweeps.

The query version of the command returns the current operation mode or "NONE" if no operation is set.

Syntax: `:TRACe2:OPERation MAXHold|MINHold`
`:TRACe2:OPERation?`

Cmd Parameter: `<char> MAXHold|MINHold`

Query Response: `<char> MAXH|MINH`

Range: `MAXHold|MINHold`

Default Value: None

Front Panel

Access: **Shift-5** (Trace), Trace B Operations, Max Hold→B

Shift-5 (Trace), Trace B Operations, Min Hold→B

Trace C Operation

:TRACe3:OPERation

Description: This command specifies how successive traces are combined to produce the resulting display values.

Setting the operation to `MAXHold` is equivalent to pressing **Shift-5** (Trace), Trace C Operations, Max Hold→C on the front panel. This displays the largest signal for each display point over multiple sweeps.

Setting the operation to `MINHold` is equivalent to pressing **Shift-5** (Trace), Trace C Operations, Min Hold→C on the front panel. This displays the smallest signal for each display point over multiple sweeps.

Setting the operation to `A-B` is equivalent to pressing **Shift-5** (Trace), Trace C Operations, A-B→C. This displays the difference between Trace A and Trace B values in Trace C.

Setting the operation to `B-A` is equivalent to pressing **Shift-5** (Trace), Trace C Operations, B-A→C. This displays the difference between Trace B and Trace A values in Trace C.

The query version of the command returns the current operation mode or "NONE" if no operation is set.

Syntax: `:TRACe3:OPERation MAXHold|MINHold|A-B|B-A`
`:TRACe3:OPERation?`

Cmd Parameter: `<char> MAXHold|MINHold|A-B|B-A`

Query Response: `<char> MAXH|MINH|A-B|B-A`

Range: `MAXHold|MINHold|A-B|B-A`

Default Value: None

Front Panel

Access: **Shift-5** (Trace), Trace C Operations, Max Hold→C

Shift-5 (Trace), Trace C Operations, Min Hold→C

Shift-5 (Trace), Trace C Operations, A-B→C

Shift-5 (Trace), Trace C Operations, B-A→C

6-13 :TRIGger Subsystem

This subsystem contains commands related to the triggering of instrument functions for the purposes of synchronization. Related commands appear in the :ABORT and :INITiate subsystems.

Trigger Source

:TRIGger [:SEQuence] :SOURce

Description: This command defines the trigger source. IMMEDIATE triggering is the equivalent of free-run triggering. EXTERNAL triggering is triggered when a TTL signal is applied to the External Trigger input connector. EXTERNAL triggering is always done on the rising edge of the signal. It is available only in zero span mode.

Syntax: :TRIGger [:SEQuence] :SOURce IMMEDIATE|EXTERNAL|VIDEO
:TRIGger [:SEQuence] :SOURce?

Cmd Parameter: <char> IMMEDIATE|EXTERNAL|VIDEO

Query Response: <char> IMM|EXT|VID

Range: IMMEDIATE|EXTERNAL|VIDEO

Default Value: Immediate

Related Command: :TRIGger [:SEQuence] :VIDeo:LEVel
:TRIGger [:SEQuence] :VIDeo:POSition

Front Panel

Access: **Shift-3** (Sweep), Triggering, Source

Video Trigger Position (time)

:TRIGger[:SEquence]:VIDeo:DElay

Description: This command sets the video triggering delay as either a percentage of the display or in time units. If setting the delay by time is desired, then time units must be specified when sending the command. The query version of this command returns the video triggering delay as a percentage

Syntax: :TRIGger[:SEquence]:VIDeo:DElay <percentage> or <time>
:TRIGger[:SEquence]:VIDeo:DElay?

Cmd Parameter: <percentage> or <time>

Query Response: <percentage> or <time>

Range: -100% to +200% (-1 ms to +2 ms)

Default Value: -1

Default Unit: %

Example: To set the delay to 1 ms:

```
:TRIGger:SEquence:VIDeo:DElay 1 ms
```

To set the delay to 1%:

```
:TRIGger:SEquence:VIDeo:DElay 1
```

Front Panel

Access: **Shift-3** (Sweep), Triggering, Source, Free Run|External|Video

Video Trigger Level

:TRIGger[:SEquence]:VIDeo:LEVel

Description: This command sets the video triggering level.

Syntax: :TRIGger[:SEquence]:VIDeo:LEVel <amplitude>
:TRIGger[:SEquence]:VIDeo:LEVel?

Cmd Parameter: <amplitude>

Query Response: <amplitude>

Range: +30 dBm to -150 dBm

Default Value: -65.0 dBm

Default Unit: Current amplitude unit

Front Panel

Access: **Shift-3** (Sweep), Triggering, Level

6-14 :UNIT Subsystem

The unit subsystem is used to modify the default units used for related parameters. These changes affect parameters in both commands and responses.

Measurement Units

:UNIT:POWer

Description: Sets the default amplitude units for input, output, and display.

Available units: dBm, dBV, dBmV, dBuV, V, W.

Note that linear units are not operational with SPA V3.06. The set command is non-operational with SPA V3.06 as well.

Syntax: :UNIT:POWer DBM|DBV|DBMV|DBUV|V|W
:UNIT:POWer?

Cmd Parameter: <char> DBM|DBV|DBMV|DBUV|V|W

Query Response: <char> DBM|DBV|DBMV|DBUV|V|W

Default Value: dBm

Front Panel

Access: **Amplitude**, Units, (Unit of Measure)

6-15 [[:SENSe] Subsystem

The commands in this subsystem relate to device-specific parameters, not signal-oriented parameters.

ACPR Adjacent Channel Bandwidth

[[:SENSe] :ACPower :BANDwidth | BWIDth :ADJacent

Description: Sets the adjacent channel bandwidth for the ACPR measurement.

Syntax: [[:SENSe] :ACPower :BANDwidth | BWIDth :ADJacent <freq>
[[:SENSe] :ACPower :BANDwidth | BWIDth :ADJacent?

Cmd Parameter: <freq>

Query Response: <freq>

Range: 1 Hz to 9 GHz for MS2036C
1 Hz to 15 GHz for MS2037C
1 Hz to 20 GHz for MS2038C

Default Value: 10.35 MHz

Default Unit: Hz

Front Panel

Access: **Shift-4** (Measure), ACPR, Adj Ch BW

ACPR Main Channel Bandwidth

[[:SENSe] :ACPower :BANDwidth | BWIDth :MAIN

Description: Sets the main channel bandwidth for the ACPR measurement.

Syntax: [[:SENSe] :ACPower :BANDwidth | BWIDth :MAIN <freq>
[[:SENSe] :ACPower :BANDwidth | BWIDth :MAIN?

Cmd Parameter: <freq>

Query Response: <freq>

Range: 1 Hz to 9 GHz for MS2036C
1 Hz to 15 GHz for MS2037C
1 Hz to 20 GHz for MS2038C

Default Value: 10.35 MHz

Default Unit: Hz

Front Panel

Access: **Shift-4** (Measure), ACPR, Main Ch BW

ACPR Channel Spacing

[:SENSe]:ACPower:BANDwidth|BWIDth:SPACing

Description: Sets the channel spacing for the ACPR measurement.

Syntax: [:SENSe]:ACPower:BANDwidth|BWIDth:SPACing <freq>

[:SENSe]:ACPower:BANDwidth|BWIDth:SPACing?

Cmd Parameter: <freq>

Query Response: <freq>

Range: 1 Hz to 9 GHz for MS2036C
1 Hz to 15 GHz for MS2037C
1 Hz to 20 GHz for MS2038C

Default Value: 10.35 MHz

Default Unit: Hz

Front Panel

Access: **Shift-4** (Measure), ACPR, Ch Spacing

ACPR Measurement State

[:SENSe]:ACPower:STATe

Description: Sets the state of the adjacent channel power ratio measurement, ON or OFF. When using :CONFIgure:ACPower, the state is automatically set to ON.

Syntax: [:SENSe]:ACPower:STATe OFF|ON|0|1

[:SENSe]:ACPower:STATe?

Cmd Parameter: <boolean> OFF|ON|0|1

Query Response: <bNR1> 0|1

Default Value: OFF

Front Panel

Access: **NA**

Number of Traces to Average

[:SENSe]:AVERage:COUNT

Description: Sets the number of traces to average.

Syntax: [:SENSe]:AVERage:COUNT <integer>

[:SENSe]:AVERage:COUNT?

Cmd Parameter: <integer>

Query Response: <integer>

Range: 2 to 65535

Default Value: 10

Front Panel

Access: **Shift-5** (Trace), Trace A Operations, # of Averages

Trace Mode (Normal/Average/Max Hold/Min Hold)

[:SENSe]:AVERAge:TYPE

Description: Specifies how successive traces are combined to produce the resulting display value. Setting the TYPE to NONE is the equivalent of setting the trace mode to “Normal→A” on the front panel. The displayed value for a point is the current measured value for that point. Setting the TYPE to SCALAr is the equivalent of setting the trace mode to “Average→A” on the front panel. The displayed value for a point is the average of the last <integer> measured values where <integer> is set by [:SENSe]:AVERAge:COUNT. Setting the TYPE to MAXimum is the equivalent of setting the trace mode to “Max Hold→A” on the front panel. The displayed value for a point is the maximum measured value for that point over sweeps. Setting the TYPE to MINimum is the equivalent of setting the trace mode to “Min Hold→A” on the front panel. The displayed value for a point is the minimum measured value for that point over sweeps.

Syntax: [:SENSe]:AVERAge:TYPE NONE | SCALAr | MAXimum | MINimum
[:SENSe]:AVERAge:TYPE?

Cmd Parameter: <char> NONE | SCALAr | MAXimum | MINimum

Query Response: <char> NONE | SCAL | MAX | MIN

Default Value: NONE

Example: To set the TYPE to SCALAr:

```
:SENSe:AVERAge:TYPE SCALAr
```

To set the TYPE to MAXimum:

```
:SENSe:AVERAge:TYPE MAXimum
```

Related Command: [:SENSe]:AVERAge:COUNT

Front Panel

Access: Shift-5 (Trace), Trace A Operations

Video Bandwidth

[:SENSe]:BANDwidth|BWIDth:VIDeo

Description: Sets the video bandwidth. Note that using this command turns the automatic video bandwidth setting OFF.

Syntax: [:SENSe]:BANDwidth|BWIDth:VIDeo <freq>
[:SENSe]:BANDwidth|BWIDth:VIDeo?

Cmd Parameter: <freq>

Query Response: <freq>

Range: 1 Hz to 3 MHz in a 1:3 sequence

Default Value: 1 MHz

Default Unit: Hz

Related Command: [:SENSe]:BANDwidth|BWIDth:VIDeo:AUTO

Front Panel

Access: **BW**, VBW

Video Bandwidth Coupling

[:SENSe]:BANDwidth|BWIDth:VIDeo:AUTO

Description: Sets the state of the coupling of the video bandwidth to the resolution bandwidth. Setting the value to ON or to 1 results in the video bandwidth being coupled to the resolution bandwidth. That is, when the resolution bandwidth changes, the video bandwidth changes. Setting the value to OFF or to 0 results in the video bandwidth being uncoupled from the resolution bandwidth. That is, changing the resolution bandwidth no longer changes the video bandwidth. When this command is issued, the video bandwidth setting itself does not change, only the coupling is affected. The default value is ON. That is, sending :SENS:BAND:VID:AUTO is equivalent to sending :SENS:BAND:VID:AUTO ON.

Syntax: [:SENSe]:BANDwidth|BWIDth:VIDeo:AUTO OFF|ON|0|1
[:SENSe]:BANDwidth|BWIDth:VIDeo:AUTO?

Cmd Parameter: <boolean> OFF|ON|0|1

Query Response: <bNR1> 0|1

Default Value: ON

Front Panel

Access: **BW**, Auto VBW

Video Bandwidth to Resolution Bandwidth Ratio

[:SENSE]:BANDwidth|BWIDth:VIDeo:RATio

Description: Sets the ratio of the video bandwidth to the resolution bandwidth for use when the video-to-resolution bandwidth coupling is enabled. Note that the front panel interface sets the inverse ratio: the resolution bandwidth to the video bandwidth, which is an integer. In other words, if you send 0.35, then the display shows 2 not 2.857.

Syntax: [:SENSE]:BANDwidth|BWIDth:VIDeo:RATio <number>
[:SENSE]:BANDwidth|BWIDth:VIDeo:RATio?

Cmd Parameter: <number>

Query Response: <number>

Range: 0.00001 to 1

Default Value: 0.33

Related Command: [:SENSE]:BANDwidth|BWIDth:VIDeo:AUTO

Front Panel

Access: **BW**, RBW/VBW (note that this is the inverse ratio)

Video Bandwidth

[:SENSE]:BANDwidth|BWIDth:VIDeo:TYPE

Description: Changes the VBW/Average type.

Syntax: [:SENSE]:BANDwidth|BWIDth:VIDeo:TYPE LOGarithmic|LINear
[:SENSE]:BANDwidth|BWIDth:VIDeo:TYPE?

Default Value: LINear

Related Command: [:SENSE]:BANDwidth|BWIDth:VIDeo:AUTO

Front Panel

Access: **BW**, VBW/Average Type

Resolution Bandwidth

[:SENSe]:BANDwidth|BWIDth[:RESolution]

Description: Sets the resolution bandwidth. Note that using this command turns the automatic resolution bandwidth setting OFF.

Syntax: [:SENSe]:BANDwidth|BWIDth[:RESolution] <freq>
[:SENSe]:BANDwidth|BWIDth[:RESolution]?

Cmd Parameter: <freq>

Query Response: <freq>

Range: 10 Hz to 3 MHz in a 1:3 sequence

Default Value: 3 MHz

Default Unit: Hz

Related Command: [:SENSe]:BANDwidth|BWIDth[:RESolution]:AUTO

Front Panel

Access: **BW**, RBW

Resolution Bandwidth Coupling

[:SENSe]:BANDwidth|BWIDth[:RESolution]:AUTO

Description: Sets the state of the coupling of the resolution bandwidth to the frequency span. Setting the value to ON or to 1 results in the resolution bandwidth being coupled to the span. That is, when the span changes, the resolution bandwidth changes. Setting the value to OFF or to 0 results in the resolution bandwidth being uncoupled from the span. That is, changing the span does not change the resolution bandwidth. When this command is issued, the resolution bandwidth setting itself does not change, only the coupling is affected. The default value is ON. That is, sending :SENS:BAND:RES:AUTO is equivalent to sending :SENS:BAND:RES:AUTO ON.

Syntax: [:SENSe]:BANDwidth|BWIDth[:RESolution]:AUTO OFF|ON|0|1
[:SENSe]:BANDwidth|BWIDth[:RESolution]:AUTO?

Cmd Parameter: <boolean> OFF|ON|0|1

Query Response: <bNR1> 0|1

Default Value: ON

Related Command: [:SENSe]:BANDwidth|BWIDth[:RESolution]:RATio

Front Panel

Access: **BW**, Auto RBW

Resolution Bandwidth to Span Ratio

[:SENSE]:BANDwidth|BWIDth[:RESolution]:RATio

Description: Sets the ratio of the resolution bandwidth to the span for use when the resolution-bandwidth-to-span coupling is enabled. Note that the front panel interface sets the inverse ratio: the span to the resolution bandwidth.

Syntax: [:SENSE]:BANDwidth|BWIDth[:RESolution]:RATio <number>
[:SENSE]:BANDwidth|BWIDth[:RESolution]:RATio?

Cmd Parameter: <number>

Query Response: <number>

Range: 0.00001 to 1

Default Value: 0.00333

Related Command: [:SENSE]:BANDwidth|BWIDth[:RESolution]:AUTO

Front Panel

Access: **BW**, Span/RBW (note that this is the inverse ratio)

Channel Power Integration Bandwidth

[:SENSE]:CHPower:BANDwidth|BWIDth:INTegration

Description: Sets the integration bandwidth for the channel power measurement. Integration bandwidth must be less than or equal to the frequency span.

Syntax: [:SENSE]:CHPower:BANDwidth|BWIDth:INTegration <freq>
[:SENSE]:CHPower:BANDwidth|BWIDth:INTegration?

Cmd Parameter: <freq>

Query Response: <freq>

Range: 10 Hz to 9 GHz for MS2036C
10 Hz to 15 GHz for MS2037C
10 Hz to 20 GHz for MS2038C

Default Value: 10.35 MHz

Default Unit: Hz

Related Command: [:SENSE]:FREQUENCY:SPAN

Front Panel

Access: **Shift-4** (Measure), Channel Power, Ch Pwr Width

Channel Power Measurement State

[:SENSe]:CHPower:STATe

Description: Sets the state of the channel power measurement, ON or OFF. When using :CONFIgure:CHPower, the state is automatically set to ON.

Syntax: [:SENSe]:CHPower:STATe OFF|ON|0|1
[:SENSe]:CHPower:STATe?

Cmd Parameter: <boolean> OFF|ON|0|1

Query Response: <bNR1> 0|1

Default Value: OFF

Related Command: :CONFIgure:ACPower

Front Panel

Access: **Shift-4** (Measure), ACPR, On/Off

Other Input Impedance Loss

[:SENSe]:CORRection:IMPedance[:INPut]:OFFSet

Description: Sets the value that is used for amplitude correction when the value set by [:SENSe]:CORRection:IMPedance[:INPut][:MAGNitude] is something other than 50 or 75. This value is not applied if the impedance is set to either 50 or 75.

Syntax: [:SENSe]:CORRection:IMPedance[:INPut]:OFFSet <rel ampl>
[:SENSe]:CORRection:IMPedance[:INPut]:OFFSet?

Cmd Parameter: <rel ampl>

Query Response: <rel ampl>

Range: 0 dB to 100 dB

Default Value: 0

Default Unit: dB

Related Command: [:SENSe]:CORRection:IMPedance[:INPut][:MAGNitude]

Front Panel

Access: **Shift-8** (System), Application Options, Impedance

Input Impedance

[:SENSE]:CORREction:IMPedance[:INPut][:MAGNitude]

Description: Sets the input impedance that is used for amplitude correction and conversion between units (dBm versus dBV versus Volts, and so forth). If the value of <integer> is 50, then no correction is performed. If the value of <integer> is 75, then correction is based on Anritsu adapter 12N50-75B.

To place the instrument in Other or offset mode, send a 2. After the instrument is in the "Other" mode, the command,

[:SENSE]:CORREction:IMPedance[:INPut]:OFFSet, can be used to adjust the offset.

Syntax: [:SENSE]:CORREction:IMPedance[:INPut][:MAGNitude]
<integer>

[:SENSE]:CORREction:IMPedance[:INPut][:MAGNitude]?

Cmd Parameter: <integer>

Query Response: <integer>

Range: 50 ohm or 75 ohm, all other values are treated as described in command description:

Default Value: 50 ohm

Front Panel

Access: **Shift-8** (System), Application Options, Impedance

Detection Type

[:SENSe]:DETECTOR[:FUNCTION]

Description: Sets the detection method for calculating each display point. Each display point represents several measurements. The detection type determines how the display point is derived from its associated measurements. POSitive Peak detection displays the maximum value of the associated measurements. RMS detection displays the average power of the associated measurements. NEGative Peak detection displays the minimum value of the associated measurements. SAMPlE detection displays the “middle” point of those measurements that are associated with a display point. For example, if 3 measurement frequencies are associated with a given display point, then sample detection displays the value at the frequency of the second measurement point.

Syntax: [:SENSe]:DETECTOR[:FUNCTION]
POSitive | RMS | NEGative | SAMPlE | QUASI
[:SENSe]:DETECTOR[:FUNCTION]?

Cmd Parameter: <char> POSitive | RMS | NEGative | SAMPlE | QUASI

Query Response: <char> POS | RMS | NEG | SAMP

Default Value: (Positive) Peak

Front Panel

Access: **Amplitude**, Detection

Center Frequency

[:SENSE]:FREQUENCY:CENTER

Description: Sets the center frequency. Note that changing the value of the center frequency changes the value of the coupled parameters: Start Frequency and Stop Frequency. It may also change the value of the span.

Syntax: [:SENSE]:FREQUENCY:CENTER <freq>
[:SENSE]:FREQUENCY:CENTER?

Cmd Parameter: <freq>

Query Response: <freq>

Range: 0 Hz and 10 Hz to 9 GHz for MS2036C
0 Hz and 10 Hz to 15 GHz for MS2037C
0 Hz and 10 Hz to 20 GHz for MS2038C

Default Unit: Hz

Default Value: 4.5 GHz for MS2036C
7.5 GHz for MS2037C
10 GHz for MS2038C

Front Panel

Access: **Freq**, Center Freq

Channel Selection

[:SENSE]:FREQUENCY:SIGSTANDARD:CHANNEL

Description: Sets the channel number for the selected signal standard.

Parameter: <number>

Syntax: [:SENSE]:FREQUENCY:SIGSTANDARD:CHANNEL <number>
[:SENSE]:FREQUENCY:SIGSTANDARD:CHANNEL?

Cmd Parameter: <number>

Query Response: <number>

Front Panel

Access: **Freq**, Channel

Signal Standard

[:SENSe]:FREQUENCY:SIGStandard:NAME

Description: Selects the desired signal standard from the list. The <string> argument is the name of the desired signal standard as displayed in the instrument current signal standard list. The list can be displayed on the instrument by pressing the **Signal Standard** soft key in the **Freq** menu. The list can also be downloaded remotely and viewed by using Anritsu Master Software Tools. For example, if the desired Signal Standard is P-GSM 900 - Uplink, then the value of the <string> argument would be "P-GSM 900 - Uplink".

The query form of this command returns the name of the currently-selected Signal Standard on the list.

Syntax: [:SENSe]:FREQUENCY:SIGStandard:NAME <string>
[:SENSe]:FREQUENCY:SIGStandard:NAME?

Cmd Parameter: <string>

Query Response: <string>

Front Panel

Access: **Freq**, Signal Standard

Frequency Span

[:SENSe]:FREQUENCY:SPAN

Description: Sets the frequency span. Setting the value of <freq> to 0 Hz is the equivalent of setting the span mode to zero span. Note that changing the value of the frequency span changes the value of the coupled parameters Start Frequency and Stop Frequency, and may change the Center Frequency.

Syntax: [:SENSe]:FREQUENCY:SPAN <freq>
[:SENSe]:FREQUENCY:SPAN?

Cmd Parameter: <freq>

Query Response: <freq>

Range: 0 Hz to 9 GHz for MS2036C
0 Hz to 15 GHz for MS2037C
0 Hz to 20 GHz for MS2038C

Default Unit: Hz

Default Value: 9 GHz for MS2036C
15 GHz for MS2037C
20 GHz for MS2038C

Front Panel

Access: **Span**

Frequency Span – Full

[:SENSE]:FREQUENCY:SPAN:FULL

Description: Sets the frequency span to full span. Note that changing the value of the frequency span changes the value of the coupled parameters, Start Frequency and Stop Frequency, and may change the Center Frequency.

Syntax: [:SENSE]:FREQUENCY:SPAN:FULL

Query Response: NA (no query)

Default Value: 9 GHz for MS2036C
15 GHz for MS2037C
20 GHz for MS2038C

Front Panel

Access: **Span**, Full Span

Frequency Span – Last

[:SENSE]:FREQUENCY:SPAN:PREVIOUS

Description: Sets the frequency span to the previous span value. Note that changing the value of the frequency span changes the value of the coupled parameters, Start Frequency and Stop Frequency, and may change the Center Frequency.

Syntax: [:SENSE]:FREQUENCY:SPAN:PREVIOUS

Query Response: NA (no query)

Range: 0 Hz and 10 Hz to 9 GHz for MS2036C
0 Hz and 10 Hz to 15 GHz for MS2037C
0 Hz and 10 Hz to 20 GHz for MS2038C

Default Unit: Hz

Front Panel

Access: **Span**, Last Span

Start Frequency

[:SENSe]:FREQuency:STARt

Description: Sets the start frequency. Note that in the spectrum analyzer, changing the value of the start frequency changes the value of the coupled parameters, Center Frequency and Span.

Syntax: [:SENSe]:FREQuency:STARt <freq>
[:SENSe]:FREQuency:STARt?

Cmd Parameter: <freq>

Query Response: <freq>

Range: 0 Hz to 9 GHz for MS2036C
0 Hz to 15 GHz for MS2037C
0 Hz to 20 GHz for MS2038C

Default Value: 0 Hz

Default Unit: Hz

Related Command: [:SENSe]:FREQuency:STOP?

Front Panel

Access: **Freq**, Start Freq

Frequency Step

[:SENSe]:FREQuency:STEP[:INCRement]

Description: Sets the frequency step to the given frequency value.

Syntax: [:SENSe]:FREQuency:STEP[:INCRement] <freq>
[:SENSe]:FREQuency:STEP[:INCRement]?

Cmd Parameter: <freq>

Query Response: <freq>

Range: 1 Hz to 9 GHz for MS2036C
1 Hz to 15 GHz for MS2037C
1 Hz to 20 GHz for MS2038C

Default Value: 1 MHz

Default Unit: Hz

Front Panel

Access: **Freq**, Freq Step

Stop Frequency

[:SENSe]:FREQuency:STOP

Description: Sets the stop frequency. Note that in the spectrum analyzer, changing the value of the stop frequency changes the value of the coupled parameters, Center Frequency and Span.

Syntax: [:SENSe]:FREQuency:STOP <freq>
[:SENSe]:FREQuency:STOP?

Cmd Parameter: <freq>

Query Response: <freq>

Range: 10 Hz to 9 GHz for MS2036C
10 Hz to 15 GHz for MS2037C
10 Hz to 20 GHz for MS2038C

Default Unit: Hz

Default Value: 9 GHz for MS2036C
15 GHz for MS2037C
20 GHz for MS2038C

Front Panel

Access: NA

Field Strength Antenna

[:SENSe]:FSTReNgtH:ANTenna

Description: Selects an antenna from the antenna list to use for field strength measurement result calculations. The <antenna> argument is a 1-based index of the position of the desired antenna in the instrument current antenna list. The list can be displayed on the instrument by choosing the **Antenna** soft key in the **F Strength** menu. For example, if the desired antenna were the third item on the antenna listing, then the value of the <antenna> argument would be 3. Setting the <antenna> argument to 0 indicates that no antenna is selected (the query returns a value of 0 (zero) for NO antenna).

The query form of this command returns the index of the currently-selected antenna.

Syntax: [:SENSe]:FSTReNgtH:ANTenna <antenna>
[:SENSe]:FSTReNgtH:ANTenna?

Cmd Parameter: <antenna>

Query Response: <antenna>

Default Value: 1

Related Command: :CONFIgure:FSTReNgtH

Front Panel

Access: **Shift-4** (Measure), Field Strength, Antenna

Field Strength Measurement State

[:SENSe]:FSTReNgtH:STATe

Description: Sets the state of the field strength measurement, ON or OFF. When using :CONFIgure:FSTReNgtH, the state is automatically set to ON.

Syntax: [:SENSe]:FSTReNgtH:STATe OFF|ON|0|1
[:SENSe]:FSTReNgtH:STATe?

Cmd Parameter: <boolean> OFF|ON|0|1

Query Response: <bNR1> 0|1

Default Value: OFF

Related Command: :CONFIgure:CHPower

Front Panel

Access: **Shift-4** (Measure), Field Strength, On/Off

Occupied Bandwidth Measurement Method

[:SENSE]:OBwidth:METHOD

Description: Sets the method for calculating occupied bandwidth. XDB calculates the occupied bandwidth based on points that are a specified number of dB below the carrier. Issue command [:SENSE]:OBwidth:XDB to set the number of dB to be used. PERCent calculates the occupied bandwidth based on points a specified percentage of the carrier power below the carrier. Issue command [:SENSE]:OBwidth:PERCent to set the percentage to be used.

Syntax: [:SENSE]:OBwidth:METHOD XDB|PERCent
[:SENSE]:OBwidth:METHOD?

Cmd Parameter: <char> XDB|PERCent

Query Response: <char> XDB|PERCent

Default Value: PERCent

Related Command: [:SENSE]:OBwidth:XDB [:SENSE]:OBwidth:PERCent

Front Panel

Access: **Shift-4** (Measure), OCC BW, Method, % Int Pwr|> dBc

Occupied Bandwidth Percent of Power

[:SENSE]:OBwidth:PERCent

Description: This command sets the percentage of carrier power that is used to measure the occupied bandwidth. This value is used in the measurement if :SENSE:OBwidth:METHOD is set to PERCent.

Syntax: [:SENSE]:OBwidth:PERCent <percentage>
[:SENSE]:OBwidth:PERCent?

Cmd Parameter: <percentage>

Query Response: <percentage>

Range: 0% to 100%

Default Value: 99

Default Unit: %

Related Command: [:SENSE]:OBwidth:METHOD

Front Panel

Access: **Shift-4** (Measure), OCC BW, %

Occupied Bandwidth Measurement State

[:SENSe]:OBWidth:STATe

Description: Sets the state of the occupied bandwidth measurement, ON or OFF. When using :CONFigure:OBWidth, the state is automatically set to ON.

Syntax: [:SENSe]:OBWidth:STATe OFF|ON|0|1
[:SENSe]:OBWidth:STATe?

Cmd Parameter: <boolean> OFF|ON|0|1

Query Response: <bNR1> 0|1

Default Value: OFF

Related Command: :CONFigure:OBWidth

Front Panel

Access: **Shift-4** (Measure), OCC BW, On/Off

Occupied Bandwidth dB Down

[:SENSe]:OBWidth:XDB

Description: This command sets the number of dB below the carrier that is used to measure the occupied bandwidth. This value is used in the measurement if :SENSe:OBWidth:METHOD is set to XDB.

Syntax: [:SENSe]:OBWidth:XDB <rel ampl>
[:SENSe]:OBWidth:XDB?

Cmd Parameter: <rel ampl>

Query Response: <rel ampl>

Range: 0 dBc to 100 dBc

Default Value: 3 dBc

Default Unit: dBc

Related Command: [:SENSe]:OBWidth:METHOD

Front Panel

Access: **Shift-4** (Measure), OCC BW, dBc

Input Attenuation

[:SENSE]:POWER[:RF]:ATTenuation

Description: Sets the input attenuation. Note that issuing this command sets the automatic input attenuation OFF.

Syntax: [:SENSE]:POWER[:RF]:ATTenuation <rel ampl>
[:SENSE]:POWER[:RF]:ATTenuation?

Cmd Parameter: <rel ampl>

Query Response: <rel ampl>

Range: 0 dB to 65 dB

Default Value: 30 dB

Default Unit: dB

Related Command: [:SENSE]:POWER[:RF]:ATTenuation:AUTO

Front Panel

Access: **Amplitude**, Atten Lvl

Input Attenuation Coupling

[:SENSE]:POWER[:RF]:ATTenuation:AUTO

Description: Sets the input attenuation coupling. Setting the value to ON or to 1 results in the input attenuation being coupled to the reference level. Setting the value to OFF or to 0 results in the input attenuation being uncoupled from the reference level. That is, changing the reference level does not change the input attenuation. When this command is issued, the input attenuator setting itself does not change, only the coupling is affected. The default value is ON. That is, sending :SENS:POW:ATT:AUTO is equivalent to sending :SENS:POW:ATT:AUTO ON.

Syntax: [:SENSE]:POWER[:RF]:ATTenuation:AUTO OFF|ON|0|1
[:SENSE]:POWER[:RF]:ATTenuation:AUTO?

Cmd Parameter: <boolean> OFF|ON|0|1

Query Response: <bNR1> 0|1

Default Value: ON

Related Command: [:SENSE]:POWER[:RF]:ATTenuation

Front Panel

Access: **Amplitude**, Auto Atten

Preamp State

[:SENSe]:POWer[:RF]:GAIN[:STATe]

Description: Sets the state of the preamplifier (preamp). Note that this may cause a change in the reference level or attenuation or both.

Syntax: [:SENSe]:POWer[:RF]:GAIN[:STATe] OFF|ON|0|1
[:SENSe]:POWer[:RF]:GAIN[:STATe]?

Cmd Parameter: <boolean> OFF|ON|0|1

Query Response: <bNR1> 0|1

Default Value: OFF

Front Panel

Access: **Amplitude**, Pre Amp

Sweep Mode

[SENSe]:SWEep:MODE FAST|PERFORMANCE|NOFFt

Description: Changes the current sweep mode. (For on-screen assistance, use key combination: **Shift-3** (Sweep) > Sweep Mode > Show Help to see information on the specific trade-offs between sweep modes.)

Syntax: [SENSe]:SWEep:MODE FAST|PERFORMANCE|NOFFt
[SENSe]:SWEep:MODE?

Cmd Parameter: FAST|PERFORMANCE|NOFFt

Query Response: FAST|PERF|NOFF

Range: 10 μ s to 600000000 μ s

Default Value: Fast

Default Unit: Seconds

Front Panel

Access: **Shift-3** (Sweep), Sweep Mode

Sweep Status

[:SENSe]:SWEep:STATus?

Description: Returns 1 when the sweep is complete. Returns 0 when the sweep is in progress.

Syntax: [:SENSe]:SWEep:STATus?

Front Panel

Access: None

Minimum Sweep Time

[:SENSE]:SWEep:TIME[:LLIMit]

Description: Sets the value of the minimum sweep time parameter. The sweep is completed in the shortest time possible, greater than the specified time. To sweep as fast as possible, enter the minimum value that is allowed for the sweep time.

Syntax: [:SENSE]:SWEep:TIME[:LLIMit]
[:SENSE]:SWEep:TIME[:LLIMit]?

Range: 10 μ s to 600000000 μ s

Default Value: 1 ms

Default Unit: Seconds

Front Panel

Access: **Shift-3** (Sweep), Sweep Time

Actual Sweep Time

[:SENSE]:SWEep:TIME:ACTual?

Description: Returns the actual sweep time in seconds as opposed to the specified sweep time.

Syntax: [:SENSE]:SWEep:TIME[:LLIMit]?

Cmd Parameter: NA (query only)

Query Response: (seconds)

Front Panel

Access: **Shift-3** (Sweep), Sweep Time

Auto Sweep Time

Description: Toggles Auto Sweep Time.

Syntax: [:SENSE]:SWEep:TIME:AUTO ON|OFF|1|0
[:SENSE]:SWEep:TIME:AUTO?

Cmd Parameter: ON|OFF|1|0

Front Panel

Access: **Shift-3** (Sweep), Auto Sweep Time

Chapter 7 — AM/FM/PM Commands

7-1 Introduction

This chapter describes commands for AM/FM/PM Analyzer mode. Only the commands that are listed in this chapter and in [Chapter 8, “All Mode Commands”](#) can be used in AM/FM/PM Analyzer mode. Using commands from other modes may produce unexpected results.

Notational conventions are described in [Section 2-10 “Command and Query Notational Conventions”](#) on page 2-12.

AM/FM/PM Analyzer Commands

Table 7-1. SPA Commands Subsystems

Keyword	Parameter Data or Units
:CALCulate	“:CALCulate Subsystem” on page 7-2
:DISPlay	“:DISPlay Subsystem” on page 7-6
:FORMat	“:FORMat Subsystem” on page 7-7
:INITiate	“:INITiate Subsystem” on page 7-9
:MMEMory	“:MMEMory Subsystem” on page 7-10
:TRACe	“:TRACe Subsystem” on page 7-13
[:SENSe]	“[:SENSe] Subsystem” on page 7-14

7-2 :CALCulate Subsystem

The commands in this subsystem process data that has been collected via the SENSE subsystem.

:CALCulate:MARKer{1|2|3|4|5|6}[:STATe] OFF|ON|0|1

:CALCulate:MARKer{1|2|3|4|5|6}[:STATe]?

Title: Marker State

Description: Sets the specified marker on/off.

Parameter: OFF|ON|0|1

Parameter Type: <boolean>

Default Value: OFF

Example: To turn off reference marker #1:

```
:CALCulate:MARKer1:STATe OFF
```

Front Panel

Access: Marker, On/Off

:CALCulate:MARKer{1|2|3|4|5|6}:DELTA[:STATe] OFF|ON|0|1

:CALCulate:MARKer{1|2|3|4|5|6}:DELTA[:STATe]?

Title: Delta Marker State

Description: Sets the specified delta marker on or off.

Parameter: OFF|ON|0|1

Parameter Type: <boolean>

Default Value: OFF

Example: To turn on delta marker #3:

```
:CAL1Culate:MARKer3:DELTA ON
:CALCulate:MARKer3:DELTA 1
:CALCulate:MARKer3:DELTA:STATe ON
:CALCulate:MARKer3:DELTA:STATe 1
```

To turn off delta marker #6

```
:CALCulate:MARKer6:DELTA OFF
:CALCulate:MARKer6:DELTA:STATe OFF
:CALCulate:MARKer6:DELTA:STATe 0
```

Front Panel

Access: Marker, Delta

```
:CALCulate:MARKer{1|2|3|4|5|6}:DELTA:X <x-parameter>  
:CALCulate:MARKer{1|2|3|4|5|6}:DELTA:X?
```

Title: Delta Marker X Value

Description: Sets the location of the delta marker on the x-axis at the specified location
<x-parameter> plus the reference marker x-axis. <x-parameter> is defined in the current x-axis units. The query version of the command returns the location of the delta marker on the x-axis.

Parameter: <x-parameter>

Default Unit: Hz or seconds if in Audio Waveform.

Example: If both the reference and delta marker #1 is currently at 1 GHz on the x-axis, send the command below to set the delta marker #1 to 2 GHz on the x-axis:

```
:CALCulate:MARKer1:DELTA:X 1GHz
```

(In Audio Waveform) If both the reference and delta marker #1 is currently at 25 μ s on the x-axis, send the command below to set the delta marker to 50 μ s on the x-axis:

```
:CALCulate:MARKer1:DELTA:X 25 $\mu$ s
```

Related Command: :CALCulate:MARKer [1] | 2 | 3 | 4 | 5 | 6 :X

Front Panel

Access: Marker, Delta

```
:CALCulate:MARKer{1|2|3|4|5|6}:DELTA:Y?
```

Title: Delta Marker Read Y Value

Description: In RF spectrum view, the value is returned in dBm. In Audio Spectrum or Audio Waveform view, the value is returned in % for AM, Hz for FM and Radians for PM.

Default Unit: Current y-axis unit

```
:CALCulate:MARKer{1|2|3|4|5|6}[:SET]:CENTER
```

Title: Marker Frequency to Center

Description: In RF spectrum view, this command sets the center frequency equal to the frequency of the specified marker. Note that this will result in a change to the start and stop frequencies and may also result in a change to the span. Note that this command is not valid in Audio Spectrum, Audio Waveform and Summary view.

Front Panel

Access: Marker, Marker Freq to Center

:CALCulate:MARKer{1|2|3|4|5|6}:MAXimum

Title: Marker (Maximum) Peak Search

Description: Puts the specified marker at the maximum amplitude in the trace.

Front Panel

Access: Marker, Marker [1/2/3/4/5/6], Peak Search
Marker, Marker [1/2/3/4/5/6], More Peak Options, Peak Search

:CALCulate:MARKer{1|2|3|4|5|6}[:SET]:RLEVEL

Title: Marker to Reference Level

Description: Sets the reference level equal to the measured amplitude of the specified marker. Note that this may result in a change to the input attenuation. Note that this command is not valid in Audio Spectrum, Audio Waveform and Summary view.

Front Panel

Access: Marker, Marker to Ref Lvl

:CALCulate:MARKer{1|2|3|4|5|6}:X <x-parameter>**:CALCulate:MARKer{1|2|3|4|5|6}:X?**

Title: Marker X Value

Description: Sets the location of the marker on the x-axis at the specified location. <x-parameter> is defined in the current x-axis units. The query version of the command returns the location of the marker on the x-axis. Note that the marker is snapped to the data point closest to the specified value. If the specified marker is not on it is set to on.

Parameter: <x-parameter>

Default Unit: Hz or seconds if in Audio Waveform.

Example: To set reference marker #2 to 5 hertz on the x-axis:

```
:CALCulate:MARKer2:X 5
:CALCulate:MARKer2:X 5Hz
```

To set reference marker #1 to 1.5 GHz on the x-axis:

```
:CALCulate:MARKer:X 1.5GHz
:CALCulate:MARKer1:X 1.5GHz
```

(In Audio Waveform) To set reference marker #3 to 1.5 milli-seconds on the x-axis:

```
:CALCulate:MARKer3:X .0015
:CALCulate:MARKer3:X 1.5ms
```

:CALCulate:MARKer{1|2|3|4|5|6}:Y?

Title: Marker Read Y Value

Description: In RF spectrum view, the value is returned in dBm. In Audio Spectrum or Audio Waveform view, the value is returned in % for AM, Hz for FM and Radians for PM.

Default Unit: Current y-axis unit

:CALCulate:MARKer:AOff

Title: Turn All Markers Off

Description: Turns off all markers.

Front Panel

Access: Marker, More, All Markers Off

:CALCulate:MARKer:TABLE[:STATe] OFF|ON|0|1

:CALCulate:MARKer:TABLE[:STATe]?

Title: Marker Table State

Description: Turns the Marker Table on or off. Setting the value to ON or 1 will turn on the marker table. Setting the value to OFF or 0 will turn off the marker table.

Parameter: OFF|ON|0|1

Parameter Type: <boolean>

Default Value: OFF

Example: To turn on marker table:

```
:CALCulate:MARKer:TABLE ON
```

```
:CALCulate:MARKer:TABLE 1
```

7-3 :DISPlay Subsystem

This subsystem provides commands that modify the display of data for the user. They do not modify the way in which data are returned to the controller.

:DISPlay:WINDow:TRACe:Y[:SCALe]:PDIVision <rel ampl>

:DISPlay:WINDow:TRACe:Y[:SCALe]:PDIVision?

Title: Scale

Description: Sets the scale (dB/division) for the y-axis in RF Spectrum view.

Parameter: <rel ampl>

Default Value: 10 dB/div

Default Unit: dB

Range: 1 dB to 15 dB

Front Panel

Access: Amplitude, Scale

:DISPlay:WINDow:TRACe:Y:AFPanalyzer:PWR:OFFSet <rel ampl>

:DISPlay:WINDow:TRACe:Y:AFPanalyzer:PWR:OFFSet?

Title: Power Offset

Description: Sets the power offset value for the y-axis in RF Spectrum view.

Parameter: <rel ampl>

Default Value: 0 dB

Default Unit: dB

Range: -100 dB to 100 dB

Front Panel

Access: Amplitude, Power Offset

7-4 :FORMat Subsystem

This subsystem contains commands that determine the formatting of numeric data when it is transferred. The format setting affects data in specific commands only. If a command is affected, it is noted in the command description.

**:FORMat[:READings][:DATA] ASCii|INTeger,32|REAL,[<length>]
:FORMat[:READings][:DATA]?**

Title: Numeric Data Format

Description: This command specifies the format in which data is returned in certain commands. The optional <length> parameter is needed for REAL format only. It defines the length of the floating point number in bits. Valid values are 32 and 64. If no length is specified, the default length of REAL data is set to 64 bits.

ASCii format returns the data in comma-separated ASCII format. The units are dBm for RF Spectrum, % for AM Audio Spectrum/Waveform, Hz for FM Audio Spectrum/Waveform, Radians for PM Audio Spectrum/Waveform.

This format requires many more bytes so it is the slowest format.

INTeger,

32 values are signed 32-bit integers in little-endian byte order. This format

returns the data in 4-byte blocks. The units are mdBm for RF Spectrum, 1000*% for AM Audio Spectrum/Waveform, Hz for FM Audio Spectrum/Waveform, milli-Radians for PM Audio Spectrum/Waveform.

For example, if the measured result was -12.345 dBm, that value would be sent as -12345. REAL,32 values are 32-bit floating point numbers conforming to the IEEE 754 standard in little-endian byte order. This format returns the data in 4-byte binary format. The units are dBm for RF Spectrum, % for AM Audio Spectrum/Waveform, Hz for FM Audio Spectrum/Waveform, Radians for PM Audio Spectrum/Waveform.

REAL,64 values are 64-bit floating point numbers conforming to the IEEE 754 standard in little-endian byte order. This format returns the data in 8-byte binary format. The units are dBm for RF Spectrum, % for AM Audio Spectrum/Waveform, Hz for FM Audio Spectrum/Waveform, Radians for PM Audio Spectrum/Waveform.

(continued on next page)

Both INTeger and REAL formats return a definite block length. Each transfer begins with an ASCII header such as #42204 for INTeger,32 and REAL,32 and #44408 for REAL,64. The first digit represents the number of following digits in the header (in this example, 4). The remainder of the header indicates the number of bytes that follow the header (in this example, 2204 for INT,32 and REAL,32 and 4408 for REAL,64). Divide the number of following bytes by the number of bytes in the data format chosen (4 for both INTeger,32 and REAL,32, and 8 for REAL,64) to get the number of data points (in this example, 551).

Parameter: ASCii | INTeger,32 | REAL,[<length>]

Parameter Type: <char>

Default Value: ASCii

Related Command: :TRACe [:DATA]

7-5 :INITiate Subsystem

This subsystem controls the triggering of measurements.

:INITiate[:IMMEDIATE]

Title: Trigger Sweep/Measurement

Description: Initiates a sweep/measurement. If :INITiate:CONTinuous is set to ON, this command is ignored. Use this command in combination with :STATus:OPERation? to synchronize the capture of one complete set of data. When this command is sent, the “sweep complete” bit of :STATus:OPERation? is set to 0, indicating that the measurement has not completed. The data collection is then triggered. The controlling program can poll :STATus:OPERation? to determine the status. When the “sweep complete” bit is set to 1, data is ready to be retrieved. An :INITiate[:IMMEDIATE] command must be issued for each additional sweep desired.

Related Command: :INITiate:CONTinuous
:STATus:OPERation?

Front Panel

Access: Shift-3 (Sweep), Manual Trigger

:INITiate:CONTinuous OFF | ON | 0 | 1 **:INITiate:CONTinuous?**

Title: Continuous/Single Sweep

Description: Specifies whether the sweep/measurement is triggered continuously. If the value is set to ON or 1, another sweep/measurement is triggered as soon as the current one completes. If continuous is set to OFF or 0, the instrument enters the “idle” state and waits for the :INITiate[:IMMEDIATE] command or for :INITiate:CONTinuous ON. The default value is ON. That is, sending :INIT:CONT is equivalent to sending :INIT:CONT ON. The query version of the command returns a 1 if the instrument is continuously sweeping/measuring and returns a 0 if the instrument is in single sweep/measurement mode. Note that rapid toggling between ON and OFF is not allowed. The instrument must be allowed to make a full sweep before toggling can be done.

Parameter: OFF | ON | 0 | 1

Parameter Type: <boolean>

Default Value: ON

Related Command: :INITiate[:IMMEDIATE]

Front Panel

Access: Shift-3 (Sweep), Sweep

7-6 :MMEMory Subsystem

The Mass Memory subsystem contains functions that provide access to the instrument's setup and data storage.

:MMEMory:DELeTe <file name>

Title: Delete Setup/Measurement

Description: Removes the measurement or setup file specified by <file name> from the current mass storage device. <file name> should be enclosed in either single quotes (') or double quotes ("). It should contain one of the following file extensions:

“.stp” for setup

“.spa” for SPA measurement

“.mwvna” for Vector Network Analyzer measurements

“.ia” for Interference Analysis measurements

“.cs” for Channel Scanner measurements

“.afp” for AMFM/PM Analyzer measurements

Use the command MMEMory:MSIS to set the current save location.

Parameter: <file name>

Related Command: :MMEMory:STORE:STATe
:MMEMory:STORE:TRACe
:MMEMory:MSIS INTernal | USB

Front Panel

Access: Shift-7 (File), Delete, Delete Selected File

:MMEMory:LOAD:STATe <integer>,<file name>

Title: Recall Setup

Description: Recalls a previously stored instrument setup in the current save location. The setup file to be loaded is specified by <file name>. <file name> should be enclosed in either single quotes (') or double quotes (") and should contain a file extension “.stp”. Use the command MMEMory:MSIS to set the current save location. The <integer> parameter is not currently used, but it must be sent. Send a 1.

Parameter: <integer>, <file name>

Related Command: :MMEMory:STORE:STATe
:MMEMory:MSIS INTernal | USB

Front Panel

Access: Shift-7 (File), Recall

:MMEMory:LOAD:TRACe <integer>,<file name>

Title: Recall Measurement

Description: The instrument must be in the mode of the saved trace in order to recall that trace. Use :INSTrument:SELEct or :INSTrument:NSELEct to set the mode. Recalls a previously stored measurement trace from the current save location. The saved measurement trace to be loaded is specified by <file name>. <file name> should be enclosed in either single quotes (') or double quotes (" ") and should contain a file extension. Note that the trace specified by <file name> should be available at the current save location.

Use the command MMEMory:MSIS to set the current save location. The <integer> parameter is not currently used, but it must be sent. Send a 1.

File name extensions:

“.spa” for SPA

“.mwvna” for Vector Network Analyzer

“.ia” for Interference Analysis

“.cs” for Channel Scanner

“.afp” for AMFMPM Analyzer measurements

Note: Extensions not available for T1 and Hi_PM.

Parameter: <integer>, <file name>

Example: To recall trace with file name “trace”:

```
:MMEMory:LOAD:TRACe 1, "trace.spa"
```

Related Command: :MMEMory:STORe:TRACe
:MMEMory:MSIS INTernal|USB

Front Panel

Access: Shift-7 (File), Recall Measurement

:MMEMory:STORe:STATe <integer>,<file name>

Title: Save Setup

Description: Stores the current setup into the file specified by <file name>. <file name> should be enclosed in either single quotes (') or double quotes (" ") and should not contain a file extension. Use the command MMEMory:MSIS to set the current save location. The <integer> parameter is not currently used, but it must be sent. Send a value of 0.

Parameter: <integer>, <file name>

Related Command: :MMEMory:LOAD:STATe
:MMEMory:MSIS INTernal|USB

Front Panel

Access: Shift-7 (File)

:MMEMemory:STORe:TRACe <integer>,<file name>

Title: Save Measurement

Description: Stores the trace into the file specified by <file name>. <file name> should be enclosed in either single quotes (') or double quotes ("") and should not contain a file extension. Use the command MMEMemory:MSIS to set the current save location. The <integer> parameter is not currently used, but it must be sent. Send a 0.

Parameter: <integer>, <file name>

Example: To save the trace into the file name "trace":

```
:MMEMemory:STORe:TRACe 0,"trace"
```

Related Command: :MMEMemory:LOAD:TRACe
:MMEMemory:MSIS INTernal|USB

Front Panel

Access: Shift-7 (File), Save

7-7 :TRACe Subsystem

This subsystem contains commands related to the transfer of trace data to and from the instrument.

:TRACe [:DATA] ?

Title: Trace Data Transfer

Description: This command transfers data from the controlling program to the instrument. The query form transfers trace data from the instrument to the controller. Data is transferred to the instrument enclosed in parentheses as (<header><block>) and from the instrument as <header><block>.

The ASCII header specifies the number of data bytes. It looks like #AX, where A is the number of digits in X and X is the number of bytes in the <block>. The format of the block data in the query form is specified by :FORMat:DATA. The block data in the command form is always sent in ASCII format.

To acquire the data from the trace in the instrument, send :TRACe[:DATA]?. A 551 point trace is returned as #42204<block data>. <block> data could be in either INTeger,32 or REAL,32 format. In both cases, there is 4 bytes per data point. So, 4 bytes per point * 551 data points gives 2204 bytes in <block> data. This example assumes that :FORMat:DATA INTeger,32 or :FORMat:DATA REAL,32 has been sent to the instrument before the query command is sent.

The query command will return a #0 if data is invalid for the active trace.

Related Command: :FORMat :DATA

7-8 [[:SENSe] Subsystem

The commands in this subsystem relate to device-specific parameters, not signal-oriented parameters.

[[:SENSe]:AFPanalyzer:AVERage:COUNT <avg count>

[[:SENSe]:AFPanalyzer:AVERage:COUNT?

Title: Measurement Average

Description: Sets the average count for the measurement data in the summary mode. The query format of this command returns the value only in the summary mode. The query format returns nothing in other measurement modes.

Parameter: <number>

Range: 1 to 65535

Front Panel

Access: Shift-4 (Measure), Average (only in Summary mode)

[[:SENSe]:AFPanalyzer:DEMod:DATA?

Title: Summary data

Description: This query returns the measurement values in the Summary view. The order of the values are as follows:

<Modulation rate> in Hz, <RMS Deviation> in % or Hz or Rad depending on the demod type, <Peak-Peak/2 Dev> in % or Hz or Rad depending on the demod type, <SINAD> in dB, <THD> in % and <Distortion> in %. All values are comma separated.

Front Panel

Access: Shift-4 (Measure), Audio Spectrum/Waveform.

[[:SENSe]:AFPanalyzer:DEMod:MODE RFSP | AFSP | AFWV | SUMMARY

[[:SENSe]:AFPanalyzer:DEMod:MODE?

Title: Demodulation Mode

Description: This command sets the demodulation mode(graph type) to RF spectrum(RFSP) or Audio Spectrum(AFSP) or Audio Waveform (AFWV) or Summary.

Parameter: RFSP | AFSP | AFWV | SUMMARY

Default Value: RFSP

Example: To set the demodulation mode to Audio Waveform:

```
SENSe:AFPanalyzer:DEMod:MODE AFWV
```

Front Panel

Access: Shift-4 (Measure).

[:SENSE]:AFPanalyzer:DEMod:TYPE AM|FM|PM

[:SENSE]:AFPanalyzer:DEMod:TYPE?

Title: Demodulation Type

Description: This command sets the demodulation type.

Parameter: AM|FM|PM

Default Value: AM

Example: To set the demodulation type to FM:

```
SENSE:AFPanalyzer:DEMod:TYPE FM
```

Front Panel

Access: Setup, Demod Type

[:SENSE]:AFPanalyzer:FM:SCALE <percentage>

[:SENSE]:AFPanalyzer:FM:SCALE?

Title: FM Y-axis reference level percentage

Description: This command sets the Y-axis reference level as the percentage of the IF bandwidth in the FM Audio spectrum/waveform display.

Parameter: <percentage>

Default Value: 50

Default Unit: %

Range: 0% to 100%

Front Panel

Access: Shift-4 (Measure), Audio Spectrum/Waveform, Scale: % IFBW

[:SENSE]:AFPanalyzer:IFBW <freq>

[:SENSE]:AFPanalyzer:IFBW?

Title: IF bandwidth

Description: Sets the IF bandwidth. Note that using this command turns the automatic IF bandwidth setting OFF.

Parameter: <freq>

Default Value: 300 kHz

Default Unit: Hz

Range: 1 kHz to 300 kHz in a 1:3 sequence

Related Command: [:SENSE]:AFPanalyzer:IFBW:AUTO

Front Panel

Access: Setup, IFBW

[:SENSe]:AFPanalyzer:IFBW:AUTO 0 | 1

[:SENSe]:AFPanalyzer:IFBW:AUTO?

Title: IF bandwidth coupling

Description: Sets the state of the coupling of the IF bandwidth to the span. Setting the value to 1 will result in the IF bandwidth being coupled to the span. That is, when the span changes, the IF bandwidth changes. Setting the value to 0 will result in the IF bandwidth being un-coupled from the span. That is, changing the span will not change the IF bandwidth.

Parameter: 0 | 1

Parameter Type: <boolean>

Default Value: 1

Front Panel

Access: Setup, Auto IFBW

[:SENSe]:AFPanalyzer:PM:SCALE <Radians>

[:SENSe]:AFPanalyzer:PM:SCALE?

Title: PM Y-axis reference level

Description: This command sets the Y-axis reference level in the PM Audio spectrum/waveform display.

Parameter: <number>

Default Value: 3.140

Range: 3.140 to 3140

Front Panel

Access: Shift-4 (Measure), Audio Spectrum/Waveform, Scale: milli-Rad

[:SENSe]:AFPanalyzer:RFSpectrum:DATA?

Title: Summary data

Description: This query returns the measurement values in the RF spectrum view. The order of the values are as follows:

<carrier power> in dBm, <carrier freq> in Hz, <Occ BW> in Hz. All values are comma separated.

Front Panel

Access: Shift-4 (Measure), RF Spectrum.

[:SENSE]:AFPanalyzer:SPAN <freq>

[:SENSE]:AFPanalyzer:SPAN?

Title: Audio Frequency Span

Description: Sets the audio frequency span in the audio spectrum view. Valid values are 2 kHz, 5 kHz, 10 kHz, 20 kHz and 70 kHz.

Parameter: <freq>

Default Unit: Hz

Front Panel

Access: Shift-4 (Measure), Audio Spectrum, Span

[:SENSE]:AFPanalyzer:SWEep:TIME <time>

[:SENSE]:AFPanalyzer:SWEep:TIME?

Title: Audio Waveform sweep time

Description: Sets the audio waveform sweep time in the audio waveform view.

Parameter: <time>

Default Unit: Secs

Range: 50 μ s to 50 ms.

Front Panel

Access: Shift-4 (Measure), Audio Waveform, Sweep Time

[:SENSE]:AFPanalyzer:SUMMARY:DATA?

Title: Summary data

Description: This query returns the measurement values in the Summary view. The order of the values are as follows:

<demod type> (AM | FM | PM), <RMS Deviation> in % or Hz or Rad depending on the demod type, <Peak+ Deviation> in % or Hz or Rad depending on the demod type, <Peak-Dev> in % or Hz or Rad depending on the demod type, <Peak-Peak/2 Dev> in % or Hz or Rad depending on the demod type, <carrier power> in dBm, <carrier freq> in Hz, <Occ BW> in Hz, <Modulation rate> in Hz, <SINAD> in dB, <THD> in % and <Distortion> in %. All values are comma separated.

Front Panel

Access: Shift-4 (Measure), Summary.

[:SENSe]:FREQuency:CENTer <freq>

[:SENSe]:FREQuency:CENTer?

Title: Center Frequency

Description: Sets the center frequency. Note that changing the value of the center frequency may also change the value of the span.

Parameter: <freq>

Default Unit: Hz

Front Panel

Access: Freq, Center Freq

[:SENSe]:FREQuency:SIGStandard:CHANnel <number>

[:SENSe]:FREQuency:SIGStandard:CHANnel?

Title: Channel Selection

Description: Sets the channel number for the selected signal standard.

Parameter: <number>

Front Panel

Access: Freq, Channel

[:SENSe]:FREQuency:SIGStandard:NAME <string>

[:SENSe]:FREQuency:SIGStandard:NAME?

Title: Signal Standard

Description: Selects the desired signal standard from the list. The <string> argument is the name of the desired signal standard as displayed in the instrument's current signal standard list. The list can be displayed on the instrument by choosing the Signal Standard submenu button in the Freq menu. The list can also be downloaded remotely and viewed using Anritsu Master Software Tools. For example, if the desired Signal Standard is:

P-GSM 900 - Uplink then the value of the <string> would be "P-GSM 900 - Uplink".

The query form of this command will return the name of the currently selected Signal Standard on the list.

Parameter: <string>

Front Panel

Access: Freq, Signal Standard

[:SENSe]:FREQUENCY:SPAN <freq>

[:SENSe]:FREQUENCY:SPAN?

Title: Frequency Span

Description: Sets the frequency span. Minimum value and the maximum value are 10 kHz and 10 MHz respectively. Note that changing the value of the frequency span may change the Center Frequency.

Parameter: <freq>

Default Unit: Hz

Front Panel

Access: Freq, Span

[:SENSe]:FREQUENCY:SPAN:FULL

Title: Frequency Span – Full

Description: Sets the frequency span to maximum span (10 MHz). Note that changing the value of the frequency span may change the Center Frequency.

Front Panel

Access: Freq, Span, Max Span

[:SENSe]:FREQUENCY:SPAN:MINimum

Title: Frequency Span – Minimum

Description: Sets the frequency span to minimum span (10 kHz). Note that changing the value of the frequency span may change the Center Frequency.

Front Panel

Access: Freq, Span, Min Span

[:SENSe]:FREQUENCY:SPAN:PREVIOUS

Title: Frequency Span – Last

Description: Sets the frequency span to the previous span value. Note that changing the value of the frequency span may change the Center Frequency.

Default Unit: Hz

Front Panel

Access: Freq, Span, Last Span

[:SENSe]:FREQuency:STEP[:INCRement] <freq>

[:SENSe]:FREQuency:STEP[:INCRement]?

Title: Frequency Step

Description: Sets the frequency step to the given frequency value.

Parameter: <freq>

Default Value: 1 MHz

Default Unit: Hz

Range: 1 Hz to 9 GHz for MS2036C
1 Hz to 15 GHz for MS2037C
1 Hz to 20 GHz for MS2038C

Front Panel

Access: Freq, Freq Step

[:SENSe]:OBWidth:METHOD XDB|PERCent

[:SENSe]:OBWidth:METHOD?

Title: Occupied Bandwidth Measurement Method

Description: Sets the method for calculating occupied bandwidth. XDB calculates the occupied bandwidth based on points a specified number of dB below the carrier. Issue command [:SENSe]:OBWidth:XDB to set the number of dB to be used. PERCent calculates the occupied bandwidth based on points a specified percentage of the carrier power below the carrier. Issue command [:SENSe]:OBWidth:PERCent to set the percentage to be used.

Parameter: XDB|PERCent

Parameter Type: <char>

Default Value: PERCent

Related Command: [:SENSe]:OBWidth:XDB [:SENSe]:OBWidth:PERCent

Front Panel

Access: Shift-4 (Measure), RF Spectrum, Occ BW Method

[:SENSE]:OBWidth:PERCent <percentage>

[:SENSE]:OBWidth:PERCent?

Title: Occupied Bandwidth Percent of Power

Description: This command sets the percentage of carrier power used to measure the occupied bandwidth. This value is used in the measurement if :SENSE:OBWidth:METHOD is set to PERCent.

Parameter: <percentage>

Default Value: 99

Default Unit: %

Range: 0% to 100%

Related Command: [:SENSE]:OBWidth:METHOD

Front Panel

Access: Shift-4 (Measure), RF Spectrum, %

[:SENSE]:OBWidth:XDB <rel ampl>

[:SENSE]:OBWidth:XDB?

Title: Occupied Bandwidth dB Down

Description: This command sets the number of dB below the carrier used to measure the occupied bandwidth. This value is used in the measurement if :SENSE:OBWidth:METHOD is set to XDB.

Parameter: <rel ampl>

Default Value: 3 dBc

Default Unit: dBc

Range: 0 to 100 dBc

Related Command: [:SENSE]:OBWidth:METHOD

Front Panel

Access: Shift-4 (Measure), RF Spectrum, dBc

Chapter 8 — All Mode Commands

8-1 Introduction

The commands that are listed in this chapter are functional in the following instrument modes of operation:

- Vector Network Analyzer
- Spectrum Analyzer
- Vector Voltmeter
- Power Monitor

Notational conventions are described in [Section 2-10 “Command and Query Notational Conventions”](#) on page 2-12.

8-2 All Mode Commands

Table 8-1. All Mode Commands Subsystems

Keyword	Parameter Data or Units
:INSTRument	Refer to “:INSTRument Subsystem” on page 8-2
:MMEMory	Refer to “:MMEMory Subsystem” on page 8-5
:SYSTem	Refer to “:SYSTem Subsystem” on page 8-10
:SENSe:GPS	Refer to “[:SENSe]:GPS Subsystem” on page 8-12
:FETCh:GPS	Refer to “:FETCh:GPS Subsystem” on page 8-13

8-3 :INSTRUMENT Subsystem

One instrument may contain many logical instruments (“modes”). This subsystem controls the selection of the current instrument mode.

Query Available Modes

:INSTRUMENT:CATALOG:FULL?

Description: Returns a comma-separated list of available modes. Mode names are enclosed in double quotes (“”). The application number immediately follows the string name. For example: “HI_PM”10, “MWVNA”26

Syntax: :INSTRUMENT:CATALOG:FULL?

Cmd Parameter: NA (query only)

Query Response: NA (comma separated list)

Front Panel

Access: **Shift-9** (Mode)

Select Mode by Number

:INSTRUMENT:NSELECT

Description: Sets the instrument mode based on the value of <integer>. The query version returns the number that is associated with the current mode. Use :INSTRUMENT:CATALOG:FULL? to get a list of available mode names and their integer representations.

Syntax: :INSTRUMENT:NSELECT <integer>
:INSTRUMENT:NSELECT?

Cmd Parameter: <NR1> (integer)

- 1 = SPA (Spectrum Analyzer mode)
- 10 = HI_PM (High Accuracy Power Meter mode, Option 19)
- 14 = IA (Interference Analysis, Option 25)
- 15 = CS (Channel Scanner, Option 27)
- 26 = MWVNA (Vector Network Analyzer mode)
- 30 = AMFMPM (AM/FM/PM mode, Option 509)
- 101 = Power Monitor (Power Monitor mode, Option 5)
- 102 = VVM (Vector Voltmeter mode, Option 15)

Query Response: <NR1> (integer)

- 1 = SPA (Spectrum Analyzer mode)
- 10 = HI_PM (High Accuracy Power Meter mode, Option 19)
- 14 = IA (Interference Analysis, Option 25)
- 15 = CS (Channel Scanner, Option 27)
- 26 = MWVNA (Vector Network Analyzer mode)
- 101 = Power Monitor (Power Monitor mode, Option 5)
- 102 = VVM (Vector Voltmeter mode, Option 15)

Related Command: :INSTRUMENT:CATALOG:FULL?
:INSTRUMENT[:SELECT]
:STATUS:OPERATION?

Front Panel

Access: **Shift-9** (Mode)

Note

Switching modes can take longer than 60 seconds, depending on the application. Anritsu Company advises you to set the remote PC time-out to 120 seconds in order to avoid unexpected time-out errors.

Select Mode by Name

:INSTRUMENT [:SELECT]

Description: Sets the instrument mode based on the mode name that is specified by <string>. The query version returns the name of the current mode. Use :INSTRUMENT:CATALOG:FULL? to get a list of available modes. For Power Monitor, use "Power Monitor", and for Vector Voltmeter, use "VVM".

Syntax: :INSTRUMENT[:SELECT] <string>
:INSTRUMENT[:SELECT]?

Cmd Parameter: <string> SPA|HI_PM|IA|CS|MWVNA|Power Monitor|VVM

SPA = Spectrum Analyzer
HI_PM = High Accuracy Power Meter, Option 19
IA = Interference Analysis, Option 25
CS = Channel Scanner, Option 27
MWVNA = Vector Network Analyzer
AMFMPM = AM/FM/PM mode, Option 509
Power Monitor = Power Monitor, Option 5
VVM = Vector Voltmeter, Option 15

Query Response: <string> SPA|HI_PM|IA|CS|MWVNA|Power Monitor|VVM

SPA = Spectrum Analyzer
HI_PM = High Accuracy Power Meter, Option 19
IA = Interference Analysis, Option 25
CS = Channel Scanner, Option 27
MWVNA = Vector Network Analyzer
AMFMPM = AM/FM/PM mode, Option 509
Power Monitor = Power Monitor, Option 5
VVM = Vector Voltmeter, Option 15

Related Command: :INSTRUMENT:CATALOG:FULL?
:INSTRUMENT:NSELECT

Front Panel

Access: **Shift-9** (Mode)

Note Switching modes can take longer than 60 seconds, depending on the application. Anritsu Company advises you to set the remote PC time-out to 120 seconds in order to avoid unexpected time-out errors.

8-4 :MMEMory Subsystem

The Mass Memory subsystem contains functions that provide access to the instrument setup and data storage.

Table 8-2. :MMEMory Subsystem

Keyword	Parameter Form	Parameter Data or Units	Notes
:MMEMory			
:MSIS?		Refer to “:MMEMory:MSIS Subsystem” on page 8-7	
:MSIS		Refer to “:MMEMory:MSIS Subsystem” on page 8-7	
:STORE		Refer to “:MMEMory:STORE Subsystem” on page 8-9	

Transfer Data

:MMEMory:DATA?

Description: Transfers the data stored in the given file from the instrument to the controlling program. Data is transferred in the form of <header><block>. The ASCII <header> specifies the number of data bytes. It appears as #AX, where A is the number of digits in X, and X is the number of bytes in <block>.

<file name> should be enclosed in either single quotes (‘ ’) or double quotes (“ ”) and should contain a file extension (.jpg, for example). The file must not be larger than 524288 bytes. Use the command :MMEMory:MSIS to set the current save location.

Syntax: :MMEMory:DATA? <file name>

Cmd Parameter: NA (query only)

Query Response: <string> <file name>

Related Command: :MMEMory:MSIS INTernal|USB

Front Panel

Access: NA

Delete Data/Location

:MMEMemory:DELeTe

Description: This command deletes a file. <file name> must be enclosed in either single quotes (') or double quotes (" ") and must include the file extension.

Syntax: :MMEMemory:DELeTe <file name>

Cmd Parameter: <string> <file name>

Query Response: **NA** (no query)

Front Panel

Access: **Shift-7** (File), Delete, Select or De-Select, Delete

8-5 :MMEMory:MSIS Subsystem

The Mass Memory “Mass Storage Is” subsystem contains commands for selecting a mass storage device that is used by all of the :MMEMory commands.

Save Location

:MMEMory:MSIS INTernal | USB

:MMEMory:MSIS?

Description: Sets the instrument’s internal memory or the USB Flash drive as the save location for all subsequently saved files. This command also determines the destination location for copied files. For example, selecting internal memory as the current save location will set the USB Flash drive as the destination for copied files, and vice-versa.

Note that the save location specified here applies to remote operation. It is independent of and can be different from the save location set via the instrument front panel. The query form of this command returns the save location setting for remote operation, not the front panel setting.

Commands to load, store (save), or copy data will fail if the current save location is not available. This is the case if the USB drive is selected and no USB device is plugged into the instrument. Commands will also fail if internal memory is set as the output location while Option 7 (Secure Data Operation) is enabled, which allows files to be written only to the USB drive.

Before setting the save location, send the :SYSTem:MSIS? USB command to query the ready state of the USB Flash drive.

Cmd Parameter: INTernal | USB

Query Response: INT | USB

Parameter Type: <char>

Related Command: :MMEMory:MSIS:DESTination
:SYSTem:MSIS [:STATe] ?

Front Panel Access: **Shift-7 (File)**, Save, Change Save Location, (select drive or folder)

Copy From Current Save Location To Destination

:MMEMory:MSIS:COPY

Description: Copies all files and folders from the current save location to the destination. File hierarchy is maintained. In remote operation, files can only be copied from internal memory to the USB device or from USB to internal memory. If you wish to copy to the same memory device or copy specific files and folders, use the instrument front panel.

The Copy command will not execute if no USB device is plugged in, or if the instrument's internal memory is the selected destination but is not available (Option 7, Secure Data Operation, is enabled). Use the :SYSTEM:MSIS? query to check the ready state of internal memory and the USB drive before copying files.

Related Command: :MMEMory:MSIS
:MMEMory:MSIS:DESTination
:SYSTEM:MSIS[:STATe]?

Front Panel Access: **Shift-7 (File)**, Copy

Destination of Copied Files

:MMEMory:MSIS:DESTination INTERNAL|USB
:MMEMory:MSIS:DESTination?

Description: Sets the destination location for files copied with the :MMEMory:MSIS:COPY command. Files and folders will be placed at the root level of the specified memory device. The Destination command also sets the current save location. For example, selecting the USB Flash drive as the destination will set the instrument's internal memory as the current save location, and vice-versa.

The destination location specified by SCPI command applies to remote operation. It is independent of and can be different from the destination selected using the instrument front panel. The query form of this command returns the destination location setting for remote operation, not the front panel setting.

This command is ineffective if the specified destination is not available, such as having no USB device plugged into the USB port. Similarly, the instrument's internal memory cannot be the destination location if Option 7 (Secure Data Operation) is enabled, which allows files to be written only to the USB drive.

Before setting the destination location, use the :SYSTEM:MSIS? query to check the ready state of internal memory or the USB Flash drive.

Cmd Parameter: INTERNAL|USB

Query Response: INT|USB

Parameter Type: <char>

Related Command: :MMEMory:MSIS
:MMEMory:MSIS:COPY
:SYSTEM:MSIS[:STATe]?

Front Panel Access: **Shift-7 (File)**, Copy, (select drive or folder under Select Destination)

8-6 :MMEMory:STORe Subsystem

The Mass Memory Store subsystem contains commands to transfer from the internal memory to the mass memory device.

Save Screen as JPEG

:MMEMory:STORe:JPEG

Description: Saves the current screen measurement as a JPEG file, which is specified by <file name> with the extension *.jpg to the current save location. <file name> should be enclosed in either single quotes (') or double quotes (" ") and should not contain a file extension. Use the command :MMEMory:MSIS to set the current save location.

Syntax: :MMEMory:STORe:JPEG <file name>

Cmd Parameter: <string> <file name>

Query Response: NA (no query)

Example: To save the screen into the file named "trace".

```
:MMEMory:STORe:JPEG "trace"
```

Related Command: :MMEMory:DATA?

```
:MMEMory:MSIS:INTernal | USB
```

Front Panel

Access: **Shift-7** (File), Save, Change Type (select JPEG from list)

8-7 :SYSTEM Subsystem

This subsystem contains commands that affect instrument functionality. This functionality does not directly relate to data collection, display, or transfer.

Query Memory State

:SYSTEM:MSIS[:STATE]? INTERNAL|USB

Description: Queries the ready state of the instrument's internal memory or of the USB Flash drive. Use this command to check the ready state of the memory device before sending a command, such as :MMEMory:STORE or :MMEMory:MSIS:COPY, that requires the memory location to be available.

The USB query returns a 1 when a USB device is plugged into the USB port. It returns 0 if no USB drive is present. The INT query returns a 1 if internal memory is available, 0 if Option 7 (Secure Data Operation) is enabled on the instrument.

Option 7, when available, is a factory preset that prevents files, including instrument setup and measurement data, from being saved to internal memory. They can only be saved to USB. Once configured for secure data operation (Option 7 enabled), the user cannot switch the instrument to non-secure operation.

Parameter: INTERNAL|USB

Parameter Type: <char>

Related Command: :MMEMory:MSIS
:MMEMory:MSIS:DESTination
:MMEMory:MSIS:COPY

Query Installed Options

:SYSTEM:OPTions?

Description: Returns a string of the installed options. Options are separated by a "/". The string returns "NONE" if no options are installed.

Syntax: :SYSTEM:OPTions?

Cmd Parameter: NA (query only)

Query Response: NA (options are separated by "/" or "NONE")

Related Command: *IDN?

Preset

:SYSTem:PRESet

Description: This command restores all application parameters to their factory preset values. This command does not modify system parameters such as Ethernet configuration, language, volume, or brightness.

Syntax: :SYSTem:PRESet

Cmd Parameter: **NA**

Query Response: **NA** (no query)

Related Command: *RST

Front Panel

Access: **Shift-1** (Preset), Preset

8-8 [:SENSe]:GPS Subsystem

This subsystem contains commands that relate to the optional GPS (Global Positioning System) on the instrument.

GPS State

[:SENSe]:GPS ON|OFF|1|0

[:SENSe]:GPS?

Required Option: 31

Description: Toggles GPS ON or OFF.

The query form of this command returns a 0 or 1 when GPS state is OFF or ON, respectively.

Front Panel

Access: **Shift 8** (System), GPS, GPS On/Off

GPS Antenna Current

[:SENSe]:GPS:CURRent?

Required Option: 31

Description: Query only. Reads the current draw, in mA, of the GPS antenna.

Front Panel

Access: **Shift 8** (System), GPS, GPS Info

GPS Receiver Reset

[:SENSe]:GPS:RESet

Required Option: 31

Description: Resets the optional GPS receiver.

Front Panel

Access: **Shift 8** (System), GPS, Reset

GPS Antenna Voltage

[:SENSE] :GPS:VOLTage 0 | 1

[:SENSE] :GPS:VOLTage?

Required Option: 31

Description: Sets the GPS antenna voltage. Send the parameter value 0 to set the voltage to 3.3 V. To set the voltage to 5 V, send a 1 as the parameter value.

The query form of this command returns a 0 for an antenna voltage of 3.3 V and returns 1 for an antenna voltage of 5 V.

Front Panel

Access: **Shift 8** (System), GPS, GPS Voltage

Shift 8 (System), GPS, GPS Info

8-9 :FETCh:GPS Subsystem

Use this command to get GPS information.

Fetch GPS Fix Data

:FETCh:GPS?

Required Option: 31

Description: Returns the GPS fix status, UTC timing information, and the GPS location. The results are returned as a set of comma-delimited values in the following format:

<fix status>, <date/time>, <latitude>, <longitude>

The <fix status> field is either "GOOD FIX" or "NO FIX", depending whether the GPS receiver is currently calculating position data. If "NO FIX" is the value of the <fix status> field, then no data follows.

The date and time (<date/time> field) are returned in the following format:

Www Mmm dd hh:mm:ss yyyy

Where *www* is the weekday in letters, *Mmm* is the month in letters, *dd* is the day of the month, *hh:mm:ss* is the time (24-hour time), and *yyyy* is the year.

Both <latitude> and <longitude> fields are expressed in radians. A negative latitude value corresponds to a "south" reading. A negative longitude value corresponds to a "west" reading.

Related Command: :SENSE:GPS

Front Panel

Access: **Shift 8** (System), GPS, GPS Info

Appendix A — Example

A-1 Introduction

This appendix provides coding examples of C/C++ and Visual Basic, and also provides an example of reading trace data in the format that is used by LabVIEW.

A-2 C/C++

This example is run on the command line. It sends the `*IDN?` query to the instrument and prints the response to the console.

```
// IdnExample.cpp : Microsoft Visual Studio-Generated Example
// Based on Example 2-1 in the NI-VISA User Manual
// Usage : IdnExample "TCPIP::xxx.xxx.xxx.xxx::inst0::INSTR"
// where xxx.xxx.xxx.xxx is the IP address of the
// instrument.
// Output : The string identity string returned from the
// instrument.
// VISA Header : visa.h (must be included)
// VISA Library : visa32.lib (must be linked with)

#include "stdafx.h"
#include "stdio.h"
#include "string.h"
#include "visa.h"

#define BUFFER_SIZE 255

int main(int argc, char* argv[])
{
    ViStatus status; /* For checking errors */
    ViSession defaultRM, instr; /* Communication channels */
    ViUInt32 retCount; /* Return count from string I/O */
    ViChar buffer[BUFFER_SIZE]; /* Buffer for string I/O */
    char tempDisplay[BUFFER_SIZE]; /* Display buffer for example */
    char *pAddress;

    /* Make sure we got our address. */
    if ( argc < 2 )
    {
        printf("Usage: IdnExample
        \ TCPIP::xxx.xxx.xxx.xxx::inst0::INSTR\"\n");
        printf("\t where xxx.xxx.xxx.xxx is the IP address of your
        instrument.\n");
        return -1;
    }
}
```

```
/* Store the address. */
pAddress = argv[1];

/* Begin by initializing the system*/
status = viOpenDefaultRM(&defaultRM);

if (status < VI_SUCCESS)
{
    /* Error Initializing VISA...exiting*/
    printf("Can't initialize VISA\n");
    return -1;
}

/* Open communication with TCP/IP device at xxx.xxx.xxx.xxx*/
/* NOTE: For simplicity, we will not show error checking*/
/* TODO: Add error handling. */
status = viOpen(defaultRM, pAddress, VI_NULL, VI_NULL, &instr);

/* Set the timeout for message-based communication*/
/* TODO: Add error handling. */
status = viSetAttribute(instr, VI_ATTR_TMO_VALUE, 120000);

/* Ask the device for identification */
sprintf(buffer, "*IDN?\n");
status = viWrite(instr, (unsigned char *)&buffer[0], 6, &retCount);
status = viRead(instr, (unsigned char *)buffer, BUFFER_SIZE,
&retCount);

/* TODO: Add code to process data. */
strncpy(tempDisplay, buffer, retCount);
tempDisplay[retCount] = 0; /* Null-terminate display string. */
printf("*IDN? Returned %d bytes: %s\n", retCount, tempDisplay);
```

```
/* Close down the system */
/* TODO: Add error handling. */
status = viClose(instr);
status = viClose(defaultRM);

return 0;
}
```


A-3 Visual Basic

This function can be called in a Visual Basic program. It sends the *IDN? query to the instrument and returns the byte count and ASCII response string.

Rem This example is based on Example 2-1 from the NI-VISA User Manual.

```
Public Sub IdnMain(ByVal address As String, ByRef byteCount As String,
ByRef returnBytes As String)
    Const BUFFER_SIZE = 200
    Dim stat As ViStatus
    Dim dfltRM As ViSession
    Dim sesn As ViSession
    Dim retCount As Long
    Dim buffer As String * BUFFER_SIZE

    Rem ***Include visa32.dll as a reference in your project.***

    Rem Begin by initializing the system
    stat = viOpenDefaultRM(dfltRM)
    If (stat < VI_SUCCESS) Then
        Rem Error initializing VISA...exiting
        MsgBox "Can't initialize VISA"
        Exit Sub
    End If

    Rem Open communication with Device
    Rem NOTE: For simplicity, we will not show error checking
    Rem TODO: Add error handling.
    stat = viOpen(dfltRM, address, VI_NULL, VI_NULL, sesn)
```

```
Rem Set the timeout for message-based communication
Rem TODO: Add error handling.
stat = viSetAttribute(sesn, VI_ATTR_TMO_VALUE, 120000)

Rem Ask the device for identification
Rem TODO: Add error handling.
stat = viWrite(sesn, "*IDN?", 5, retCount)
stat = viRead(sesn, buffer, BUFFER_SIZE, retCount)

Rem TODO: Add code to process the data.
byteCount = retCount
returnBytes = Left(buffer, retCount)

Rem Close down the system
Rem TODO: Add error handling.
stat = viClose(sesn)
stat = viClose(dfltRM)

End Sub
```

A-4 Visual Basic

This function can be called in a Visual Basic program. It demonstrates connection and setting parameters in the instrument while using Ethernet Socket protocol.

```
Public Sub CommunicationWithTCPIPSSocket ()
```

```
    Const MAX_CNT = 200
```

```
    Dim stat As Variant
```

```
    Dim dfltRM As Variant
```

```
    Dim sesn As Variant
```

```
    Dim retCount As Long
```

```
    Dim Buffer As String * MAX_CNT
```

```
    Dim Response As String * VI_FIND_BUFLEN
```

```
    Dim sInputString As String
```

```
    Dim ipAddress As String
```

```
    Dim Port As String
```

```
    Rem Begin by initializing the system
```

```
    stat = viOpenDefaultRM(dfltRM)
```

```
    If (stat < VI_SUCCESS) Then
```

```
        Rem Error initializing VISA...exiting
```

```
        Exit Sub
```

```
    End If
```

```
    Rem Open communication with Ethernet Socket Protocol
```

```
    Rem before open an new Ethernet session make sure session was closed
```

```
    Rem NOTE: For simplicity, we will not show error checking
```

```
    'address and port
```

```
    'this sample address
```

```
    ipAddress = "172.26.202.117"
```

```
    'For S820E port will be 9001
```

```
    Port = "9001"
```

```
stat = viOpen(dfltRM, "TCPIP0::" & ipAddress & "::" & Port &
"::SOCKET", VI_NULL, VI_NULL, sesn)

Rem Set some visa attributes

Rem recommandation timeout >= 90 sec
stat = viSetAttribute(sesn, VI_ATTR_TMO_VALUE, 90000)
stat = viSetAttribute(sesn, VI_ATTR_SEND_END_EN, VI_TRUE)
Rem VI_ATTR_SUPPRESS_END_EN has to set to False during Ethernet
Socket communication
stat = viSetAttribute(sesn, VI_ATTR_SUPPRESS_END_EN, VI_FALSE)
stat = viClear(sesn)

Rem NOTE:
Rem All commands (SCPI) must be sent with linefeed
Rem during Ethernet Socket communication
Rem i.e. "\n" is in Visual Basic environment constant

'read back the strat frequency
sInputString = "*IDN?" & vbLf
stat = viWrite(sesn, sInputString, Len(sInputString), retCount)
Buffer = ""
stat = viRead(sesn, Buffer, MAX_CNT, retCount)

'System preset
sInputString = ":SYSTEM:PRESET" & vbLf
stat = viWrite(sesn, sInputString, Len(sInputString), retCount)

'Wait for previous operation to be completed
sInputString = "*OPC?" & vbLf
stat = viWrite(sesn, sInputString, Len(sInputString), retCount)
Buffer = ""
stat = viRead(sesn, Buffer, MAX_CNT, retCount)

'Set start frequency
sInputString = ":SENSe:FREQuency:STARt 1 GHz" & vbLf
```

```
stat = viWrite(sesn, sInputString, Len(sInputString), retCount)

'read back the strat frequency
sInputString = ":SENSe:FREQuency:START?" & vbCrLf
stat = viWrite(sesn, sInputString, Len(sInputString), retCount)
Buffer = ""
stat = viRead(sesn, Buffer, MAX_CNT, retCount)

'Set stop frequency
sInputString = "SENSe:FREQuency:STOP 7 GHz" & vbCrLf
stat = viWrite(sesn, sInputString, Len(sInputString), retCount)

'read back the stop frequency
sInputString = ":SENSe:FREQuency:STOP?" & vbCrLf
stat = viWrite(sesn, sInputString, Len(sInputString), retCount)
Buffer = ""
stat = viRead(sesn, Buffer, MAX_CNT, retCount)

Rem Close down the system
stat = viClose(sesn)
stat = viClose(dfltRM)

End Sub
```

A-5 LabVIEW™

This example shows how to read the trace data from the instrument in 32-bit integer format. The output is an array of data point magnitudes. [Figure A-1 on page A-11](#) shows the data capture and conversion to 32-bit integers in the format used by LabVIEW. [Figure A-2 on page A-12](#) shows the details of the conversion.

Note	Your instrument must first be defined to the VISA resource manager using NI-MAX. The VISA resource for your instrument serves as the VISA resource input to the vi.
-------------	---------------------------------------------------------------------------------------------------------------------------------------------------------------------

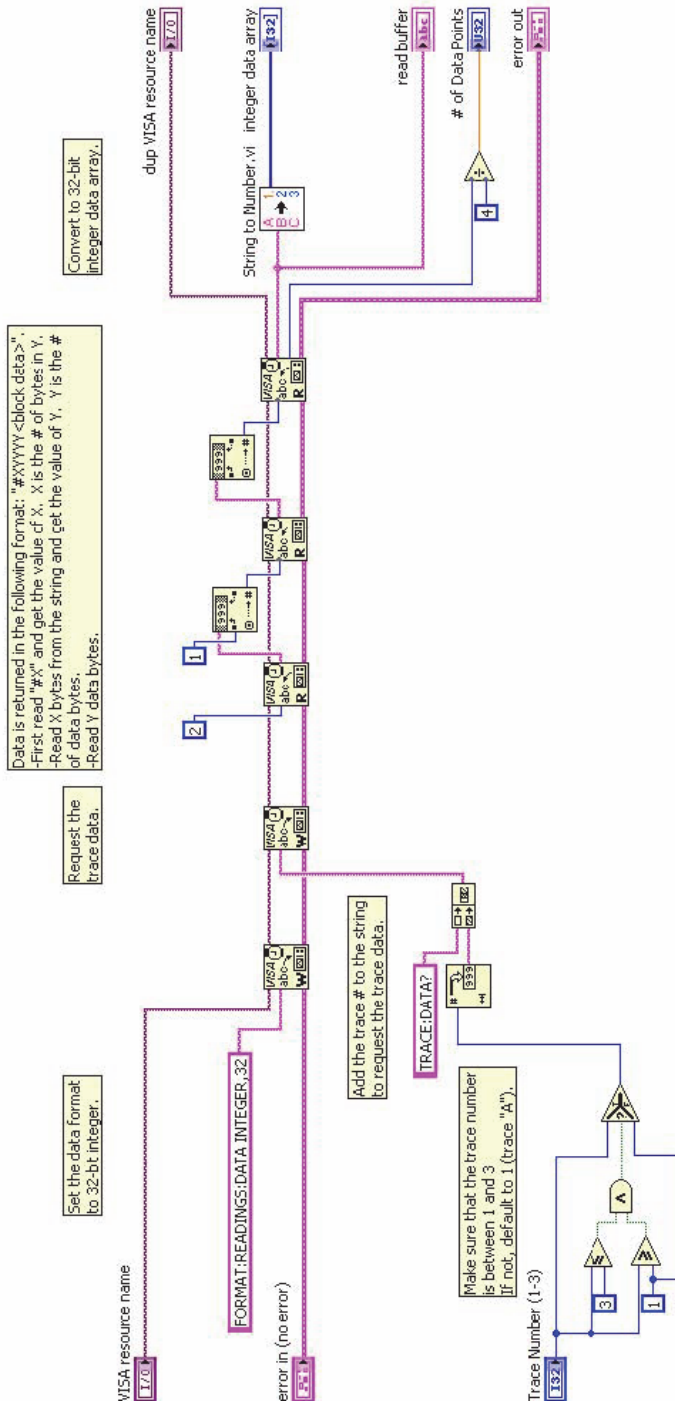


Figure A-1. Data Capture

String To Number.vi

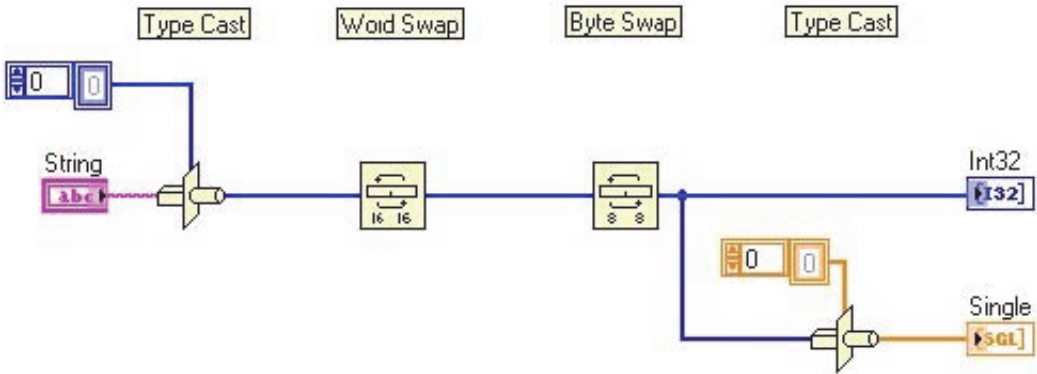


Figure A-2. Data Conversion

Appendix B — List of All SCPI Commands

:ABORt.	SPA 6-2
:CALCulate:FILTer[:GATE]:COUPled[:STATe]	VNA 3-4
:CALCulate:LIMit:ALARm.	SPA 6-3
:CALCulate:LIMit:ALARm.	VNA 3-21
:CALCulate:LIMit:CENTer	SPA 6-3
:CALCulate:LIMit:ENVelope:CREate	SPA 6-4
:CALCulate:LIMit:ENVelope:OFFSet	SPA 6-4
:CALCulate:LIMit:ENVelope:POINt	SPA 6-5
:CALCulate:LIMit:ENVelope:SHAPE	SPA 6-5
:CALCulate:LIMit:ENVelope:UPDate:X	SPA 6-6
:CALCulate:LIMit:ENVelope:UPDate:Y	SPA 6-6
:CALCulate:LIMit:FAIL?	SPA 6-6
:CALCulate:LIMit:LOWer:ALARm	SPA 6-7
:CALCulate:LIMit:LOWer:FAIL?	SPA 6-7
:CALCulate:LIMit:LOWer:POINt?	SPA 6-7
:CALCulate:LIMit:LOWer[:STATe].	SPA 6-8
:CALCulate:LIMit:LTYPE	SPA 6-9
:CALCulate:LIMit:MIRRor.	SPA 6-9
:CALCulate:LIMit:POINt:ADD	SPA 6-9
:CALCulate:LIMit:POINt:ADD	VNA 3-34
:CALCulate:LIMit:POINt:DELeTe	SPA 6-10
:CALCulate:LIMit:POINt:DELeTe	VNA 3-34
:CALCulate:LIMit:POINt:LEFT	SPA 6-10
:CALCulate:LIMit:POINt:LEFT	VNA 3-35
:CALCulate:LIMit:POINt:RIGHT.	SPA 6-10
:CALCulate:LIMit:POINt:RIGHT.	VNA 3-35
:CALCulate:LIMit:POINt:X	SPA 6-11

:CALCulate:LIMit:POINt:X	VNA 3-36
:CALCulate:LIMit:POINt:Y	SPA 6-12
:CALCulate:LIMit:POINt:Y	VNA 3-38
:CALCulate:LIMit:POINt?	SPA 6-12
:CALCulate:LIMit:POINt?	VNA 3-33
:CALCulate:LIMit:TYPe	SPA 6-13
:CALCulate:LIMit:TYPe	VNA 3-40
:CALCulate:LIMit:UPPer:ALARm	SPA 6-13
:CALCulate:LIMit:UPPer:FAIL?	SPA 6-14
:CALCulate:LIMit:UPPer:POINt?	SPA 6-14
:CALCulate:LIMit:UPPer[:STATe]	SPA 6-14
:CALCulate:LIMit:VALue	SPA 6-15
:CALCulate:LIMit:VERTical:ADD	SPA 6-15
:CALCulate:LIMit:X	SPA 6-16
:CALCulate:LIMit:X	VNA 3-50
:CALCulate:LIMit:Y	SPA 6-17
:CALCulate:LIMit:Y	VNA 3-52
:CALCulate:LIMit[:SET]:DEFault	SPA 6-17
:CALCulate:LIMit[:STATe]	SPA 6-18
:CALCulate:LIMit[:STATe]	VNA 3-39
:CALCulate:MARKer:AOFF	SPA 6-18
:CALCulate:MARKer:AOFF	VNA 3-53
:CALCulate:MARKer:AOFF	AM/FM/PM 7-5
:CALCulate:MARKer:DATA?	VNA 3-53
:CALCulate:MARKer:DISPlay:FORMat	VNA 3-56
:CALCulate:MARKer:PEAK:THReshold	SPA 6-19
:CALCulate:MARKer:TABLE:DATA?	SPA 6-19
:CALCulate:MARKer:TABLE[:STATe] OFF ON 0 1	
:CALCulate:MARKer:TABLE[:STATe]?	AM/FM/PM 7-5
:CALCulate:MARKer:TABLE[:STATe]	SPA 6-20
:CALCulate:MARKer[1] 2 3 4 5 6 7 8:DELTA:REFerence	VNA 3-54

List of All SCPI Commands

:CALCulate:MARKer[1|2|3|4|5|6|7|8]:DELTA[:STATe] VNA 3-55
:CALCulate:MARKer[1|2|3|4|5|6|7|8]:MAXimum VNA 3-58
:CALCulate:MARKer[1|2|3|4|5|6|7|8]:MINimum VNA 3-58
:CALCulate:MARKer[1|2|3|4|5|6|7|8]:TYPE VNA 3-61
:CALCulate:MARKer[1|2|3|4|5|6|7|8]:X. VNA 3-62
:CALCulate:MARKer[1|2|3|4|5|6|7|8]:Y? VNA 3-64
:CALCulate:MARKer{1|2|3|4|5|6}:DELTA:NOISE[:STATe] SPA 6-21
:CALCulate:MARKer{1|2|3|4|5|6}:DELTA:X <x-parameter>
:CALCulate:MARKer{1|2|3|4|5|6}:DELTA:X? AM/FM/PM 7-3
:CALCulate:MARKer{1|2|3|4|5|6}:DELTA:X SPA 6-22
:CALCulate:MARKer{1|2|3|4|5|6}:DELTA:Y? SPA 6-22
:CALCulate:MARKer{1|2|3|4|5|6}:DELTA:Y? AM/FM/PM 7-3
:CALCulate:MARKer{1|2|3|4|5|6}:DELTA[:SET]:SPAN SPA 6-23
:CALCulate:MARKer{1|2|3|4|5|6}:DELTA[:STATe] OFF|ON|0|1
:CALCulate:MARKer{1|2|3|4|5|6}:DELTA[:STATe]? AM/FM/PM 7-2
:CALCulate:MARKer{1|2|3|4|5|6}:DELTA[:STATe]. SPA 6-23
:CALCulate:MARKer{1|2|3|4|5|6}:FCOunt[:STATe] SPA 6-24
:CALCulate:MARKer{1|2|3|4|5|6}:FIXed[:STATe]. SPA 6-24
:CALCulate:MARKer{1|2|3|4|5|6}:MAXimum SPA 6-25
:CALCulate:MARKer{1|2|3|4|5|6}:MAXimum:LEFT. SPA 6-25
:CALCulate:MARKer{1|2|3|4|5|6}:MAXimum:RIGHT. SPA 6-25
:CALCulate:MARKer{1|2|3|4|5|6}:NOISE[:STATe] SPA 6-26
:CALCulate:MARKer{1|2|3|4|5|6}:X <x-parameter>
:CALCulate:MARKer{1|2|3|4|5|6}:X? AM/FM/PM 7-4
:CALCulate:MARKer{1|2|3|4|5|6}:X. SPA 6-27
:CALCulate:MARKer{1|2|3|4|5|6}:Y? SPA 6-27
:CALCulate:MARKer{1|2|3|4|5|6}:Y? AM/FM/PM 7-5
:CALCulate:MARKer{1|2|3|4|5|6}[:SET]:CENTer SPA 6-28
:CALCulate:MARKer{1|2|3|4|5|6}[:SET]:CENTer AM/FM/PM 7-3
:CALCulate:MARKer{1|2|3|4|5|6}[:SET]:RLEVel SPA 6-28
:CALCulate:MARKer{1|2|3|4|5|6}[:SET]:RLEVel AM/FM/PM 7-4

:CALCulate:MARKer{1|2|3|4|5|6}[:STATe] OFF|ON|0|1 AM/FM/PM 7-2
 :CALCulate:MARKer{1|2|3|4|5|6}[:STATe] SPA 6-28
 :CALCulate:MARKer{1|2|3|4|5|6}[:STATe]? AM/FM/PM 7-2
 :CALCulate:MARKer<Mk>:DOMain? VNA 3-56
 :CALCulate:MARKer<Mk>:FORMat VNA 3-57
 :CALCulate:MARKer<Mk>:REFerence[:STATe] VNA 3-59
 :CALCulate:MARKer<Mk>:SOURce VNA 3-60
 :CALCulate:MATH:FUNCTion VNA 3-66
 :CALCulate:MATH:MEMorize VNA 3-66
 :CALCulate:PMONitor:OFFSet PMon 5-5
 :CALCulate:PMONitor:RELative[:STATe] PMon 5-7
 :CALCulate:PMONitor:UNITs PMon 5-6
 :CALCulate:PMONitor:ZERO[:STATe] PMon 5-8
 :CALCulate:TRANSform:DISTance:MAXimum? VNA 3-68
 :CALCulate:TRANSform:DISTance:RESolution? VNA 3-68
 :CALCulate:TRANSform:DISTance:STARt VNA 3-69
 :CALCulate:TRANSform:DISTance:STOP VNA 3-69
 :CALCulate:TRANSform:DISTance:UNIT VNA 3-70
 :CALCulate:TRANSform:DISTance:WINDow VNA 3-71
 :CALCulate:TRANSform:TIME:MAXimum? VNA 3-72
 :CALCulate:TRANSform:TIME:RESolution? VNA 3-72
 :CALCulate:TRANSform:TIME:STARt VNA 3-73
 :CALCulate:TRANSform:TIME:STOP VNA 3-73
 :CALCulate:TRANSform:TIME:TRIP VNA 3-74
 :CALCulate:TRANSform:TIME:TYPE:AUTO VNA 3-75
 :CALCulate:TRANSform:TIME:TYPE? VNA 3-74
 :CALCulate:TRANSform:TIME:WINDow VNA 3-76
 :CALCulate<Tr>:DATA? VNA 3-2
 :CALCulate<Tr>:FILTer[:GATE]:DISTance:CENTer VNA 3-5
 :CALCulate<Tr>:FILTer[:GATE]:DISTance:NOTCh VNA 3-7

List of All SCPI Commands

:CALCulate<Tr>:FILTer[:GATE]:DISTance:SHAPe	VNA 3-8
:CALCulate<Tr>:FILTer[:GATE]:DISTance:SPAN	VNA 3-9
:CALCulate<Tr>:FILTer[:GATE]:DISTance:START.	VNA 3-10
:CALCulate<Tr>:FILTer[:GATE]:DISTance:STATe.	VNA 3-11
:CALCulate<Tr>:FILTer[:GATE]:DISTance:STOP	VNA 3-12
:CALCulate<Tr>:FILTer[:GATE]:TIME:CENTer.	VNA 3-13
:CALCulate<Tr>:FILTer[:GATE]:TIME:NOTCh	VNA 3-14
:CALCulate<Tr>:FILTer[:GATE]:TIME:SHAPe.	VNA 3-15
:CALCulate<Tr>:FILTer[:GATE]:TIME:SPAN.	VNA 3-16
:CALCulate<Tr>:FILTer[:GATE]:TIME:STARt	VNA 3-17
:CALCulate<Tr>:FILTer[:GATE]:TIME:STATe	VNA 3-18
:CALCulate<Tr>:FILTer[:GATE]:TIME:STOP.	VNA 3-19
:CALCulate<Tr>:FORMat	VNA 3-20
:CALCulate<Tr>:LIMit:FAIL?	VNA 3-22
:CALCulate<Tr>:LIMit:LOWer:FAIL?	VNA 3-22
:CALCulate<Tr>:LIMit:LOWer:POINT:ADD	VNA 3-25
:CALCulate<Tr>:LIMit:LOWer:POINT:DELeTe	VNA 3-25
:CALCulate<Tr>:LIMit:LOWer:POINT:LEFT.	VNA 3-26
:CALCulate<Tr>:LIMit:LOWer:POINT:RIGHT.	VNA 3-26
:CALCulate<Tr>:LIMit:LOWer:POINT:X	VNA 3-27
:CALCulate<Tr>:LIMit:LOWer:POINT:Y	VNA 3-29
:CALCulate<Tr>:LIMit:LOWer:POINT?	VNA 3-24
:CALCulate<Tr>:LIMit:LOWer:X	VNA 3-31
:CALCulate<Tr>:LIMit:LOWer:Y	VNA 3-33
:CALCulate<Tr>:LIMit:LOWer[:STATe].	VNA 3-30
:CALCulate<Tr>:LIMit:PFMessage.	VNA 3-23
:CALCulate<Tr>:LIMit:UPPer:FAIL?	VNA 3-24
:CALCulate<Tr>:LIMit:UPPer:POINT:ADD	VNA 3-41
:CALCulate<Tr>:LIMit:UPPer:POINT:DELeTe.	VNA 3-41
:CALCulate<Tr>:LIMit:UPPer:POINT:LEFT	VNA 3-42

:CALCulate<Tr>:LIMit:UPPer:POINt:RIGHt.	VNA 3-42
:CALCulate<Tr>:LIMit:UPPer:POINt:X	VNA 3-43
:CALCulate<Tr>:LIMit:UPPer:POINt:Y	VNA 3-45
:CALCulate<Tr>:LIMit:UPPer:POINt?	VNA 3-40
:CALCulate<Tr>:LIMit:UPPer:X	VNA 3-47
:CALCulate<Tr>:LIMit:UPPer:Y	VNA 3-49
:CALCulate<Tr>:LIMit:UPPer[:STATe]	VNA 3-46
:CALCulate<Tr>:SMOothing:APERture	VNA 3-67
:CALCulate<Tr>:TRANSform:DISTance:DATA?	VNA 3-77
:CALCulate<Tr>:TRANSform:TIME:BPASs:STIMulus	VNA 3-78
:CALCulate<Tr>:TRANSform:TIME:DATA?	VNA 3-79
:CALCulate<Tr>:TRANSform:TIME:LPASs:STIMulus	VNA 3-80
:CONFigure:ACPower	SPA 6-29
:CONFigure:CHPower	SPA 6-30
:CONFigure:FSTRength	SPA 6-30
:CONFigure:OBWidth	SPA 6-31
:CONFigure?	SPA 6-31
:DISPlay:GRID	SPA 6-32
:DISPlay:WINDow:TRACe:Y:AFPanalyzer:PWR:OFFSet <rel ampl>	
:DISPlay:WINDow:TRACe:Y:AFPanalyzer:PWR:OFFSet?	AM/FM/PM 7-6
:DISPlay:WINDow:TRACe:Y[:SCALe]:GDAPerture	VNA 3-82
:DISPlay:WINDow:TRACe:Y[:SCALe]:PDIVision <rel ampl>	
:DISPlay:WINDow:TRACe:Y[:SCALe]:PDIVision?	AM/FM/PM 7-6
:DISPlay:WINDow:TRACe:Y[:SCALe]:PDIVision	SPA 6-32
:DISPlay:WINDow:TRACe:Y[:SCALe]:RLEVel	SPA 6-33
:DISPlay:WINDow:TRACe:Y[:SCALe]:RLEVel:OFFSet	SPA 6-33
:DISPlay:WINDow:TRACe<Tr>:Y[:SCALe]:PDIVision	VNA 3-83
:DISPlay:WINDow:TRACe<Tr>:Y[:SCALe]:RLEVel	VNA 3-84
:DISPlay:WINDow:TRACe<Tr>:Y[:SCALe]:RPOStion	VNA 3-86
:DISPlay:WINDow:TRACe<Tr>:Y[:SCALe]:SMCHart	VNA 3-87
:DISPlay[:WINDow]:TRACe TRACe MEMory BOTH	VNA 3-81

List of All SCPI Commands

:DISPlay[:WINDow]:TRACe:FORMat	VNA 3-81
:FETCh:ACPower?	SPA 6-34
:FETCh:CHPower:CHPower?	SPA 6-34
:FETCh:CHPower:DENSity?	SPA 6-35
:FETCh:CHPower?	SPA 6-35
:FETCh:GPS?	All Modes 8-13
:FETCh:OBWidth:FREQuency?	SPA 6-36
:FETCh:OBWidth?	SPA 6-36
:FETCh:PMONitor:DATA?	PMon 5-9
:FETCh:PMONitor:RELative:DATA?	PMon 5-10
:FETCh:PMONitor:ZERO:DATA?	PMon 5-11
:FETCh:VVM:DATA?	VVM 4-18
:FETCh:VVM:REFerence:DATA?	VVM 4-20
:FORMat[:READings][:DATA] ASCii INTeger,32 REAL,[<length>]	
:FORMat[:READings][:DATA]?	AM/FM/PM 7-7
:FORMat[:READings][:DATA]	SPA 6-38
:FORMat[:READings][:DATA]	VNA 3-88
:INITiate:CONTinuous OFF ON 0 1	
:INITiate:CONTinuous?	AM/FM/PM 7-9
:INITiate:CONTinuous	SPA 6-39
:INITiate:CONTinuous	VNA 3-89
:INITiate:HOLD	VNA 3-90
:INITiate[:IMMediate]	SPA 6-40
:INITiate[:IMMediate]	VNA 3-90
:INITiate[:IMMediate]	AM/FM/PM 7-9
:INPut:BIAS:EXTernal:TRIPped[:STATe]?	VNA 3-93
:INPut:BIAS:INTernal:TRIPped[:STATe]?	VNA 3-93
:INPut:BIAS:PORT:SElect	VNA 3-94
:INPut:BIAS:STATe	VNA 3-94
:INPut:GAIN:MODE	VNA 3-91
:INPut<port_no>:BIAS:CURRent	VNA 3-92

:INPut<port_no>:BIAS:EXTernal:CURRent?	VNA 3-92
:INPut<port_no>:BIAS:EXTernal:VOLTage?	VNA 3-93
:INPut<port_no>:BIAS:VOLTage.	VNA 3-95
:INSTRument:CATalog:FULL?	All Modes 8-2
:INSTRument:NSElect	All Modes 8-2
:INSTRument[:SElect]	All Modes 8-4
:MEASure:ACPower?	SPA 6-41
:MEASure:CHPower:CHPower?	SPA 6-42
:MEASure:CHPower:DENSity?	SPA 6-43
:MEASure:CHPower?	SPA 6-44
:MEASure:OBWidth?	SPA 6-45
:MMEMory:DATA?	All Modes 8-6
:MMEMory:DELeTe <file name>	AM/FM/PM 7-10
:MMEMory:DELeTe.	All Modes 8-6
:MMEMory:LOAD:LIMit.	SPA 6-46
:MMEMory:LOAD:STATe <integer>,<file name>.	AM/FM/PM 7-10
:MMEMory:LOAD:STATe.	All Modes 3-97
:MMEMory:LOAD:STATe.	All Modes 4-4
:MMEMory:LOAD:STATe.	SPA 6-46
:MMEMory:LOAD:TRACe <integer>,<file name>	AM/FM/PM 7-11
:MMEMory:LOAD:TRACe	All Modes 3-98
:MMEMory:LOAD:TRACe	All Modes 4-5
:MMEMory:LOAD:TRACe	SPA 6-47
:MMEMory:MSIS	All Modes 8-7
:MMEMory:MSIS:COpy	All Modes 8-7
:MMEMory:MSIS:DESTination	All Modes 8-8
:MMEMory:STORE:JPEG	All Modes 8-9
:MMEMory:STORE:LIMit.	SPA 6-48
:MMEMory:STORE:STATe <integer>,<file name>	AM/FM/PM 7-11
:MMEMory:STORE:STATe	All Modes 3-99

List of All SCPI Commands

:MMEMory:STORe:STATe	All Modes 4-6
:MMEMory:STORe:STATe	SPA 6-48
:MMEMory:STORe:TRACe	All Modes 3-100
:MMEMory:STORe:TRACe	All Modes 4-7
:MMEMory:STORe:TRACe <integer>,<file name>.	AM/FM/PM 7-12
:MMEMory:STORe:TRACe.	SPA 6-49
:READ:ACPower?	SPA 6-50
:READ:CHPower:DENSity?	SPA 6-51
:READ:CHPower?	SPA 6-51
:READ:OBWidth?	SPA 6-52
:SENSe:ROSCillator:EXTernal:FREQuency?	VNA 3-142
:SENSe:ROSCillator[:SOURce]	VNA 3-142
:SENSe<Tr>:FREQuency:DATA?	VNA 3-141
:SOURce:CORRection:RVELocity	VNA 3-149
:SOURce:CORRection:RVELocity:CABLoss	VNA 3-149
:SOURce:CORRection:RVELocity:FCUToff	VNA 3-150
:SOURce:CORRection:RVELocity:MEDium	VNA 3-150
:SOURce:CORRection:RVELocity:WGLoss	VNA 3-151
:SOURce:POWER	VNA 3-148
:STATus:OPERation?	VNA 3-152
:SYSTem:MBTemperature?	VNA 3-153
:SYSTem:OPTions?	All Modes 8-10
:SYSTem:PRESet	All Modes 8-10
:TRACe:COPIY	SPA 6-53
:TRACe:EXCHange TRACE2,TRACE3	SPA 6-53
:TRACe:PREAmble?	PMon 5-2
:TRACe:PREAmble?	SPA 6-54
:TRACe:PREAmble?	VNA 3-154
:TRACe:PREAmble?	VVM 4-8
:TRACe[:DATA].	SPA 6-59

:TRACe[:DATA]? VNA 3-153

:TRACe[:DATA]? AM/FM/PM 7-13

:TRACe{1 | 2 | 3}:DISPLay[:STATe] SPA 6-60

:TRACe{1 | 2 | 3}:WRITe[:STATe]. SPA 6-61

:TRACe1:OPERation SPA 6-62

:TRACe2:OPERation SPA 6-63

:TRACe3:OPERation SPA 6-64

:TRIGger[:SEQUence]:SOURce. SPA 6-65

:TRIGger[:SEQUence]:VIDeo:DELay SPA 6-66

:TRIGger[:SEQUence]:VIDeo:LEVel. SPA 6-66

:UNIT:POWer SPA 6-67

[:SENSE]:ACPowEr:BANDwidth | BWIDth:ADJacent SPA 6-68

[:SENSE]:ACPowEr:BANDwidth | BWIDth:MAIN SPA 6-68

[:SENSE]:ACPowEr:BANDwidth | BWIDth:SPACing SPA 6-69

[:SENSE]:ACPowEr:STATe SPA 6-69

[:SENSE]:AFPanalyzer:AVERage:COUNT <avg count>
[:SENSE]:AFPanalyzer:AVERage:COUNT? AM/FM/PM 7-14

[:SENSE]:AFPanalyzer:DEMod:DATA? AM/FM/PM 7-14

[:SENSE]:AFPanalyzer:DEMod:MODE RFSP | AFSP | AFWV | SUMMary
[:SENSE]:AFPanalyzer:DEMod:MODE? AM/FM/PM 7-14

[:SENSE]:AFPanalyzer:DEMod:TYPE AM | FM | PM
[:SENSE]:AFPanalyzer:DEMod:TYPE? AM/FM/PM 7-15

[:SENSE]:AFPanalyzer:FM:SCALE <percentage>
[:SENSE]:AFPanalyzer:FM:SCALE? AM/FM/PM 7-15

[:SENSE]:AFPanalyzer:IFBW <freq>
[:SENSE]:AFPanalyzer:IFBW? AM/FM/PM 7-15

[:SENSE]:AFPanalyzer:IFBW:AUTO 0 | 1
[:SENSE]:AFPanalyzer:IFBW:AUTO? AM/FM/PM 7-16

[:SENSE]:AFPanalyzer:PM:SCALE <Radians>
[:SENSE]:AFPanalyzer:PM:SCALE? AM/FM/PM 7-16

[:SENSE]:AFPanalyzer:RFSPectrum:DATA? AM/FM/PM 7-16

[:SENSE]:AFPanalyzer:SPAN <freq>
[:SENSE]:AFPanalyzer:SPAN? AM/FM/PM 7-17

List of All SCPI Commands

[:SENSe]:AFPAnalyzer:SUMMary:DATA?	AM/FM/PM 7-17
[:SENSe]:AFPAnalyzer:SWEEp:TIME <time>	
[:SENSe]:AFPAnalyzer:SWEEp:TIME?	AM/FM/PM 7-17
[:SENSe]:APPLication:TST:RESult?	VNA 3-102
[:SENSe]:APPLication:TST?	VNA 3-102
[:SENSe]:AVERAge:CLEAr	VNA 3-103
[:SENSe]:AVERAge:COUNt	SPA 6-70
[:SENSe]:AVERAge:COUNt	VNA 3-103
[:SENSe]:AVERAge:TYPE	SPA 6-71
[:SENSe]:BANDwidth BWIDth:VIDeo	SPA 6-72
[:SENSe]:BANDwidth BWIDth:VIDeo:AUTO	SPA 6-72
[:SENSe]:BANDwidth BWIDth:VIDeo:RATio	SPA 6-73
[:SENSe]:BANDwidth BWIDth:VIDeo:TYPE	SPA 6-73
[:SENSe]:BANDwidth BWIDth[:RESolution]	SPA 6-74
[:SENSe]:BANDwidth BWIDth[:RESolution]:AUTO	SPA 6-74
[:SENSe]:BANDwidth BWIDth[:RESolution]:RATio	SPA 6-75
[:SENSe]:CALibration:STATe?	VNA 3-104
[:SENSe]:CHPower:BANDwidth BWIDth:INTEgration	SPA 6-75
[:SENSe]:CHPower:STATe	SPA 6-76
[:SENSe]:CORRection:CKIT:INFormation?	VNA 3-108
[:SENSe]:CORRection:CKIT:USER[1] 2 3 4:COAX:SOLT:L0 1 2 3 .	VNA 3-114
[:SENSe]:CORRection:CKIT:USER[1] 2 3 4:COAX WGUide :SOLT:C0 1 2 3	VNA 3-114
[:SENSe]:CORRection:CKIT:USER[1] 2 3 4:COAX WGUide:SOLT :OPEN	VNA 3-116
[:SENSe]:CORRection:CKIT:USER[1] 2 3 4:COAX WGUide:SOLT :SHORT	VNA 3-117
[:SENSe]:CORRection:CKIT:USER[1] 2 3 4:COAX WGUide :SOLT SSLT SSST:NAME	VNA 3-115
[:SENSe]:CORRection:CKIT:USER[1] 2 3 4:COAX WGUide :SSLT:SHORT[1] 2	VNA 3-116

[:SENSE]:CORRection:CKIT:USER[1] 2 3 4:COAX WGUide :SSST:SHORT[1] 2 3	VNA 3-117
[:SENSE]:CORRection:CKIT:USER[1] 2 3 4:WGUide:SSLT SSST :FCUToff	VNA 3-115
[:SENSE]:CORRection:COLLect:ABORT:ALL	VNA 3-118
[:SENSE]:CORRection:COLLect:ACQUire:STATus?	VNA 3-123
[:SENSE]:CORRection:COLLect:CONNector<port_no>	VNA 3-124
[:SENSE]:CORRection:COLLect:CTYPE	VNA 3-129
[:SENSE]:CORRection:COLLect:INTerpolation[:STATe]	VNA 3-132
[:SENSE]:CORRection:COLLect:MEDium	VNA 3-133
[:SENSE]:CORRection:COLLect:METHod	VNA 3-133
[:SENSE]:CORRection:COLLect:SAVE	VNA 3-133
[:SENSE]:CORRection:COLLect:STATus:ACCuracy?	VNA 3-134
[:SENSE]:CORRection:COLLect:STATus?	VNA 3-134
[:SENSE]:CORRection:COLLect:TYPE	VNA 3-130
[:SENSE]:CORRection:COLLect:TYPE	VNA 3-135
[:SENSE]:CORRection:COLLect[:ACQUire]	VNA 3-119
[:SENSE]:CORRection:DATA?	VNA 3-105
[:SENSE]:CORRection:IMPedance[:INPut]:OFFSet	SPA 6-76
[:SENSE]:CORRection:IMPedance[:INPut][:MAGNitude]	SPA 6-77
[:SENSE]:CORRection:IMPedance[:INPut][:MAGNitude]:SMCHart... 3-106	VNA
[:SENSE]:CORRection[:STATe]	VNA 3-107
[:SENSE]:DETector[:FUNction]	SPA 6-78
[:SENSE]:FREQuency:CENTer <freq> [:SENSE]:FREQuency:CENTer?	AM/FM/PM 7-18
[:SENSE]:FREQuency:CENTer	SPA 6-79
[:SENSE]:FREQuency:CENTer	VNA 3-136
[:SENSE]:FREQuency:DSPAn?	VNA 3-137
[:SENSE]:FREQuency:SIGStandard:CHANnel <number> [:SENSE]:FREQuency:SIGStandard:CHANnel?	AM/FM/PM 7-18
[:SENSE]:FREQuency:SIGStandard:CHANnel	SPA 6-79

List of All SCPI Commands

[:SENSe]:FREQuency:SIGStandard:NAME <string>	
[:SENSe]:FREQuency:SIGStandard:NAME?	AM/FM/PM 7-18
[:SENSe]:FREQuency:SIGStandard:NAME	SPA 6-80
[:SENSe]:FREQuency:SPAN <freq>	
[:SENSe]:FREQuency:SPAN?	AM/FM/PM 7-19
[:SENSe]:FREQuency:SPAN	SPA 6-80
[:SENSe]:FREQuency:SPAN	VNA 3-137
[:SENSe]:FREQuency:SPAN:FULL.	SPA 6-81
[:SENSe]:FREQuency:SPAN:FULL.	AM/FM/PM 7-19
[:SENSe]:FREQuency:SPAN:MINimum	AM/FM/PM 7-19
[:SENSe]:FREQuency:SPAN:PREVious	SPA 6-81
[:SENSe]:FREQuency:SPAN:PREVious	AM/FM/PM 7-19
[:SENSe]:FREQuency:STARt.	SPA 6-82
[:SENSe]:FREQuency:STARt.	VNA 3-139
[:SENSe]:FREQuency:STEP[:INCRement] <freq>	
[:SENSe]:FREQuency:STEP[:INCRement]?	AM/FM/PM 7-20
[:SENSe]:FREQuency:STEP[:INCRement].	SPA 6-82
[:SENSe]:FREQuency:STOP	SPA 6-83
[:SENSe]:FREQuency:STOP	VNA 3-140
[:SENSe]:FREQuency:TSPAN?	VNA 3-138
[:SENSe]:FSTRength:ANTenna.	SPA 6-84
[:SENSe]:FSTRength:STATe	SPA 6-84
[:SENSe]:GPS	All Modes 8-11
[:SENSe]:GPS:CURRent?	All Modes 8-11
[:SENSe]:GPS:RESet	All Modes 8-11
[:SENSe]:GPS:VOLTagE.	All Modes 8-12
[:SENSe]:OBWidth:METHod XDB PERCent	
[:SENSe]:OBWidth:METHod?	AM/FM/PM 7-20
[:SENSe]:OBWidth:METHod	SPA 6-85
[:SENSe]:OBWidth:PERCent <percentage>	
[:SENSe]:OBWidth:PERCent?	AM/FM/PM 7-21
[:SENSe]:OBWidth:PERCent.	SPA 6-85

[:SENSE]:OBWidth:STATe SPA 6-86

[:SENSE]:OBWidth:XDB <rel ampl>

[:SENSE]:OBWidth:XDB? AM/FM/PM 7-21

[:SENSE]:OBWidth:XDB SPA 6-86

[:SENSE]:POWER[:RF]:ATTenuation SPA 6-87

[:SENSE]:POWER[:RF]:ATTenuation:AUTO SPA 6-87

[:SENSE]:POWER[:RF]:GAIN[:STATe] SPA 6-88

[:SENSE]:RFON[:STATe] VNA 3-141

[:SENSE]:SWEep:IFBW VNA 3-143

[:SENSE]:SWEep:POINts VNA 3-144

[:SENSE]:SWEep:TIME:ACTual? SPA 6-89

[:SENSE]:SWEep:TIME[:LLIMit] SPA 6-89

[:SENSE]:SWEep:TYPE. VNA 3-144

[:SENSE]:TRACe:SElect? VNA 3-148

[:SENSE]:TRACe:TOTal VNA 3-147

[:SENSE]:TRACe<Tr>:DOMain VNA 3-145

[:SENSE]:TRACe<Tr>:SElect VNA 3-146

[:SENSE]:TRACe<Tr>:SPARams VNA 3-147

[:SENSE]:VVM:CABLE:SElect 1 | 2 | 3 | 4 | 5 | 6 | 7 | 8 | 9 | 10 | 11 | 12 . VVM 4-14

[:SENSE]:VVM:FORMat DB | VSWR | IMPedance VVM 4-11

[:SENSE]:VVM:FREQuency:CW <freq> VVM 4-15

[:SENSE]:VVM:MODE CW | TABLE VVM 4-12

[:SENSE]:VVM:PORT 1 | 2 VVM 4-12

[:SENSE]:VVM:REFerence:CLEar VVM 4-16

[:SENSE]:VVM:REFerence:MEMorize VVM 4-16

[:SENSE]:VVM:TYPE RETurn | INSertion VVM 4-13

[SENSE:]CORRection:COLLect:EDELay:DISTance VNA 3-131

[SENSE:]CORRection:COLLect:EDELay:TIME VNA 3-132

[SENSE]:SWEep:MODE FAST | PERFormance | NOFFt SPA 6-88

Appendix C — SCPI Commands by Mode

General Information 1

Programming with SCPI 1

VNA Commands 1

:CALCulate<Tr>:DATA?	VNA 3-2
:CALCulate:FILTer[:GATE]:COUPled[:STATe]	VNA 3-4
:CALCulate<Tr>:FILTer[:GATE]:DISTance:CENTer	VNA 3-5
:CALCulate<Tr>:FILTer[:GATE]:DISTance:NOTCh	VNA 3-7
:CALCulate<Tr>:FILTer[:GATE]:DISTance:SHAPe	VNA 3-8
:CALCulate<Tr>:FILTer[:GATE]:DISTance:SPAN	VNA 3-9
:CALCulate<Tr>:FILTer[:GATE]:DISTance:START	VNA 3-10
:CALCulate<Tr>:FILTer[:GATE]:DISTance:STATe	VNA 3-11
:CALCulate<Tr>:FILTer[:GATE]:DISTance:STOP	VNA 3-12
:CALCulate<Tr>:FILTer[:GATE]:TIME:CENTer	VNA 3-13
:CALCulate<Tr>:FILTer[:GATE]:TIME:NOTCh	VNA 3-14
:CALCulate<Tr>:FILTer[:GATE]:TIME:SHAPe	VNA 3-15
:CALCulate<Tr>:FILTer[:GATE]:TIME:SPAN	VNA 3-16
:CALCulate<Tr>:FILTer[:GATE]:TIME:START	VNA 3-17
:CALCulate<Tr>:FILTer[:GATE]:TIME:STATe	VNA 3-18
:CALCulate<Tr>:FILTer[:GATE]:TIME:STOP	VNA 3-19
:CALCulate<Tr>:FORMat	VNA 3-20
:CALCulate:LIMit:ALARm	VNA 3-21
:CALCulate<Tr>:LIMit:FAIL?	VNA 3-22
:CALCulate<Tr>:LIMit:LOWer:FAIL?	VNA 3-22
:CALCulate<Tr>:LIMit:PFMessage	VNA 3-23
:CALCulate<Tr>:LIMit:UPPer:FAIL?	VNA 3-24
:CALCulate<Tr>:LIMit:LOWer:POINT?	VNA 3-24

:CALCulate<Tr>:LIMit:LOWer:POINt:ADD	VNA 3-25
:CALCulate<Tr>:LIMit:LOWer:POINt:DELete	VNA 3-25
:CALCulate<Tr>:LIMit:LOWer:POINt:LEFT	VNA 3-26
:CALCulate<Tr>:LIMit:LOWer:POINt:RIGHt	VNA 3-26
:CALCulate<Tr>:LIMit:LOWer:POINt:X	VNA 3-27
:CALCulate<Tr>:LIMit:LOWer:POINt:Y	VNA 3-29
:CALCulate<Tr>:LIMit:LOWer[:STATe]	VNA 3-30
:CALCulate<Tr>:LIMit:LOWer:X	VNA 3-31
:CALCulate<Tr>:LIMit:LOWer:Y	VNA 3-33
:CALCulate:LIMit:POINt?	VNA 3-33
:CALCulate:LIMit:POINt:ADD	VNA 3-34
:CALCulate:LIMit:POINt:DELete	VNA 3-34
:CALCulate:LIMit:POINt:LEFT	VNA 3-35
:CALCulate:LIMit:POINt:RIGHt	VNA 3-35
:CALCulate:LIMit:POINt:X	VNA 3-36
:CALCulate:LIMit:POINt:Y	VNA 3-38
:CALCulate:LIMit[:STATe]	VNA 3-39
:CALCulate:LIMit:TYPE	VNA 3-40
:CALCulate<Tr>:LIMit:UPPer:POINt?	VNA 3-40
:CALCulate<Tr>:LIMit:UPPer:POINt:ADD	VNA 3-41
:CALCulate<Tr>:LIMit:UPPer:POINt:DELete	VNA 3-41
:CALCulate<Tr>:LIMit:UPPer:POINt:LEFT	VNA 3-42
:CALCulate<Tr>:LIMit:UPPer:POINt:RIGHt	VNA 3-42
:CALCulate<Tr>:LIMit:UPPer:POINt:X	VNA 3-43
:CALCulate<Tr>:LIMit:UPPer:POINt:Y	VNA 3-45
:CALCulate<Tr>:LIMit:UPPer[:STATe]	VNA 3-46
:CALCulate<Tr>:LIMit:UPPer:X	VNA 3-47
:CALCulate<Tr>:LIMit:UPPer:Y	VNA 3-49
:CALCulate:LIMit:X	VNA 3-50
:CALCulate:LIMit:Y	VNA 3-52

:CALCulate:MARKer:AOFF	VNA 3-53
:CALCulate:MARKer:DATA?	VNA 3-53
:CALCulate:MARKer[1] 2 3 4 5 6 7 8:DELTA:REFerence	VNA 3-54
:CALCulate:MARKer[1] 2 3 4 5 6 7 8:DELTA[:STATe]	VNA 3-55
:CALCulate:MARKer:DISPlay:FORMat	VNA 3-56
:CALCulate:MARKer<Mk>:DOMain?	VNA 3-56
:CALCulate:MARKer<Mk>:FORMat.	VNA 3-57
:CALCulate:MARKer[1] 2 3 4 5 6 7 8:MAXimum	VNA 3-58
:CALCulate:MARKer[1] 2 3 4 5 6 7 8:MINimum	VNA 3-58
:CALCulate:MARKer<Mk>:REFerence[:STATe]	VNA 3-59
:CALCulate:MARKer<Mk>:SOURce	VNA 3-60
:CALCulate:MARKer[1] 2 3 4 5 6 7 8:TYPE	VNA 3-61
:CALCulate:MARKer[1] 2 3 4 5 6 7 8:X	VNA 3-62
:CALCulate:MARKer[1] 2 3 4 5 6 7 8:Y?	VNA 3-64
:CALCulate:MATH:FUNCTion	VNA 3-66
:CALCulate:MATH:MEMorize	VNA 3-66
:CALCulate<Tr>:SMOothing:APERture	VNA 3-67
:CALCulate:TRANSform:DISTance:MAXimum?	VNA 3-68
:CALCulate:TRANSform:DISTance:RESolution?	VNA 3-68
:CALCulate:TRANSform:DISTance:STARt	VNA 3-69
:CALCulate:TRANSform:DISTance:STOP	VNA 3-69
:CALCulate:TRANSform:DISTance:UNIT.	VNA 3-70
:CALCulate:TRANSform:DISTance:WINDow	VNA 3-71
:CALCulate:TRANSform:TIME:MAXimum?	VNA 3-72
:CALCulate:TRANSform:TIME:RESolution?	VNA 3-72
:CALCulate:TRANSform:TIME:STARt	VNA 3-73
:CALCulate:TRANSform:TIME:STOP	VNA 3-73
:CALCulate:TRANSform:TIME:TRIP	VNA 3-74
:CALCulate:TRANSform:TIME:TYPE?	VNA 3-74
:CALCulate:TRANSform:TIME:TYPE:AUTO	VNA 3-75

:CALCulate:TRANsform:TIME:WINDow	VNA 3-76
:CALCulate<Tr>:TRANsform:DISTance:DATA?	VNA 3-77
:CALCulate<Tr>:TRANsform:TIME:BPASs:STIMulus	VNA 3-78
:CALCulate<Tr>:TRANsform:TIME:DATA?	VNA 3-79
:CALCulate<Tr>:TRANsform:TIME:LPASs:STIMulus	VNA 3-80
:DISPlay[:WINDow]:TRACe TRACe MEMory BOTH	VNA 3-81
:DISPlay[:WINDow]:TRACe:FORMat	VNA 3-81
:DISPlay:WINDow:TRACe:Y[:SCALe]:GDAPerture	VNA 3-82
:DISPlay:WINDow:TRACe<Tr>:Y[:SCALe]:PDIVision	VNA 3-83
:DISPlay:WINDow:TRACe<Tr>:Y[:SCALe]:RLEVel	VNA 3-84
:DISPlay:WINDow:TRACe<Tr>:Y[:SCALe]:RPOStion	VNA 3-86
:DISPlay:WINDow:TRACe<Tr>:Y[:SCALe]:SMCHart	VNA 3-87
:FORMat[:READings][:DATA]	VNA 3-88
:INITiate:CONTinuous	VNA 3-89
:INITiate:HOLD	VNA 3-90
:INITiate[:IMMediate]	VNA 3-90
:INPut:GAIN:MODE	VNA 3-91
:INPut<port_no>:BIAS:CURRent	VNA 3-92
:INPut<port_no>:BIAS:EXTernal:CURRent?	VNA 3-92
:INPut:BIAS:EXTernal:TRIPped[:STATe]?	VNA 3-93
:INPut<port_no>:BIAS:EXTernal:VOLTage?	VNA 3-93
:INPut:BIAS:INTernal:TRIPped[:STATe]?	VNA 3-93
:INPut:BIAS:PORT:SELect	VNA 3-94
:INPut:BIAS:STATe	VNA 3-94
:INPut<port_no>:BIAS:VOLTage	VNA 3-95
:MMEMory:LOAD:STATe	All Modes 3-97
:MMEMory:LOAD:TRACe	All Modes 3-98
:MMEMory:STORE:STATe	All Modes 3-99
:MMEMory:STORE:TRACe	All Modes 3-100
[:SENSe]:APPLication:TST?	VNA 3-102

[SENSE]:APPLICATION:TST:RESULT?	VNA 3-102
[SENSE]:AVERAGE:CLEAR	VNA 3-103
[SENSE]:AVERAGE:COUNT	VNA 3-103
[SENSE]:CALIBRATION:STATE?	VNA 3-104
[SENSE]:CORRECTION:DATA?	VNA 3-105
[SENSE]:CORRECTION:IMPEDANCE[:INPUT][:MAGNITUDE]:SMCHART	VNA 3-106
[SENSE]:CORRECTION[:STATE]	VNA 3-107
[SENSE]:CORRECTION:CKIT:INFORMATION?	VNA 3-108
[SENSE]:CORRECTION:CKIT:USER[1] 2 3 4:COAX:SOLT:L0 1 2 3	VNA 3-114
[SENSE]:CORRECTION:CKIT:USER[1] 2 3 4:COAX WGUIDE :SOLT:C0 1 2 3	VNA 3-114
[SENSE]:CORRECTION:CKIT:USER[1] 2 3 4:WGUIDE:SSLT SSST :FCUTOFF	VNA 3-115
[SENSE]:CORRECTION:CKIT:USER[1] 2 3 4:COAX WGUIDE :SOLT SSLT SSST:NAME	VNA 3-115
[SENSE]:CORRECTION:CKIT:USER[1] 2 3 4:COAX WGUIDE:SOLT :OPEN	VNA 3-116
[SENSE]:CORRECTION:CKIT:USER[1] 2 3 4:COAX WGUIDE :SSLT:SHORT[1] 2	VNA 3-116
[SENSE]:CORRECTION:CKIT:USER[1] 2 3 4:COAX WGUIDE :SSST:SHORT[1] 2 3	VNA 3-117
[SENSE]:CORRECTION:CKIT:USER[1] 2 3 4:COAX WGUIDE:SOLT :SHORT	VNA 3-117
[SENSE]:CORRECTION:COLLECT:ABORT:ALL	VNA 3-118
[SENSE]:CORRECTION:COLLECT[:ACQUIRE]	VNA 3-119
[SENSE]:CORRECTION:COLLECT:ACQUIRE:STATUS?	VNA 3-123
[SENSE]:CORRECTION:COLLECT:CONNECTOR<port_no>	VNA 3-124
[SENSE]:CORRECTION:COLLECT:CTYPE	VNA 3-129
[SENSE]:CORRECTION:COLLECT:TYPE	VNA 3-130
[SENSE:]CORRECTION:COLLECT:EDELAY:DISTANCE	VNA 3-131
[SENSE:]CORRECTION:COLLECT:EDELAY:TIME	VNA 3-132

[:SENSe]:CORRection:COLLect:INTerpolation[:STATe]	VNA 3-132
[:SENSe]:CORRection:COLLect:MEDIum	VNA 3-133
[:SENSe]:CORRection:COLLect:METHod	VNA 3-133
[:SENSe]:CORRection:COLLect:SAVe	VNA 3-133
[:SENSe]:CORRection:COLLect:STATus?	VNA 3-134
[:SENSe]:CORRection:COLLect:STATus:ACCuracy?	VNA 3-134
[:SENSe]:CORRection:COLLect:TYPE	VNA 3-135
[:SENSe]:FREQuency:CENTer	VNA 3-136
[:SENSe]:FREQuency:SPAN	VNA 3-137
[:SENSe]:FREQuency:DSpan?	VNA 3-137
[:SENSe]:FREQuency:TSPAn?	VNA 3-138
[:SENSe]:FREQuency:STARt	VNA 3-139
[:SENSe]:FREQuency:STOP	VNA 3-140
:SENSe<Tr>:FREQuency:DATA?	VNA 3-141
[:SENSe]:RFON[:STATe]	VNA 3-141
:SENSe:ROSCillator[:SOURce]	VNA 3-142
:SENSe:ROSCillator:EXTernal:FREQuency?	VNA 3-142
[:SENSe]:SWEep:IFBW	VNA 3-143
[:SENSe]:SWEep:POINts	VNA 3-144
[:SENSe]:SWEep:TYPE	VNA 3-144
[:SENSe]:TRACe<Tr>:DOMain	VNA 3-145
[:SENSe]:TRACe<Tr>:SELEct	VNA 3-146
[:SENSe]:TRACe<Tr>:SPARams	VNA 3-147
[:SENSe]:TRACe:TOTal	VNA 3-147
[:SENSe]:TRACe:SELEct?	VNA 3-148
:SOURce:POWer	VNA 3-148
:SOURce:CORRection:RVELocity	VNA 3-149
:SOURce:CORRection:RVELocity:CABLoss	VNA 3-149
:SOURce:CORRection:RVELocity:FCUToff	VNA 3-150
:SOURce:CORRection:RVELocity:MEDIum	VNA 3-150

:SOURce:CORRection:RVELOCITY:WGLoss	VNA 3-151
:STATus:OPERation?	VNA 3-152
:SYSTem:MBTemperature?	VNA 3-153
:TRACe[:DATA]?	VNA 3-153
:TRACe:PREamble?	VNA 3-154

Vector Voltmeter Commands 1

:MMEMory:LOAD:STATe	All Modes 4-4
:MMEMory:LOAD:TRACe	All Modes 4-5
:MMEMory:STORe:STATe	All Modes 4-6
:MMEMory:STORe:TRACe	All Modes 4-7
:TRACe:PREamble?	VVM 4-8
[:SENSe]:VVM:FORMat DB VSWR IMPedance	VVM 4-11
[:SENSe]:VVM:MODE CW TABLE	VVM 4-12
[:SENSe]:VVM:PORT 1 2	VVM 4-12
[:SENSe]:VVM:TYPE RETurn INSertion	VVM 4-13
[:SENSe]:VVM:CABLE:SElect 1 2 3 4 5 6 7 8 9 10 11 12	VVM 4-14
[:SENSe]:VVM:FREQuency:CW <freq>	VVM 4-15
[:SENSe]:VVM:REFerence:CLEar	VVM 4-16
[:SENSe]:VVM:REFerence:MEMorize	VVM 4-16
:FETCh:VVM:DATA?	VVM 4-18
:FETCh:VVM:REFerence:DATA?	VVM 4-20

Power Monitor Commands 1

:TRACe:PREamble?	PMon 5-2
:CALCulate:PMONitor:OFFSet	PMon 5-5
:CALCulate:PMONitor:UNITs	PMon 5-6
:CALCulate:PMONitor:RELative[:STATe]	PMon 5-7
:CALCulate:PMONitor:ZERO[:STATe]	PMon 5-8
:FETCh:PMONitor:DATA?	PMon 5-9
:FETCh:PMONitor:RELative:DATA?	PMon 5-10

:FETCh:PMONitor:ZERO:DATA? PMon 5-11

Spectrum Analyzer Commands 1

:ABORt.....	SPA 6-2
:CALCulate:LIMit:ALARm.....	SPA 6-3
:CALCulate:LIMit:CENTer.....	SPA 6-3
:CALCulate:LIMit:ENVELOpe:CREate.....	SPA 6-4
:CALCulate:LIMit:ENVELOpe:OFFSet.....	SPA 6-4
:CALCulate:LIMit:ENVELOpe:POINt.....	SPA 6-5
:CALCulate:LIMit:ENVELOpe:SHAPE.....	SPA 6-5
:CALCulate:LIMit:ENVELOpe:UPDate:X.....	SPA 6-6
:CALCulate:LIMit:ENVELOpe:UPDate:Y.....	SPA 6-6
:CALCulate:LIMit:FAIL?.....	SPA 6-6
:CALCulate:LIMit:LOWer:ALARm.....	SPA 6-7
:CALCulate:LIMit:LOWer:FAIL?.....	SPA 6-7
:CALCulate:LIMit:LOWer:POINt?.....	SPA 6-7
:CALCulate:LIMit:LOWer[:STATe].....	SPA 6-8
:CALCulate:LIMit:LTYPe.....	SPA 6-9
:CALCulate:LIMit:MIRRor.....	SPA 6-9
:CALCulate:LIMit:POINt:ADD.....	SPA 6-9
:CALCulate:LIMit:POINt:DELete.....	SPA 6-10
:CALCulate:LIMit:POINt:LEFT.....	SPA 6-10
:CALCulate:LIMit:POINt:RIGHT.....	SPA 6-10
:CALCulate:LIMit:POINt:X.....	SPA 6-11
:CALCulate:LIMit:POINt:Y.....	SPA 6-12
:CALCulate:LIMit:POINt?.....	SPA 6-12
:CALCulate:LIMit:TYPe.....	SPA 6-13
:CALCulate:LIMit:UPPer:ALARm.....	SPA 6-13
:CALCulate:LIMit:UPPer:FAIL?.....	SPA 6-14
:CALCulate:LIMit:UPPer:POINt?.....	SPA 6-14
:CALCulate:LIMit:UPPer[:STATe].....	SPA 6-14

:CALCulate:LIMit:VALue	SPA 6-15
:CALCulate:LIMit:VERTical:ADD	SPA 6-15
:CALCulate:LIMit:X	SPA 6-16
:CALCulate:LIMit:Y	SPA 6-17
:CALCulate:LIMit[:SET]:DEFault	SPA 6-17
:CALCulate:LIMit[:STATe]	SPA 6-18
:CALCulate:MARKer:AOFF	SPA 6-18
:CALCulate:MARKer:PEAK:THReshold	SPA 6-19
:CALCulate:MARKer:TABLE:DATA?	SPA 6-19
:CALCulate:MARKer:TABLE[:STATe]	SPA 6-20
:CALCulate:MARKer{1 2 3 4 5 6}:DELTA:NOISe[:STATe]	SPA 6-21
:CALCulate:MARKer{1 2 3 4 5 6}:DELTA:X	SPA 6-22
:CALCulate:MARKer{1 2 3 4 5 6}:DELTA:Y?	SPA 6-22
:CALCulate:MARKer{1 2 3 4 5 6}:DELTA[:SET]:SPAN	SPA 6-23
:CALCulate:MARKer{1 2 3 4 5 6}:DELTA[:STATe]	SPA 6-23
:CALCulate:MARKer{1 2 3 4 5 6}:FCOunt[:STATe]	SPA 6-24
:CALCulate:MARKer{1 2 3 4 5 6}:FIXed[:STATe]	SPA 6-24
:CALCulate:MARKer{1 2 3 4 5 6}:MAXimum	SPA 6-25
:CALCulate:MARKer{1 2 3 4 5 6}:MAXimum:LEFT	SPA 6-25
:CALCulate:MARKer{1 2 3 4 5 6}:MAXimum:RIGHT	SPA 6-25
:CALCulate:MARKer{1 2 3 4 5 6}:NOISe[:STATe]	SPA 6-26
:CALCulate:MARKer{1 2 3 4 5 6}:X	SPA 6-27
:CALCulate:MARKer{1 2 3 4 5 6}:Y?	SPA 6-27
:CALCulate:MARKer{1 2 3 4 5 6}[:SET]:CENTer	SPA 6-28
:CALCulate:MARKer{1 2 3 4 5 6}[:SET]:RLEVel	SPA 6-28
:CALCulate:MARKer{1 2 3 4 5 6}[:STATe]	SPA 6-28
:CONFigure:ACPower	SPA 6-29
:CONFigure:CHPower	SPA 6-30
:CONFigure:FSTRength	SPA 6-30
:CONFigure:OBWidth	SPA 6-31

:CONFigure?	SPA 6-31
:DISPlay:GRID	SPA 6-32
:DISPlay:WINDow:TRACe:Y[:SCALe]:PDIVision	SPA 6-32
:DISPlay:WINDow:TRACe:Y[:SCALe]:RLEVel	SPA 6-33
:DISPlay:WINDow:TRACe:Y[:SCALe]:RLEVel:OFFSet	SPA 6-33
:FETCh:ACPower?	SPA 6-34
:FETCh:CHPower:CHPower?	SPA 6-34
:FETCh:CHPower:DENSity?	SPA 6-35
:FETCh:CHPower?	SPA 6-35
:FETCh:OBWidth:FREQuency?	SPA 6-36
:FETCh:OBWidth?	SPA 6-36
:FORMat[:READings][:DATA]	SPA 6-38
:INITiate:CONTinuous	SPA 6-39
:INITiate[:IMMediate]	SPA 6-40
:MEASure:ACPower?	SPA 6-41
:MEASure:CHPower:CHPower?	SPA 6-42
:MEASure:CHPower:DENSity?	SPA 6-43
:MEASure:CHPower?	SPA 6-44
:MEASure:OBWidth?	SPA 6-45
:MMEMory:LOAD:LIMit	SPA 6-46
:MMEMory:LOAD:STATe	SPA 6-46
:MMEMory:LOAD:TRACe	SPA 6-47
:MMEMory:STORE:LIMit	SPA 6-48
:MMEMory:STORE:STATe	SPA 6-48
:MMEMory:STORE:TRACe	SPA 6-49
:READ:ACPower?	SPA 6-50
:READ:CHPower:DENSity?	SPA 6-51
:READ:CHPower?	SPA 6-51
:READ:OBWidth?	SPA 6-52
:TRACe:COPIY	SPA 6-53

:TRACe:EXCHange TRACE2,TRACE3	SPA 6-53
:TRACe:PREamble?	SPA 6-54
:TRACe[:DATA].	SPA 6-59
:TRACe{1 2 3}:DISPlay[:STATe]	SPA 6-60
:TRACe{1 2 3}:WRITe[:STATe]	SPA 6-61
:TRACe1:OPERation.	SPA 6-62
:TRACe2:OPERation.	SPA 6-63
:TRACe3:OPERation.	SPA 6-64
:TRIGger[:SEQuence]:SOURce	SPA 6-65
:TRIGger[:SEQuence]:VIDeo:DELay	SPA 6-66
:TRIGger[:SEQuence]:VIDeo:LEVel	SPA 6-66
:UNIT:POWER	SPA 6-67
[:SENSe]:ACPower:BANDwidth BWIDth:ADJacent.	SPA 6-68
[:SENSe]:ACPower:BANDwidth BWIDth:MAIN.	SPA 6-68
[:SENSe]:ACPower:BANDwidth BWIDth:SPACing	SPA 6-69
[:SENSe]:ACPower:STATe	SPA 6-69
[:SENSe]:AVERage:COUNT	SPA 6-70
[:SENSe]:AVERage:TYPE	SPA 6-71
[:SENSe]:BANDwidth BWIDth:VIDeo	SPA 6-72
[:SENSe]:BANDwidth BWIDth:VIDeo:AUTO	SPA 6-72
[:SENSe]:BANDwidth BWIDth:VIDeo:RATio	SPA 6-73
[:SENSe]:BANDwidth BWIDth:VIDeo:TYPE	SPA 6-73
[:SENSe]:BANDwidth BWIDth[:RESolution]	SPA 6-74
[:SENSe]:BANDwidth BWIDth[:RESolution]:AUTO	SPA 6-74
[:SENSe]:BANDwidth BWIDth[:RESolution]:RATio.	SPA 6-75
[:SENSe]:CHPower:BANDwidth BWIDth:INTegration	SPA 6-75
[:SENSe]:CHPower:STATe.	SPA 6-76
[:SENSe]:CORRection:IMPedance[:INPut]:OFFSet	SPA 6-76
[:SENSe]:CORRection:IMPedance[:INPut][:MAGNitude]	SPA 6-77
[:SENSe]:DETector[:FUNction]	SPA 6-78

[:SENSe]:FREQUency:CENTer. SPA 6-79

[:SENSe]:FREQUency:SIGStandard:CHANnel SPA 6-79

[:SENSe]:FREQUency:SIGStandard:NAME. SPA 6-80

[:SENSe]:FREQUency:SPAN SPA 6-80

[:SENSe]:FREQUency:SPAN:FULL SPA 6-81

[:SENSe]:FREQUency:SPAN:PREVious SPA 6-81

[:SENSe]:FREQUency:STARt SPA 6-82

[:SENSe]:FREQUency:STEP[:INCRement] SPA 6-82

[:SENSe]:FREQUency:STOP. SPA 6-83

[:SENSe]:FSTRength:ANTenna SPA 6-84

[:SENSe]:FSTRength:STATe SPA 6-84

[:SENSe]:OBWidth:METHOD SPA 6-85

[:SENSe]:OBWidth:PERCent SPA 6-85

[:SENSe]:OBWidth:STATe SPA 6-86

[:SENSe]:OBWidth:XDB SPA 6-86

[:SENSe]:POWER[:RF]:ATTenuation SPA 6-87

[:SENSe]:POWER[:RF]:ATTenuation:AUTO SPA 6-87

[:SENSe]:POWER[:RF]:GAIN[:STATe] SPA 6-88

[SENSe]:SWEep:MODE FAST | PERFormance | NOFFt. SPA 6-88

[:SENSe]:SWEep:TIME[:LLIMit] SPA 6-89

[:SENSe]:SWEep:TIME:ACTual? SPA 6-89

AM/FM/PM Commands 1

:CALCulate:MARKer{1 | 2 | 3 | 4 | 5 | 6}[:STATe] OFF | ON | 0 | 1 AM/FM/PM 7-2

:CALCulate:MARKer{1 | 2 | 3 | 4 | 5 | 6}[:STATe]? AM/FM/PM 7-2

:CALCulate:MARKer{1 | 2 | 3 | 4 | 5 | 6}:DELTA[:STATe] OFF | ON | 0 | 1

:CALCulate:MARKer{1 | 2 | 3 | 4 | 5 | 6}:DELTA[:STATe]? AM/FM/PM 7-2

:CALCulate:MARKer{1 | 2 | 3 | 4 | 5 | 6}:DELTA:X <x-parameter>

:CALCulate:MARKer{1 | 2 | 3 | 4 | 5 | 6}:DELTA:X? AM/FM/PM 7-3

:CALCulate:MARKer{1 | 2 | 3 | 4 | 5 | 6}:DELTA:Y? AM/FM/PM 7-3

:CALCulate:MARKer{1 | 2 | 3 | 4 | 5 | 6}[:SET]:CENTer AM/FM/PM 7-3

SCPI Commands by Mode

:CALCulate:MARKer{1|2|3|4|5|6};[:SET]:RLEVel AM/FM/PM 7-4
:CALCulate:MARKer{1|2|3|4|5|6};X <x-parameter>
:CALCulate:MARKer{1|2|3|4|5|6};X? AM/FM/PM 7-4
:CALCulate:MARKer{1|2|3|4|5|6};Y? AM/FM/PM 7-5
:CALCulate:MARKer:AOFF AM/FM/PM 7-5
:CALCulate:MARKer:TABLE[:STATe] OFF|ON|0|1
:CALCulate:MARKer:TABLE[:STATe]? AM/FM/PM 7-5
:DISPlay:WINDow:TRACe:Y[:SCALe]:PDIVision <rel ampl>
:DISPlay:WINDow:TRACe:Y[:SCALe]:PDIVision? AM/FM/PM 7-6
:DISPlay:WINDow:TRACe:Y:AFPanalyzer:PWR:OFFSet <rel ampl>
:DISPlay:WINDow:TRACe:Y:AFPanalyzer:PWR:OFFSet? AM/FM/PM 7-6
:FORMat[:READings][:DATA] ASCii|INTeger,32|REAL,[<length>]
:FORMat[:READings][:DATA]? AM/FM/PM 7-7
:INITiate[:IMMEDIATE] AM/FM/PM 7-9
:INITiate:CONTInuous OFF|ON|0|1
:INITiate:CONTInuous? AM/FM/PM 7-9
:MMEMory:DELeTe <file name> AM/FM/PM 7-10
:MMEMory:LOAD:STATe <integer>,<file name> AM/FM/PM 7-10
:MMEMory:LOAD:TRACe <integer>,<file name> AM/FM/PM 7-11
:MMEMory:STORE:STATe <integer>,<file name> AM/FM/PM 7-11
:MMEMory:STORE:TRACe <integer>,<file name>. AM/FM/PM 7-12
:TRACe[:DATA]? AM/FM/PM 7-13
[:SENSe]:AFPanalyzer:AVERAge:COUNt <avg count>
[:SENSe]:AFPanalyzer:AVERAge:COUNt? AM/FM/PM 7-14
[:SENSe]:AFPanalyzer:DEMod:DATA? AM/FM/PM 7-14
[:SENSe]:AFPanalyzer:DEMod:MODE RFSP|AFSP|AFWV|SUMMary
[:SENSe]:AFPanalyzer:DEMod:MODE? AM/FM/PM 7-14
[:SENSe]:AFPanalyzer:DEMod:TYPE AM|FM|PM
[:SENSe]:AFPanalyzer:DEMod:TYPE? AM/FM/PM 7-15
[:SENSe]:AFPanalyzer:FM:SCALe <percentage>
[:SENSe]:AFPanalyzer:FM:SCALe? AM/FM/PM 7-15
[:SENSe]:AFPanalyzer:IFBW <freq>
[:SENSe]:AFPanalyzer:IFBW? AM/FM/PM 7-15
[:SENSe]:AFPanalyzer:IFBW:AUTO 0|1

[:SENSE]:AFPanalyzer:IFBW:AUTO?	AM/FM/PM 7-16
[:SENSE]:AFPanalyzer:PM:SCALE <Radians>	
[:SENSE]:AFPanalyzer:PM:SCALE?	AM/FM/PM 7-16
[:SENSE]:AFPanalyzer:RFSpectrum:DATA?	AM/FM/PM 7-16
[:SENSE]:AFPanalyzer:SPAN <freq>	
[:SENSE]:AFPanalyzer:SPAN?	AM/FM/PM 7-17
[:SENSE]:AFPanalyzer:SWEep:TIME <time>	
[:SENSE]:AFPanalyzer:SWEep:TIME?	AM/FM/PM 7-17
[:SENSE]:AFPanalyzer:SUMMary:DATA?	AM/FM/PM 7-17
[:SENSE]:FREQuency:CENTer <freq>	
[:SENSE]:FREQuency:CENTer?	AM/FM/PM 7-18
[:SENSE]:FREQuency:SIGStandard:CHANnel <number>	
[:SENSE]:FREQuency:SIGStandard:CHANnel?	AM/FM/PM 7-18
[:SENSE]:FREQuency:SIGStandard:NAME <string>	
[:SENSE]:FREQuency:SIGStandard:NAME?	AM/FM/PM 7-18
[:SENSE]:FREQuency:SPAN <freq>	
[:SENSE]:FREQuency:SPAN?	AM/FM/PM 7-19
[:SENSE]:FREQuency:SPAN:FULL	AM/FM/PM 7-19
[:SENSE]:FREQuency:SPAN:MINimum	AM/FM/PM 7-19
[:SENSE]:FREQuency:SPAN:PREVious	AM/FM/PM 7-19
[:SENSE]:FREQuency:STEP[:INCRement] <freq>	
[:SENSE]:FREQuency:STEP[:INCRement]?	AM/FM/PM 7-20
[:SENSE]:OBWidth:METHod XDB PERCent	
[:SENSE]:OBWidth:METHod?	AM/FM/PM 7-20
[:SENSE]:OBWidth:PERCent <percentage>	
[:SENSE]:OBWidth:PERCent?	AM/FM/PM 7-21
[:SENSE]:OBWidth:XDB <rel ampl>	
[:SENSE]:OBWidth:XDB?	AM/FM/PM 7-21

All Mode Commands 1

:INSTrument:CATalog:FULL?	All Modes 8-2
:INSTrument:NSElect	All Modes 8-2
:INSTrument[::SElect]	All Modes 8-4
:MMEMory:DATA?	All Modes 8-6

SCPI Commands by Mode

:MMEMory:DELeTe.	All Modes 8-6
:MMEMory:MSIS	All Modes 8-7
:MMEMory:MSIS:COPIY.	All Modes 8-7
:MMEMory:MSIS:DESTination	All Modes 8-8
:MMEMory:STORe:JPEg.	All Modes 8-9
:SYSTem:OPTions?	All Modes 8-10
:SYSTem:PRESet	All Modes 8-10
[:SENSE]:GPS	All Modes 8-11
[:SENSE]:GPS:RESet	All Modes 8-11
[:SENSE]:GPS:CURRent?	All Modes 8-11
[:SENSE]:GPS:VOLTage.	All Modes 8-12
:FETCh:GPS?	All Modes 8-13

Anritsu



Anritsu utilizes recycled paper and environmentally conscious inks and toner.

Anritsu Company
490 Jarvis Drive
Morgan Hill, CA 95037-2809
USA
<http://www.anritsu.com>